

5000B-5600B

LOAD MEASURING WEDGE SOCKET

Load measuring wedge socket designed to measure the force applied on a cable.

Model 5000B



Features

- CE certified for hoisting applications
- Sturdy design
- Load-pin : stainless steel
- Protection IP 65 (... IP68 : see options)
- Easy to install
- Cable length: 6m
- Complete range of "CE" certified electronics and load limiters
- Available options (non exhaustive list):
 - o ATEX intrinsic safety Ex II 1GD Ex ia IIC T6 or T4 Ga Ex ia IIIC T80 C Da
 - o amplified output (V or mA)
 - o protection IP68

Applications

The SENSY's load pin 5000B is perfectly designed to the following applications :

SL - HOIST : Hoisting devices and crane's security in combination with a load limitation electronics

Capacities

5000B : from 0.3 to 20 t (for cables diameter of 9 to 32 mm)

5600B : from 0.3 to 8 t (for cables diameter of 9 to 22 mm)

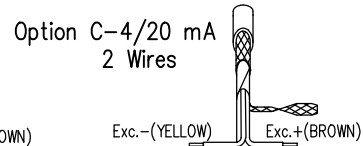
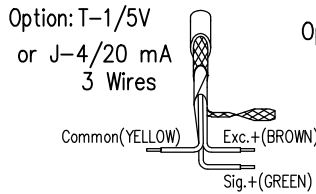
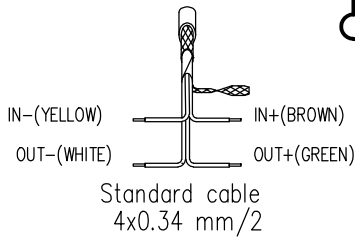
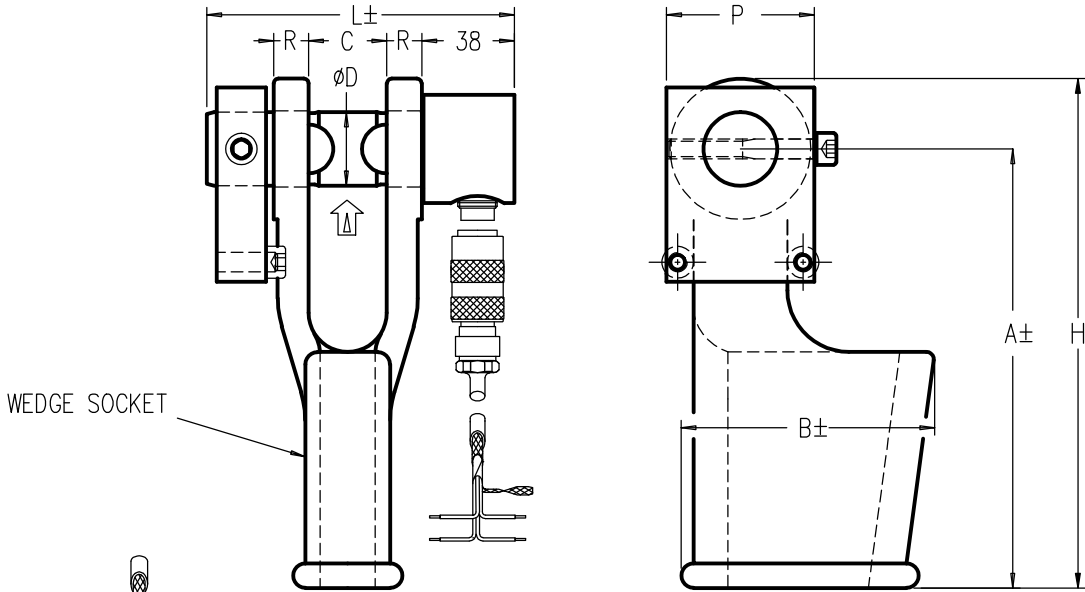
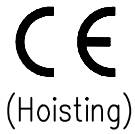
Specifications	SL - HOIST	
Repeatability error	< ± 0.25	% F.S.
Creep error over 30 min.	< ± 0.3	% F.S.
Zero shift after loading	< ± 0.5	% F.S.
Reference temperature	23	C
Nominal temperature range	-10...+45	C
Service temperature range	-30...+70	C
Storage temperature range	-50...+85	C
Temperature coefficient of the sensitivity	< ± 0.2	% F.S./10 C
Temperature coefficient of zero signal	< ± 0.2	% F.S./10 C
Zero balance	± 0.02	mV/V
Input resistance	352 ± 2	Ohm
Output resistance	352 ± 2	Ohm
Insulation resistance (50V)	> 5000	Megaohm
Reference excitation voltage	10	VDC
Nominal range of excitation voltage	3..12	VDC
Nominal sensitivity	1	mV/V
Safe load limit	200	% F.S.
Breaking load	> 500	% F.S.
Static lateral force limit	150	% F.S.
Permissible dynamic loading	75	% F.S.

F.S.: full scale - Specifications subject to change without notice

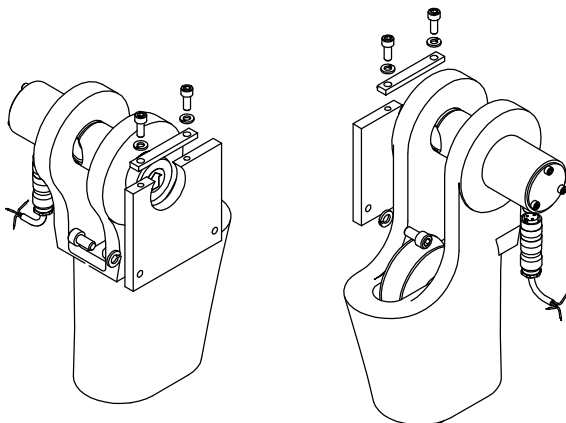
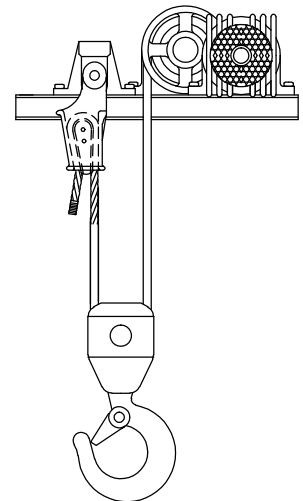
LOAD CELL

model 5000B axle in stainless steel
LOAD MEASURING WEDGE SOCKET

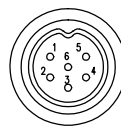
Range : 0.3 – 25t. $\pm 1\text{mV/V}$ IP65
Cable length : 6 m



SIZE (Ø of cable)	CAPACITIES	A±	B	C	ØD h9	H±	L±	R
3/8"	9–10 mm	0.3–2 t.	145	65	20.6	20	167	108
1/2"	11–13 mm	0.5–3 t.	146	87.5	25.5	25	173	118
5/8"	14–16 mm	0.75–5 t.	178	103	31.8	30	207	125
3/4"	18–19 mm	1–6 t.	215	122	38.1	35	248	139
7/8"	20–22 mm	1.5–8 t.	240	139	44.5	41.4	283	143
1"	24–26 mm	4–12.5 t.	276	155	50.8	50	324	160
1 1/8"	28 mm	5–16 t.	313	171	57.2	57	365	172
1 1/4"	30–32 mm	8–20 t.	351	187	63.5	63.5	406	185
1 3/8"	34–36 mm	8–20 t.	400	–	69	64	474	190
1 1/2"	35–39 mm	10–25 t.	450	–	76	70	530	200



FEMALE-MALE CONNECTOR DIN 45322



- CONTACT N°
- 1 Excitation - Yellow
 - 2 Output + Green
 - 3 Output - White
 - 4 Excitation + Brown
 - 5 Sense - Grey
 - 6 Sense + Pink
- } Standard cable

Cable screen not connected to transducer
Option f : Cable screen connected to transducer
(6 wires cable in option)

Cable screen connected to transducer for option t,C,J



www.sensy.com

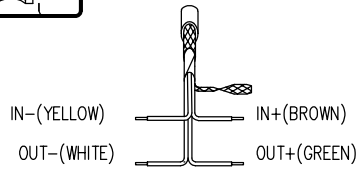
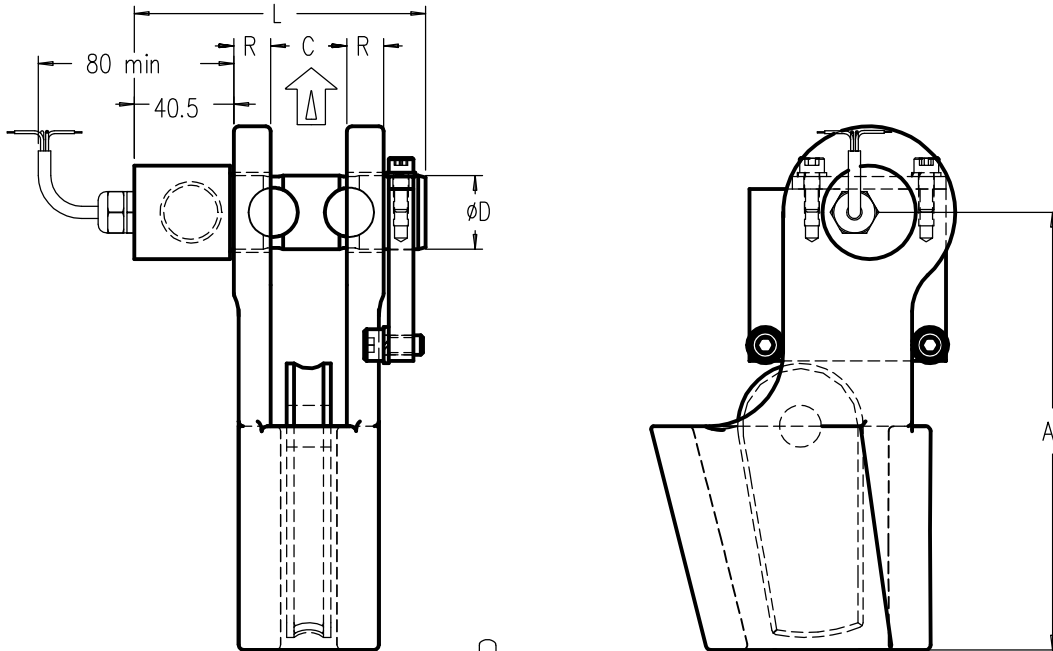
LOAD CELL

CE
(Hoisting)

model 5600B axle in stainless steel
LOAD PIN INSIDE OPEN WEDGE SOCKET

Range : 0.3 – 8 t. $\pm 1\text{mV/V}$ IP65

Cable length : 6 m



Standard cable
4x0.34 mm/2

Cable screen not connected to transducer
Option f : Cable screen connected to transducer
(6 wires cable in option)

SIZE (Ø of cable)	CAPACITIES	A±	C	ØD h9	L±	R
3/8"	9-10 mm	0.3-2 t.	145	20.6	20	110
1/2"	11-13 mm	0.5- 3 t.	146	25.5	25	120
5/8"	14-16 mm	0.75-5 t.	178	31.8	30	127
3/4"	18-19 mm	1-6 t.	215	38.1	35	141
7/8"	20-22 mm	1.5- 8 t.	240	44.5	41	145

