



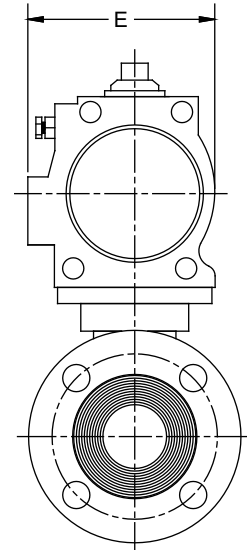
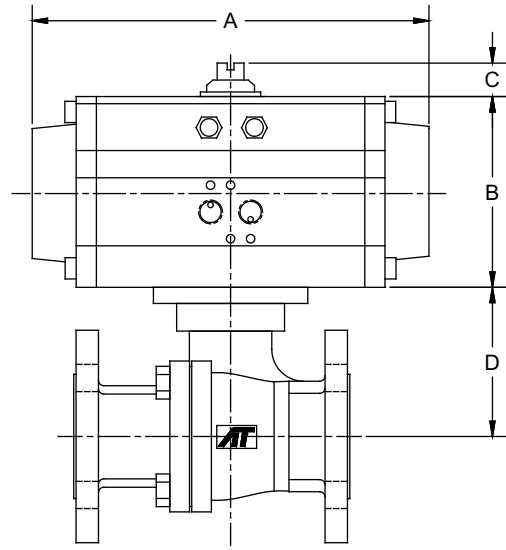
**Pneumatic  
Spring Return  
Automated  
Ball Valve Package**  
Series FD9  
ANSI 150#  
Flanged Ball Valve  
Direct Mount

- Firesafe
- Full Port Valve
- ANSI Class 150#
- Available 1/2" – 6"
- 316SS or WCB Body
- 316SS Ball & Stem
- Belleville Washers
- Chevron Packing
- RTFE Seats Standard
- Pyramidal Stem Design

**API 607 - 4th Edition  
CERTIFIED**



**150# Flanged  
Firesafe Tested to API-607  
Direct Mount**



**DIMENSIONS (IN)**

VALVE SIZE	A	B	C	D	E	VALVE Cv
1/2"	7.95	3.43	0.79	1.84	3.29	15
3/4"	7.95	3.43	0.79	2.02	3.29	45
1"	9.29	4.49	0.79	2.31	4.41	85
1-1/2"	10.87	4.88	0.79	3.51	4.82	275
2"	10.87	4.88	0.79	3.80	4.82	450
2-1/2"	13.90	6.18	0.79	4.57	6.04	700
3"	13.90	6.18	0.79	5.22	6.04	1100
4"	15.16	6.93	1.18	6.18	6.69	2200
6"	24.37	10.12	1.18	8.28	9.29	5150

DIMENSIONS SHOWN ARE FOR ASSEMBLIES SIZED FOR 80 PSI SUPPLY

**SERIES FD9 150# Flanged Direct Mount Firesafe**

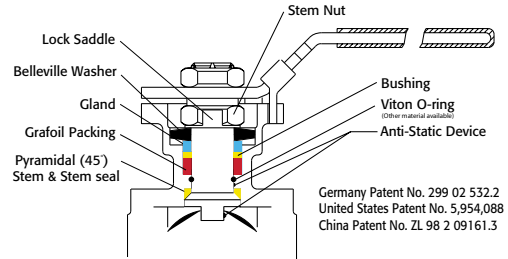
SIZED FOR 80 psi AIR SUPPLY	
SIZE	MODEL
1/2"	FD9-F1-050/2R2S-XX
3/4"	FD9-F1-075/2R2S-XX
1"	FD9-F1-100/2R3S-XX
1-1/2"	FD9-F1-150/2R4S-XX
2"	FD9-F1-200/2R4S-XX
2-1/2"	FD9-F1-250/2R6S-XX
3"	FD9-F1-300/2R6S-XX
4"	FD9-F1-400/2R7S-XX
6"	FD9-F1-600/2R0S-XX

SIZED FOR 60 psi AIR SUPPLY	
SIZE	MODEL
1/2"	FD9-F1-050/2R2S-XX
3/4"	FD9-F1-075/2R3S-XX
1"	FD9-F1-100/2R3S-XX
1-1/2"	FD9-F1-150/2R4S-XX
2"	FD9-F1-200/2R5S-XX
2-1/2"	FD9-F1-250/2R6S-XX
3"	FD9-F1-300/2R6S-XX
4"	FD9-F1-400/2R7S-XX
6"	FD9-F1-600/2R0S-XX

OPTIONS			
DESCRIPTION	PART NO. SUFFIX	DESCRIPTION	PART NO. SUFFIX
NEMA 4 Solenoid	(A)	NEMA 4 Limit Switch (2) spdt	(A)
NEMA 7 Solenoid	(B)	NEMA 7 Limit Switch (2) spdt	(B)

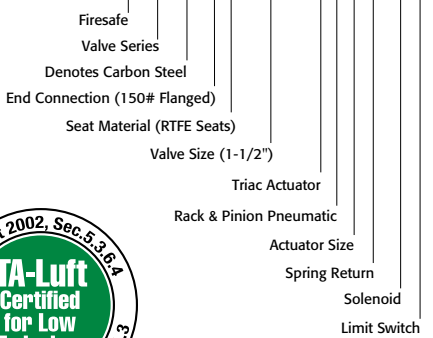
Other options available - call for details  
Actuators are sized based on clean/clear fluid.

See valve part number matrix for complete part number and options.



Germany Patent No. 299 02 532.2  
United States Patent No. 5,954,088  
China Patent No. ZL 98 2 09161.3

**SAMPLE PART #  
FD9C-F1-150/2R3S-XX**



Triac Division  
11363 Deerfield Rd.  
Cincinnati, Ohio 45242

PHONE (513) 247-5465  
FAX (513) 247-5462  
e-mail: sales@a-tcontrols.com  
www.a-tcontrols.com