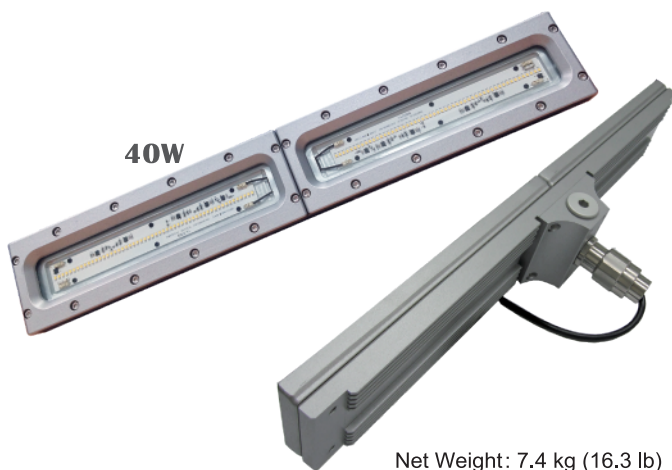


L1319

Universal Explosion-proof LED Lighting



40W

Net Weight: 7.4 kg (16.3 lb)

Protection

- Ex d IIC T6 Gb
- Ex tb IIIC T85°C Db

Standards

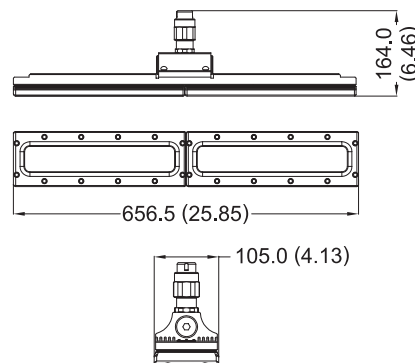
- JNIOSH-TR-46-1
- JNIOSH-TR-46-2
- JNIOSH-TR-46-9
- IEC 60079-0
- IEC 60079-1
- IEC 60079-31

Light Features

- Die Cast aluminum fixture for LED heat dissipation and thermal control.
- Applicable to high temperature environment
- Suitable for tunnel installation

Technical Data

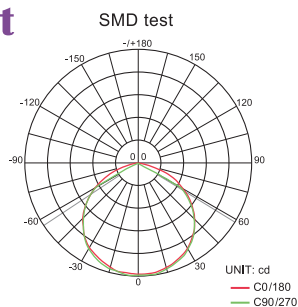
Rated Voltage ($\pm 10\%$)	110V / 220V AC	
Watts ($\pm 10\%$)	40W	
Amps	40W 110V: 0.36A, 220V: 0.18A	
Color of LED Light	3000K (Warm White) / 5000K (Cool White)	
Ambient Temperature	-40°C ~ +55°C, T6	
Power Factor	$\cos \geq 0.9$	
CRI	Cool White ≥ 70 / Warm White ≥ 80	
Lumen ($\pm 10\%$)	SMD	40W
	3000K	3600lm
	5000K	4000lm
Beam Angle	X-116° / Y-113°	
Frequency	50 / 60 Hz	
Degree of Protection	IP68 / NEMA 6P	
Material	<ul style="list-style-type: none"> • Enclosure: Aluminum alloy • Glass: Tempered glass 	
LED Service Life	60,000 hrs	
Entrance Thread	3 × M25	



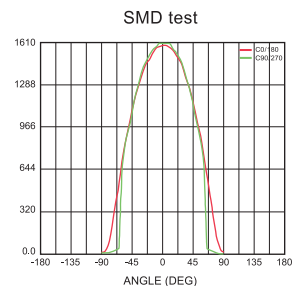
Dimension in Millimeters (inches)

Optical Report

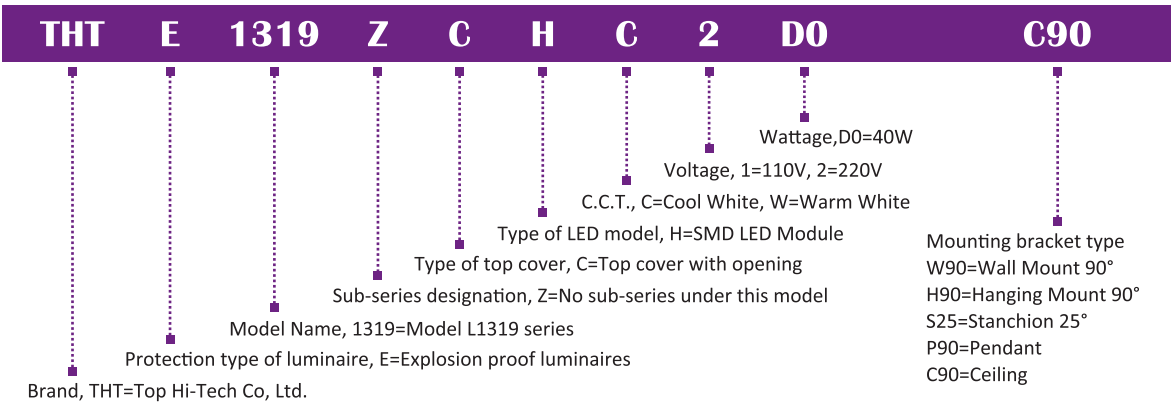
Polar Luminous Intensity Distribution



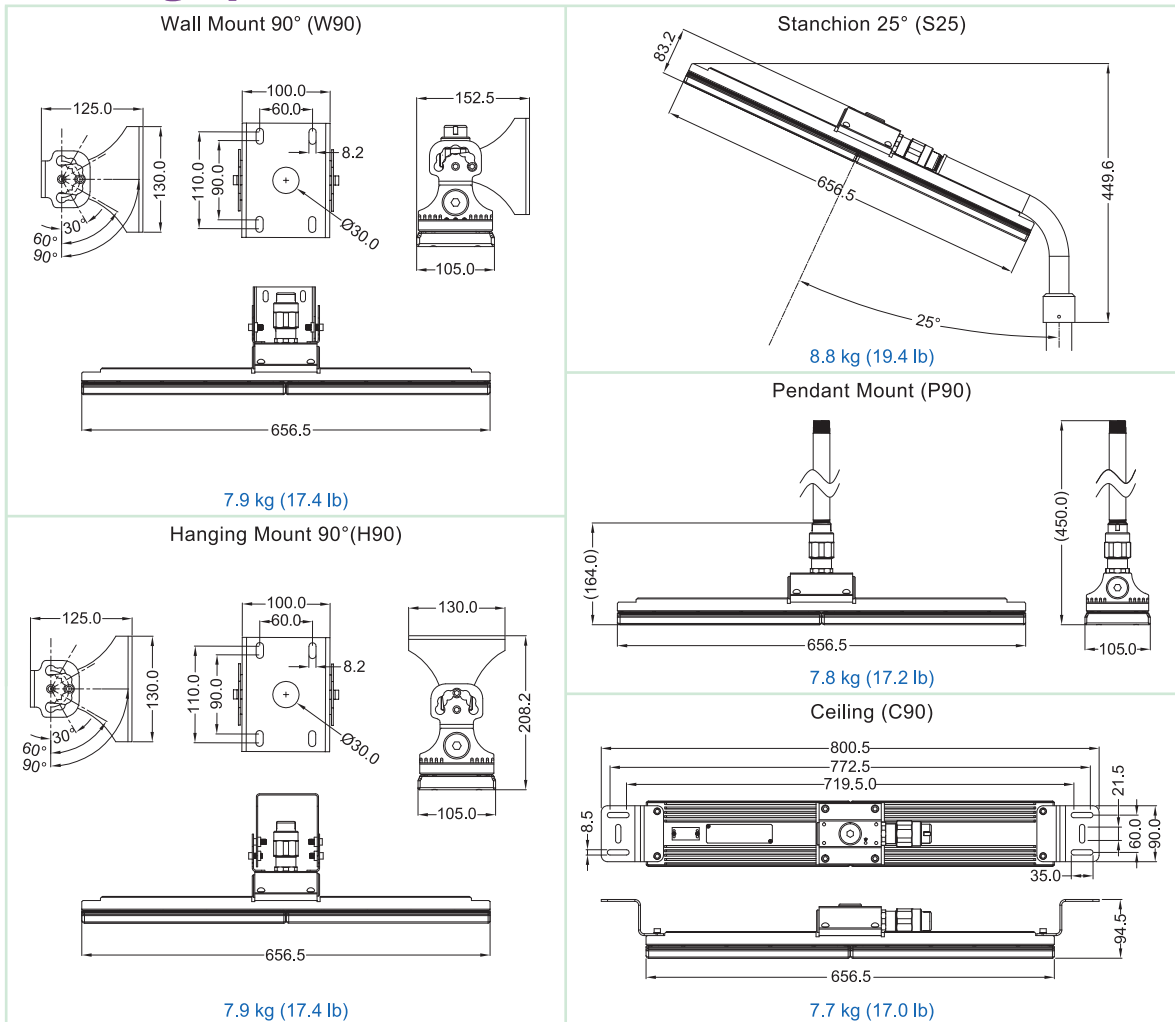
Luminous Intensity Distribution Diagram



Model Code



Mounting Option & Dimensions (All in mm)



Applicable Area

- Oil Refinery Complex
- Petrochemical Complex
- Painting Facility
- Transporting Nature Gas
- Transporting Liquefied Petroleum Gas
- Offshore Platform (Oil and Natural Gas)