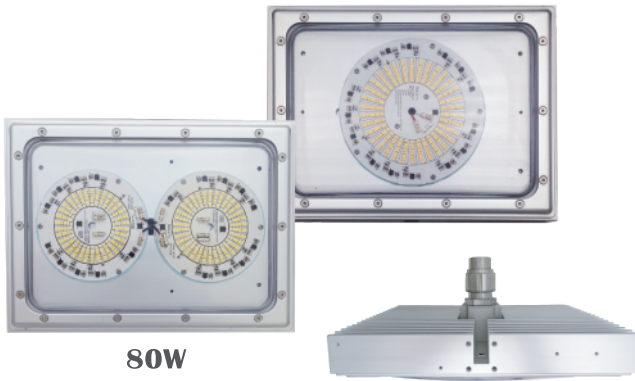


# L1403AS

## Hazardous Location LED Lighting



80W

Net Weight: 5.0 kg (11.0 lb)



### Protection

- Ex nR IIC T5 Gc
- Ex tb IIIC T100°C Db
- ⓂII 3 G Ex nR IIC T5 Gc
- ⓂII 2 D Ex tb IIIC T100°C Db

### Standards

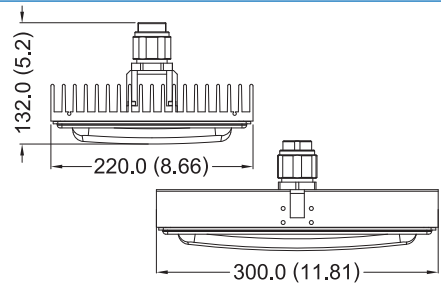
- IEC 60079-0
- IEC 60079-15
- IEC 60079-31
- EN 60079-0
- EN 60079-15
- EN 60079-31

### Light Features

- Higher protection grade - IP68
- Light weight and compact size
- A perfect street light product for hazardous location

## Technical Data

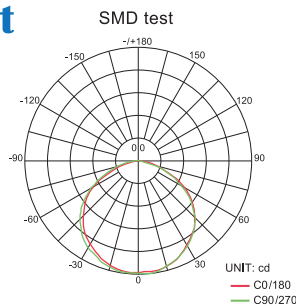
Rated Voltage (±10%)	110V / 220V / 277V AC				
Watts (±10%)	65W / 75W / 80W / 95W				
Amps	65W 110V: 0.59A, 220V: 0.30A, 277V: 0.23A / 75W 110V: 0.68A, 220V: 0.34A, 277V: 0.27A / 80W 110V: 0.73A, 220V: 0.36A, 277V: 0.29A / 95W 110V: 0.86A, 220V: 0.43A, 277V: 0.34A				
Color of LED Light	3000K (Warm White) / 5000K (Cool White)				
Ambient Temperature	-25°C ~ +55°C, T5				
Power Factor	cos ≥ 0.9				
CRI	Cool White ≥ 70 / Warm White ≥ 80				
Lumen (±10%)	SMD	65W	75W	80W	95W
	3000K	5850lm	6750lm	7200lm	8550lm
	5000K	6500lm	7500lm	8000lm	9500lm
Beam Angle	X-116° / Y-115°				
Frequency	50 / 60 Hz				
Degree of Protection	IP68 / NEMA 6P				
Material	• Enclosure • Cover	Aluminum alloy PC Cover			
LED Service Life	60,000 hrs				
Entrance Thread	1 × M25				



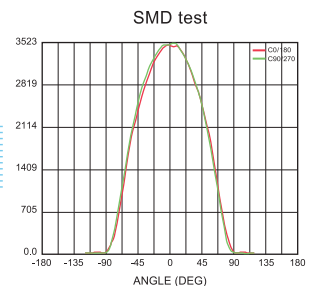
Dimension in Millimeters (inches)

## Optical Report

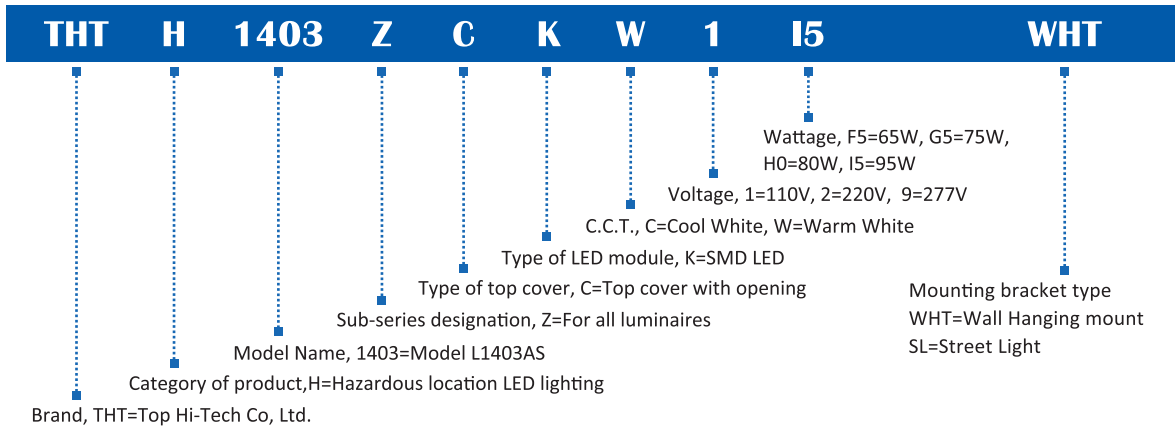
Polar Luminous Intensity Distribution



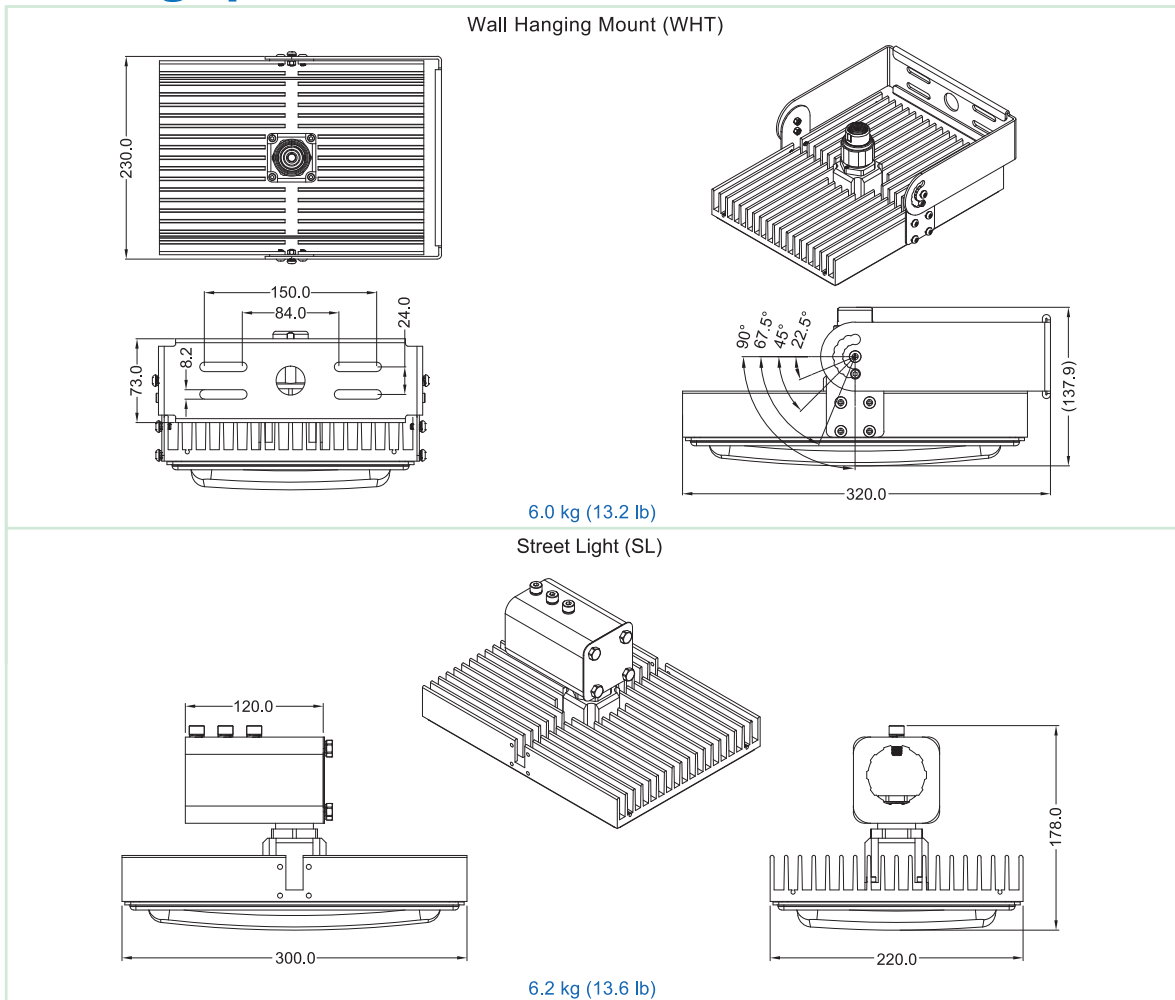
Luminous Intensity Distribution Diagram



## Model Code



## Mounting Option & Dimensions (All in mm)



### Applicable Area

- Oil Refinery Complex
- Painting Facility
- Transporting Liquefied
- Offshore Platform
- Petrochemical Complex
- Transporting Nature Gas
- Petroleum Gas
- (Oil and Natural Gas)