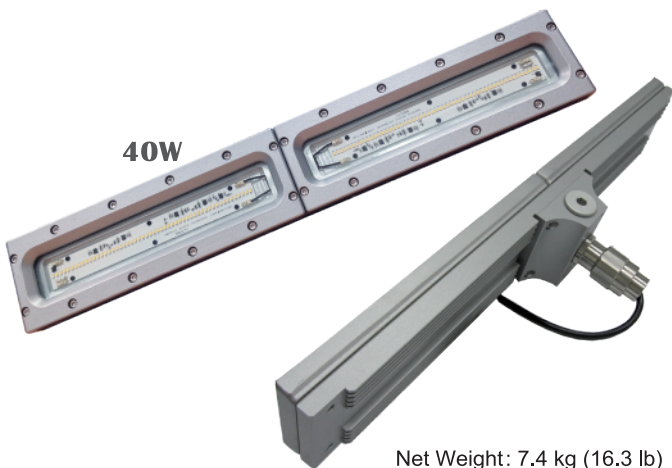




L1319

Universal Explosion-proof LED Lighting



40W

Net Weight: 7.4 kg (16.3 lb)

Zone 1

Zone 2

Zone 21

Zone 22

IP68

NEMA 6P

Protection

- Ex d IIC T6 Gb
- Ex tb IIIC T85°C Db

Standards

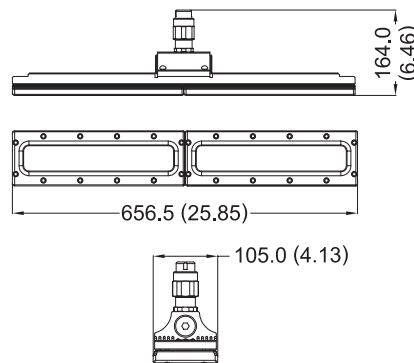
- CNS 3376-0
- CNS 3376-1
- IEC60079-31

Light Features

- Die Cast aluminum fixture for LED heat dissipation and thermal control.
- Salt Spray 1000 hrs passed
- Applicable to high temperature environment
- Suitable for tunnel installation

Technical Data

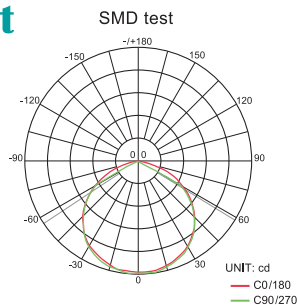
Rated Voltage (±10%)	110V / 220V / 277V AC		
Watts (±10%)	40W / 60W		
Amps	40W 110V: 0.36A, 220V: 0.18A, 277V: 0.14A 60W 110V: 0.55A, 220V: 0.27A, 277V: 0.22A		
Color of LED Light	3000K (Warm White) / 5000K (Cool White)		
Ambient Temperature	-20°C ~ +55°C, T6		
Power Factor	cos ≥ 0.9		
CRI	Cool White ≥ 70 / Warm White ≥ 80		
Lumen (±10%)	SMD	40W	60W
	3000K	3600lm	5550lm
	5000K	4000lm	6044lm
Beam Angle	X-116° / Y-113°		
Frequency	50 / 60 Hz		
Degree of Protection	IP68 / NEMA 6P		
Material	<ul style="list-style-type: none"> • Enclosure Aluminum alloy • Glass Tempered glass 		
LED Service Life	60,000 hrs		
Entrance Thread	3 × M25		



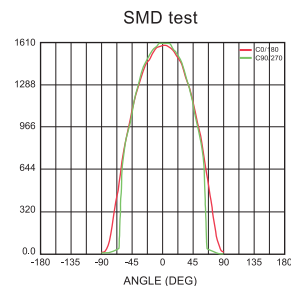
Dimension in Millimeters (inches)

Optical Report

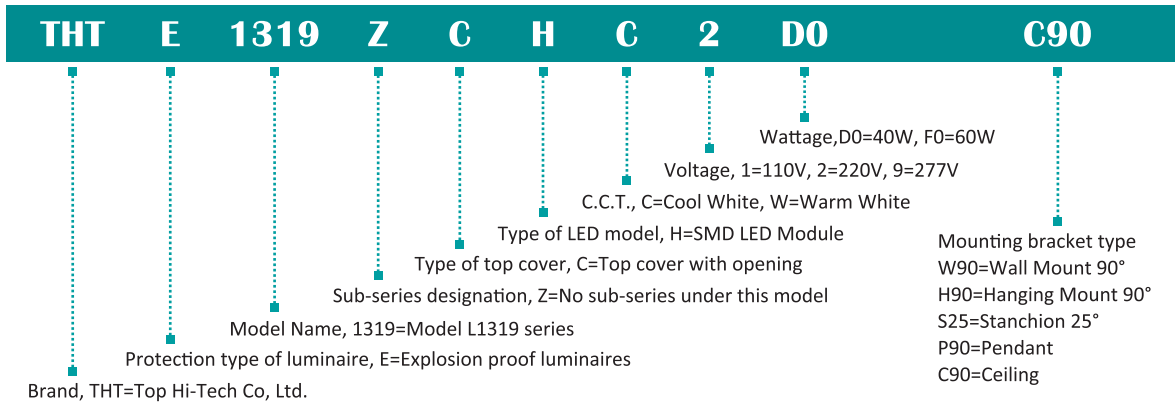
Polar Luminous Intensity Distribution



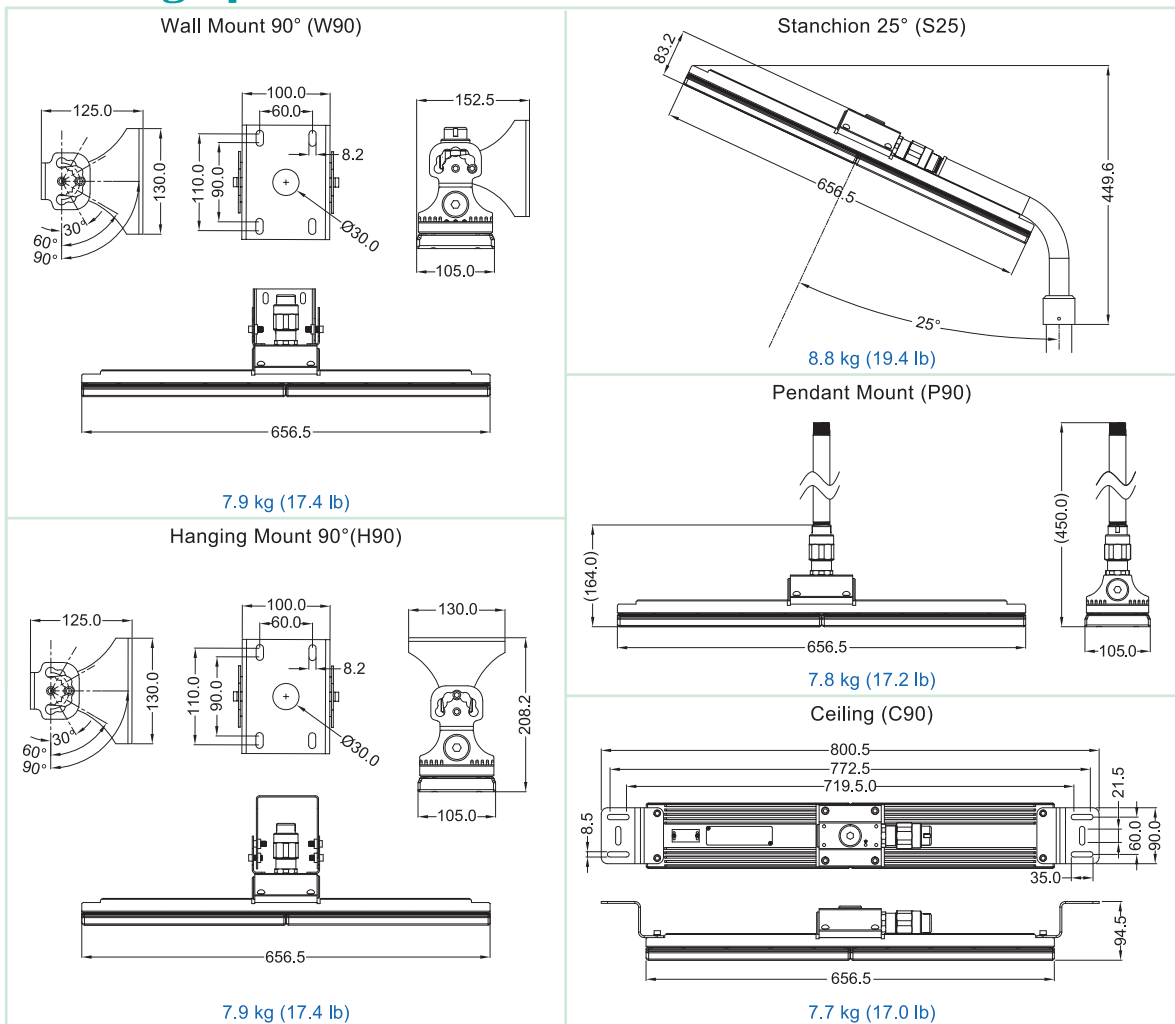
Luminous Intensity Distribution Diagram



Model Code



Mounting Option & Dimensions (All in mm)



Applicable Area

- Oil Refinery Complex
- Petrochemical Complex
- Painting Facility
- Transporting Nature Gas
- Transporting Liquefied Petroleum Gas
- Offshore Platform (Oil and Natural Gas)