

# VST Vanstone Thermowell Model Code

VST - T1 - T2 - T3 T4 - T5 - T6 - T7 - T8

## VST Straight/Tapered - Vanstone Thermowell

### T1 Thermowell Stem Material

304	304/304L stainless	F9	F9
<b>316</b>	<b>316/316L stainless</b>	F11	F11
310	310 stainless steel	F44	Alloy 254
600	Inconel 600	F51	Duplex 2205
625	Inconel 625	HAC	Hastelloy C276
800	Incoloy 800	HAB	Hastelloy B
825	Incoloy 825	LF2	A350 LF2
8HT	Incoloy 800 HT	M40	Monel 400
A105	A105 carbon steel	TI2	Titanium Grade 2
A20	Alloy 20	Other	Consult factory

### T2 Bore Diameter

2	0.260"
3	0.385"

### T3 Process Connection Nominal Pipe OD

1"	1" NPS	1.315"
1.5"	1.5" NPS	1.900"
2"	2" NPS	2.375"
Other	Consult factory	

### T4 Flange Class per ASME B16.5

150#	Class 150
300#	Class 300
600#	Class 600
900#	Class 900
1500#	Class 1500
2500#	Class 2500

### T5 Specify "U" Length (inches)<sup>2</sup>

"inches"	Specify length in inches
----------	--------------------------

### T6 Specify "H" Head Length (inches)<sup>2</sup>

2.25	2.25" standard minimum for class 150#, 300#, 600#
3.25	3.25" standard minimum for class 900#, 1500# 2500#
Other	Specify length in inches

### T7 Specify "A" (Root) Diameter<sup>3</sup>

<b>1.063</b>	<b>1.063" (standard)</b>
1.125	1.125"
1.250	1.250"
1.5	1.5"
Other	Specify diameter in inches

### T8 Specify "B" (Tip) Diameter

<b>0.75</b>	<b>0.75" (standard)</b>
0.5	0.5" (minimum) - for 0.260" bore option only
Other	Specify diameter in inches

### Special option codes specified as come complete with (c/w) thermowell if required

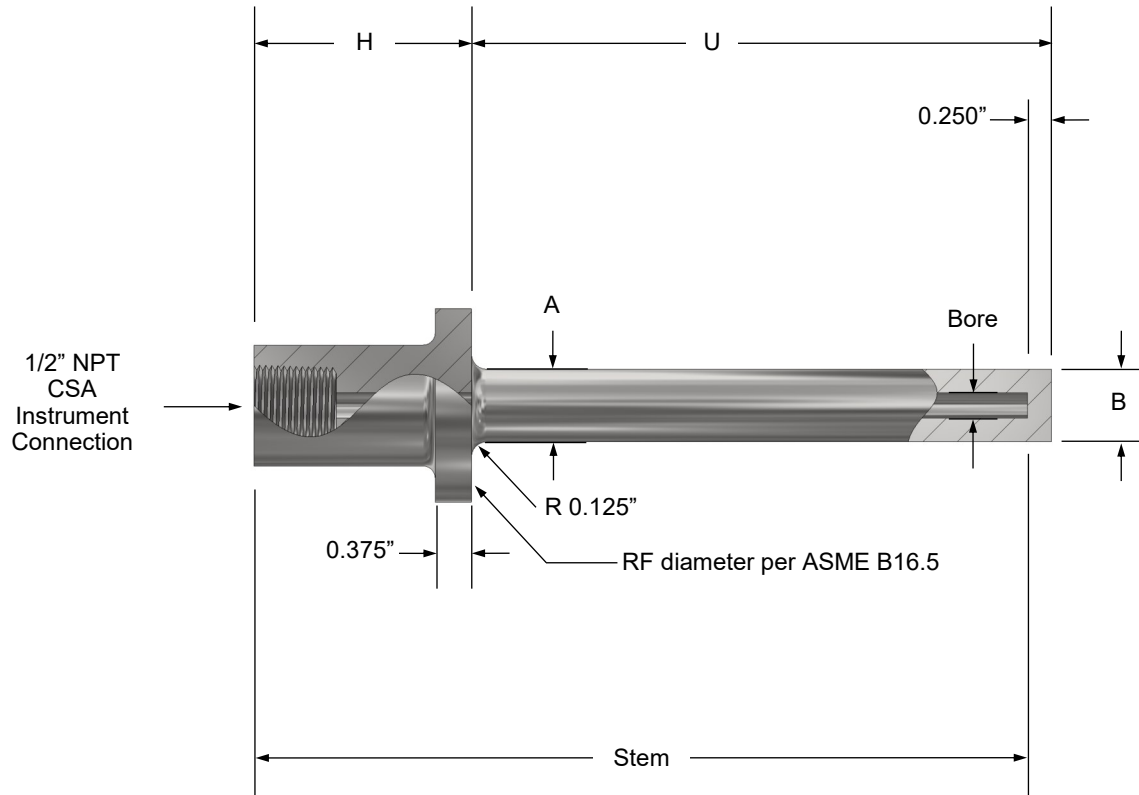
Code	Description
SSPC	Stainless steel plug and chain
BRPC	Brass plug and chain
OVRL	Overlay (details to be specified)

#### NOTES:

1. Part number example: VST-316-2-1"150#-8-2.25-1.063-0.75
2. Reference page D-37 for part outline and dimensions
3. Maximum allowable A (root) diameter must be less than the nominal pipe OD (T3)
4. Bold text indicates most common part selections



# VST Vanstone Outline & Dimensions



## NOTES:

1. Machined from solid bar stock
2. Raised face diameter per ASME B16.5
3. Raised face (RF) flange finish 125-250 RMS, for other consult factory

