



Electric Automated Ball Valve Package

Series FD9 ANSI 300# Flanged Ball Valve Direct Mount



Full Port Valve
ANSI Class 300#
Available 1/2" – 6"
316SS or WCB Body
316SS Ball & Stem
Belleville Washers
Chevron Packing
RTFE Seats Standard
Pyramidal Stem Design

STANDARDS

Design	ANSI B16.34
Face to Face	ANSI B16.10
Flange Dimensions	ANSI B16.5
Pipeline Valve	API 6D
Pressure Testing	API 598
Fire Testing	API 607 4th Edition, BS 5351
Mounting Pad	ISO 5211
Marking System for Valves	MSS SP-25
Material Certification	EN 10204
Quality Assurance	ISO 9001

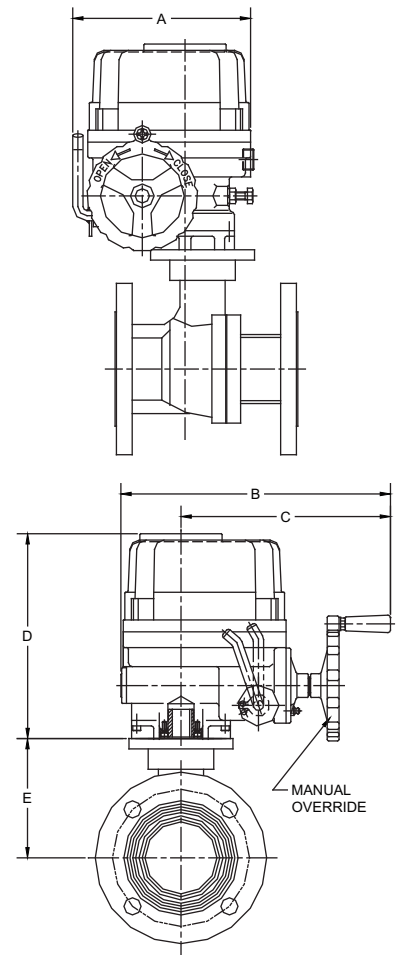
API 607 - 4th Edition CERTIFIED



300# Flanged
Firesafe Tested to API-607
Direct Mount

DIMENSIONS (IN)

VALVE SIZE	A	B	C	D	E	VALVE CV
1/4"	5.94	4.08	N/A	5.24	1.92	15
3/4"	5.94	4.08	N/A	5.24	2.50	45
1"	5.94	4.08	N/A	5.24	2.50	85
1-1/2"	5.94	4.08	N/A	5.24	3.51	275
2"	6.69	10.16	8.19	9.25	3.80	460
2-1/2"	9.02	13.31	10.43	10.55	4.57	700
3"	9.02	13.31	10.43	10.55	5.22	1100
4"	9.02	13.31	10.43	10.55	6.18	2200
6"	11.69	16.14	12.09	12.99	8.28	5150



SERIES FD9 300# Flanged Direct Mount

Firesafe

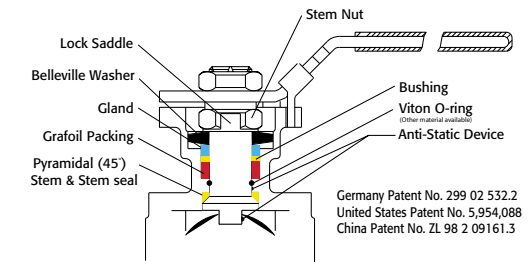
ON-OFF	
SIZE	MODEL
1/2"	FD9-3X-050/WEA1-XX
3/4"	FD9-3X-075/WEA1-XX
1"	FD9-3X-100/WEA1-XX
1-1/2"	FD9-3X-150/WEA1-XX
2"	FD9-3X-200/WEB1-XX
2-1/2"	FD9-3X-250/WEC1-XX
3"	FD9-3X-300/WED1-XX
4"	FD9-3X-400/WEE1-XX
6"	FD9-3X-600/WEJ1-XX

MODULATING	
SIZE	MODEL
1/2"	FD9-3X-050/WEA2-XX
3/4"	FD9-3X-075/WEA2-XX
1"	FD9-3X-100/WEA2-XX
1-1/2"	FD9-3X-150/WEA2-XX
2"	FD9-3X-200/WEB2-XX
2-1/2"	FD9-3X-250/WEC2-XX
3"	FD9-3X-300/WED2-XX
4"	FD9-3X-400/WEE2-XX
6"	FD9-3X-600/WEJ2-XX

OPTIONS

DESCRIPTION
24 VAC/24 VDC/220VAC
Feedback potentiometer

NOTE: Heater and thermostat standard
(2) auxiliary switches standard
Other options available - call for details
Actuators are sized based on clean/clear fluid.
See valve part number matrix for complete part number and options.



Germany Patent No. 299 02 532.2
United States Patent No. 5,954,088
China Patent No. ZL 98 2 09161.3

SAMPLE PART # FD9C-3X-150/WEA1-XX

Firesafe
Valve Series
Denotes Carbon Steel
End Connection (300# Flanged)
Seat Material (RTFE Seats)
Valve Size (1-1/2")
Triac Actuator
Electric
Actuator Size
On-Off
Voltage
Feedback



Triac Division
11363 Deerfield Rd.
Cincinnati, Ohio 45242
PHONE (513) 247-5465
FAX (513) 247-5462
e-mail: sales@a-tcontrols.com
www.a-tcontrols.com

Valve Options

Various Seat Materials

PTFE, RTFE, 50/50, 15% CFTE, Delrin PEEK, Hard Facing, UHMWPE, TFM-1600

Several hard face and metal-metal options

Gear Operators

Quarter-turn Gear Operators

Spring Return "Deadman" Handles

Oval handles, TEE Handles

Specials and Solutions

Steam Jackets

Stem Extensions

V-ported Control Valves

Multi-port Valve Solutions

Fugitive Emissions Bonnets (TSM's)

Oxygen Cleaning

Lockout Brackets

Vented Balls

"No Play" Mounting Kits

- **FM Approved Valves and Assemblies**



Triac Division
11363 Deerfield Rd.
Cincinnati, Ohio 45242

PHONE (513) 247-5465
FAX (513) 247-5462
e-mail: sales@a-tcontrols.com
www.a-tcontrols.com

050111-FD9F3

Other Products

Special Seats

Balls and Seal Designs



Steam Jacketed Valves



Floor Mounted Damper Drives



Limit Switches

Mounted on Manual Valves



Fusible Link Assemblies



180° Actuators



Lockout Mounting Kits



Stem Extensions



Special Multi-Port Valves



Dual Valve Assemblies

