

2715

TENSION AND COMPRESSION LOAD CELL

Universal tension and compression load cell with high accuracy.

Model 2715



Features

- Wide range capacity : 20 kN (2000 kg) to 200 kN (20 tons)
- Tension and compression
- Easy to install
- "S" Compact design
- Protection IP 67
- Material : Nickel plated steel
- Cable length : See drawing's table
- Available options (non exhaustive list) :
 - o high service temperature (up to 180 °C)
 - o ATEX intrinsic safety Ex II 1GD Ex ia IIC T6 or T4 Ga Ex ia IIIC T80 °C Da
 - o cable output by cable gland
- Also available as standard reference load cells following ISO 376 (see specific data sheet)

Applications

The SENSY's load cell 2715 is perfectly designed to the following applications :

- Industrial force measurement
- Weighing of suspended reactors or hoppers, conveyor belts
- Hybrid weighbridges (mechanical conversion)

Capacities

2715 : 20 - 30 - 50 - 75 - 100 - 150 - 200 kN

Specifications	0.1	0.05	0.03	
Accuracy class	0.1% F.S.	0.05 % F.S.	0.03% F.S.	-
Combined error	< ± 0.1	< ± 0.05	< ± 0.03	% F.S.
Linearity error	< ± 0.1	< ± 0.04	< ± 0.025	% F.S.
Repeatability error	< ± 0.03	< ± 0.02	< ± 0.015	% F.S.
Creep error over 30 min.	< ± 0.06	< ± 0.04	< ± 0.025	% F.S.
Zero shift after loading	< ± 0.015	< ± 0.01	< ± 0.0075	% F.S.
Reference temperature	23	23	23	C
Nominal temperature range	-10...+45	-10...+45	-10...+45	C
Service temperature range	-30...+70	-30...+70	-30...+70	C
Storage temperature range	-50...+85	-50...+85	-50...+85	C
Temperature coefficient of the sensitivity	< ± 0.05	< ± 0.035	< ± 0.015	% F.S./10 °C
Temperature coefficient of zero signal	< ± 0.035	< ± 0.03	< ± 0.023	% F.S./10 °C
Zero balance	± 0.02	± 0.02	± 0.02	mV/V
Sensitivity tolerance	< ± 0.3	< ± 0.3	< ± 0.2	%
Input resistance	352 ± 2	352 ± 2	352 ± 2	Ohm
Output resistance	352 ± 2	352 ± 2	352 ± 2	Ohm
Insulation resistance (50V)	> 5000	> 5000	> 5000	Megaohm
Reference excitation voltage	10	10	10	VDC
Nominal range of excitation voltage	3..12	3..12	3..12	VDC
Nominal sensitivity	2	2	2	mV/V
Safe load limit	120	120	120	% F.S.
Breaking load	>300	>300	>300	% F.S.
Static lateral force limit	50	50	50	% F.S.
Permissible dynamic loading	60	60	60	% F.S.

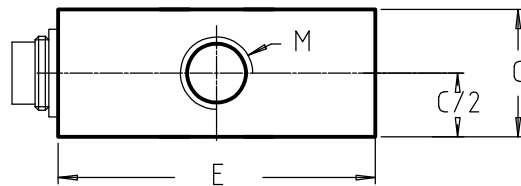
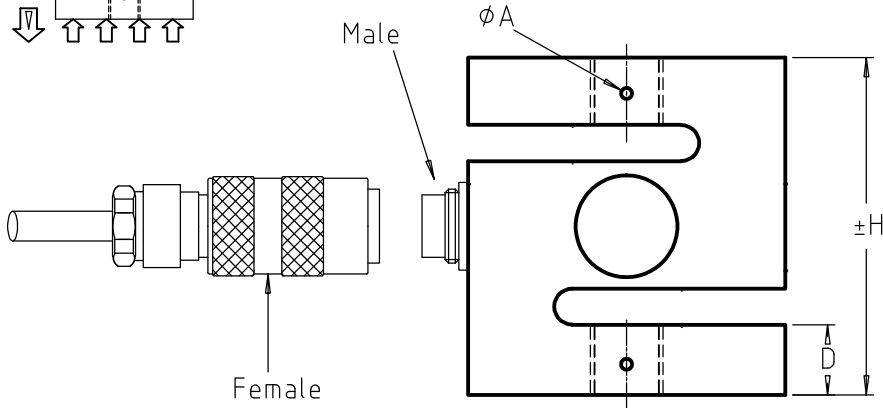
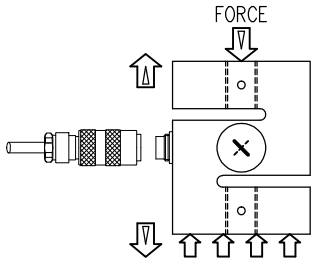
LOAD CELL

model 2715 alloy steel

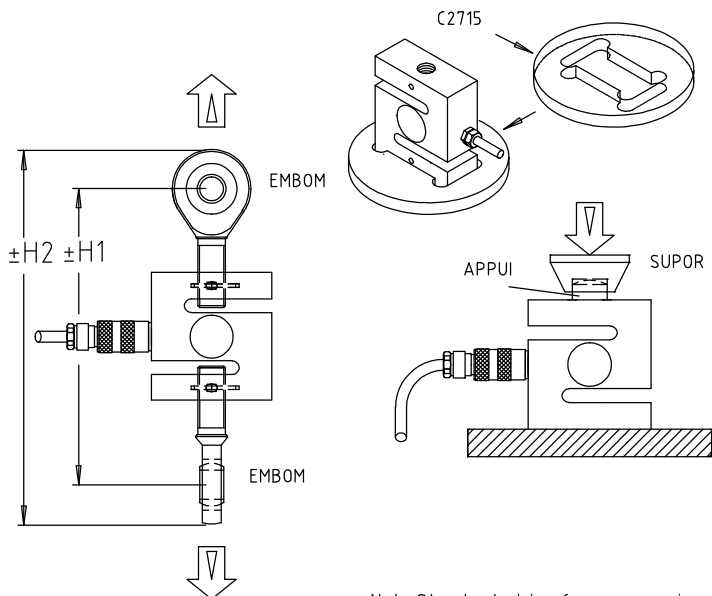
TENSION-COMPRESSION

Range (20 - 200 kN) IP67
(2 - 20 t.)

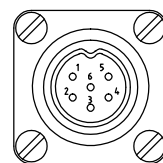
Cable length : See table



CAPACITIES	φA	H	C	D	E	M	H1	H2	Cable	Max.deflexion	Weight
20-50 kN	4	116	38	30	98	M24x2	238	302	3 m	0.35 mm	2.6 kg
75-100 kN	6	130	56	33	118	M36x3	318	402	6 m	0.60 mm	5.2 kg
150-200 kN	8	155	67	45	146	M45x3	360	470	10 m	0.70 mm	9 kg



FEMALE-MALE CONNECTOR DIN 45322



- CONTACT N°
- 1 Excitation - Yellow
 - 2 Output + Green
 - 3 Output - White
 - 4 Excitation + Brown
 - 5 Sense - Grey
 - 6 Sense + Pink

Shield not connected to transducer

Note: Standard wiring for compression