



Pneumatic Spring Return Automated Ball Valve Package

**Series D9
ANSI 150# Flanged
Ball Valve
Direct Mount**

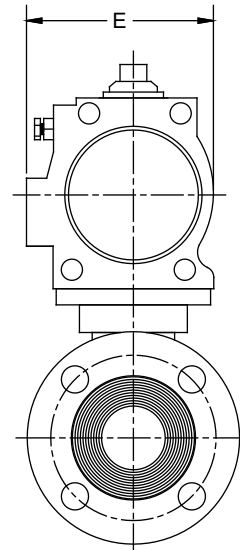
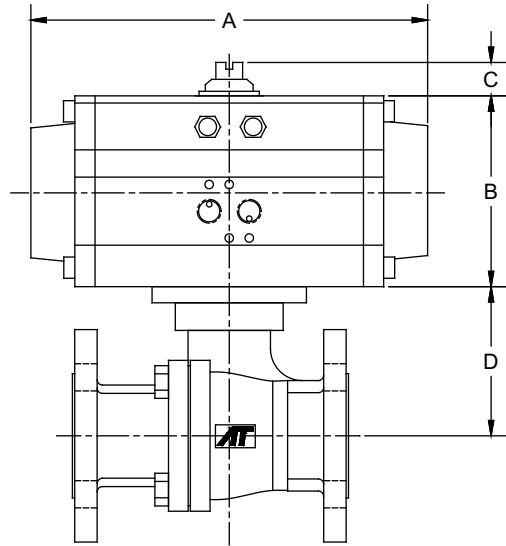
Full Port Valve
ANSI Class 150#
Available 1/2" – 6"
316SS or WCB Body
316SS Ball & Stem
Belleville Washers
Chevron Packing
RTFE Seats Standard
Pyramidal Stem Design

STANDARDS

Design	ANSI B16.34
Face to Face	ANSI B16.10
Flange Dimensions	ANSI B16.5
Pipeline Valves	API 6D
Pressure Testing	API 598
Mounting Pad	ISO 5211
Marking System for Valves	MSS SP-25
Material Certification	EN 10204
Quality Assurance	ISO 9001



**150# Flanged
Direct Mount**



DIMENSIONS (IN)

VALVE SIZE	A	B	C	D	E	VALVE Cv
1/2"	7.95	3.43	0.79	1.84	3.29	15
3/4"	7.95	3.43	0.79	2.02	3.29	45
1"	9.29	4.49	0.79	2.31	4.41	85
1-1/2"	10.87	4.88	0.79	3.51	4.82	275
2"	10.87	4.88	0.79	3.80	4.82	450
2-1/2"	13.90	6.18	0.79	4.57	6.04	700
3"	13.90	6.18	0.79	5.22	6.04	1100
4"	15.16	6.93	1.18	6.18	6.69	2200
6"	24.37	10.12	1.18	8.28	9.29	5150

DIMENSIONS SHOWN ARE FOR ASSEMBLIES SIZED FOR 80 PSI SUPPLY

SERIES D9 150# Flanged Direct Mount

SIZED FOR 80 psi AIR SUPPLY	
SIZE	MODEL
1/2"	D9-F1-050/2R2S-XX
3/4"	D9-F1-075/2R2S-XX
1"	D9-F1-100/2R3S-XX
1-1/2"	D9-F1-150/2R4S-XX
2"	D9-F1-200/2R4S-XX
2-1/2"	D9-F1-250/2R6S-XX
3"	D9-F1-300/2R6S-XX
4"	D9-F1-400/2R7S-XX
6"	D9-F1-600/2R0S-XX

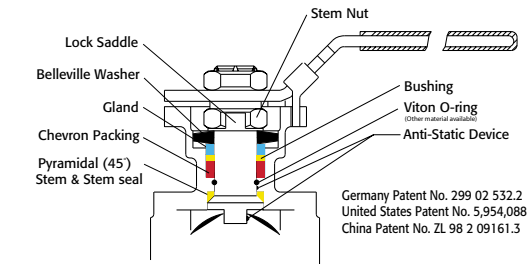
SIZED FOR 60 psi AIR SUPPLY	
SIZE	MODEL
1/2"	D9-F1-050/2R2S-XX
3/4"	D9-F1-075/2R3S-XX
1"	D9-F1-100/2R3S-XX
1-1/2"	D9-F1-150/2R4S-XX
2"	D9-F1-200/2R5S-XX
2-1/2"	D9-F1-250/2R6S-XX
3"	D9-F1-300/2R6S-XX
4"	D9-F1-400/2R7S-XX
6"	D9-F1-600/2R0S-XX

OPTIONS			
DESCRIPTION	PART NO. SUFFIX	DESCRIPTION	PART NO. SUFFIX
NEMA 4 Solenoid	(A)	NEMA 4 Limit Switch (2) spdt	(A)
NEMA 7 Solenoid	(B)	NEMA 7 Limit Switch (2) spdt	(B)

Other options available - call for details
Actuators are sized based on clean/clear fluid.

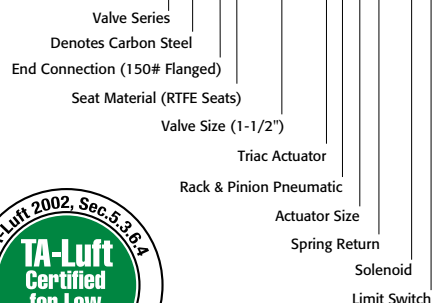
See valve part number matrix for complete part number and options.

050111-D9SR



Germany Patent No. 299 02 532.2
United States Patent No. 5,954,088
China Patent No. ZL 98 2 09161.3

SAMPLE PART #
D9C-F1-150/2R3S-XX



Triac Division
11363 Deerfield Rd.
Cincinnati, Ohio 45242
PHONE (513) 247-5465
FAX (513) 247-5462
e-mail: sales@a-tcontrols.com
www.a-tcontrols.com