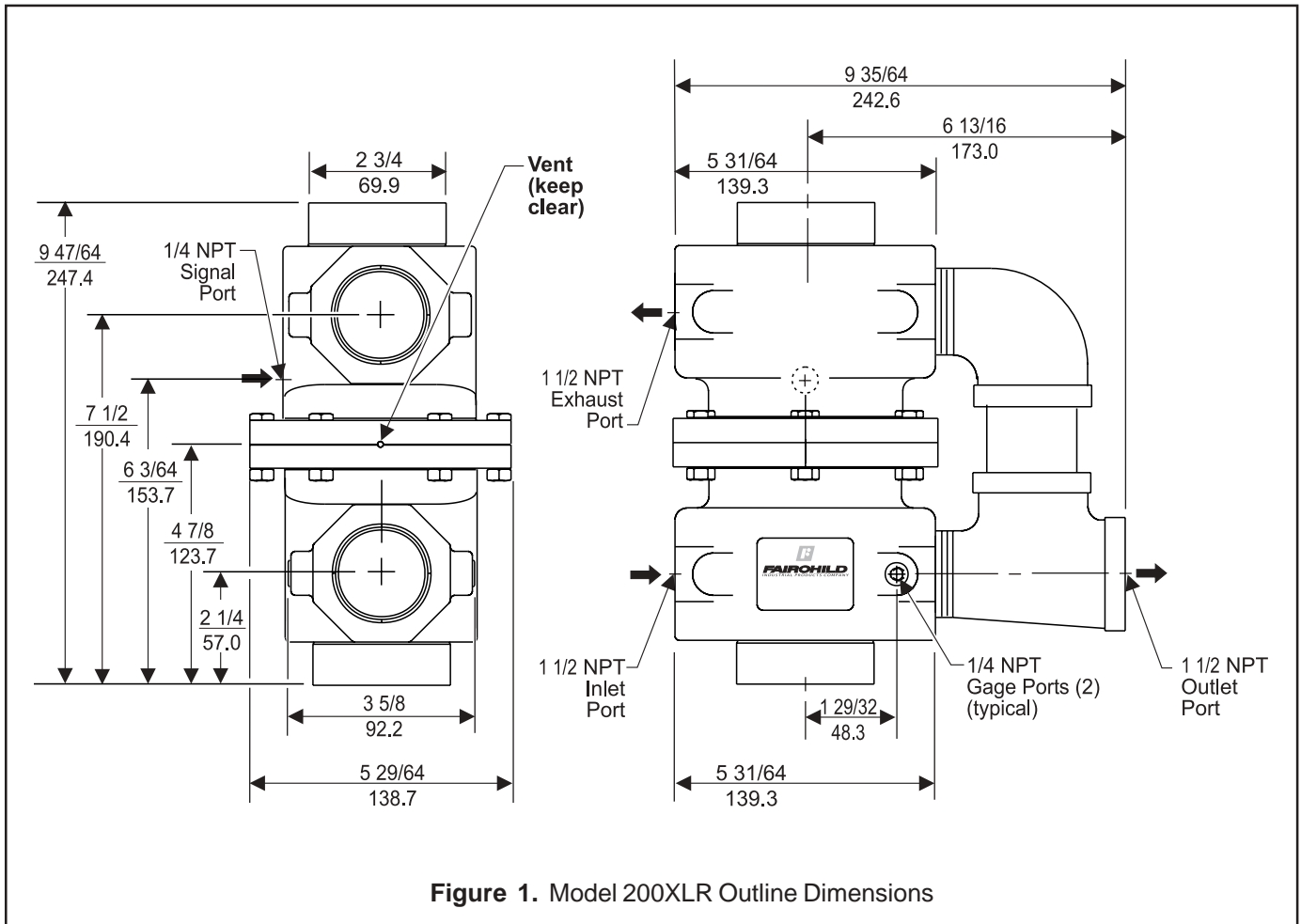


FAIRCHILD MODEL 200XLR PNEUMATIC VOLUME BOOSTER

Installation, Operation and Maintenance Instructions



INSTALLATION

Arrows indicate the Inlet and Outlet ports on the booster. Tighten all connections securely. Avoid undersized fittings that will limit the flow through the booster. For more information, see Figure 1.

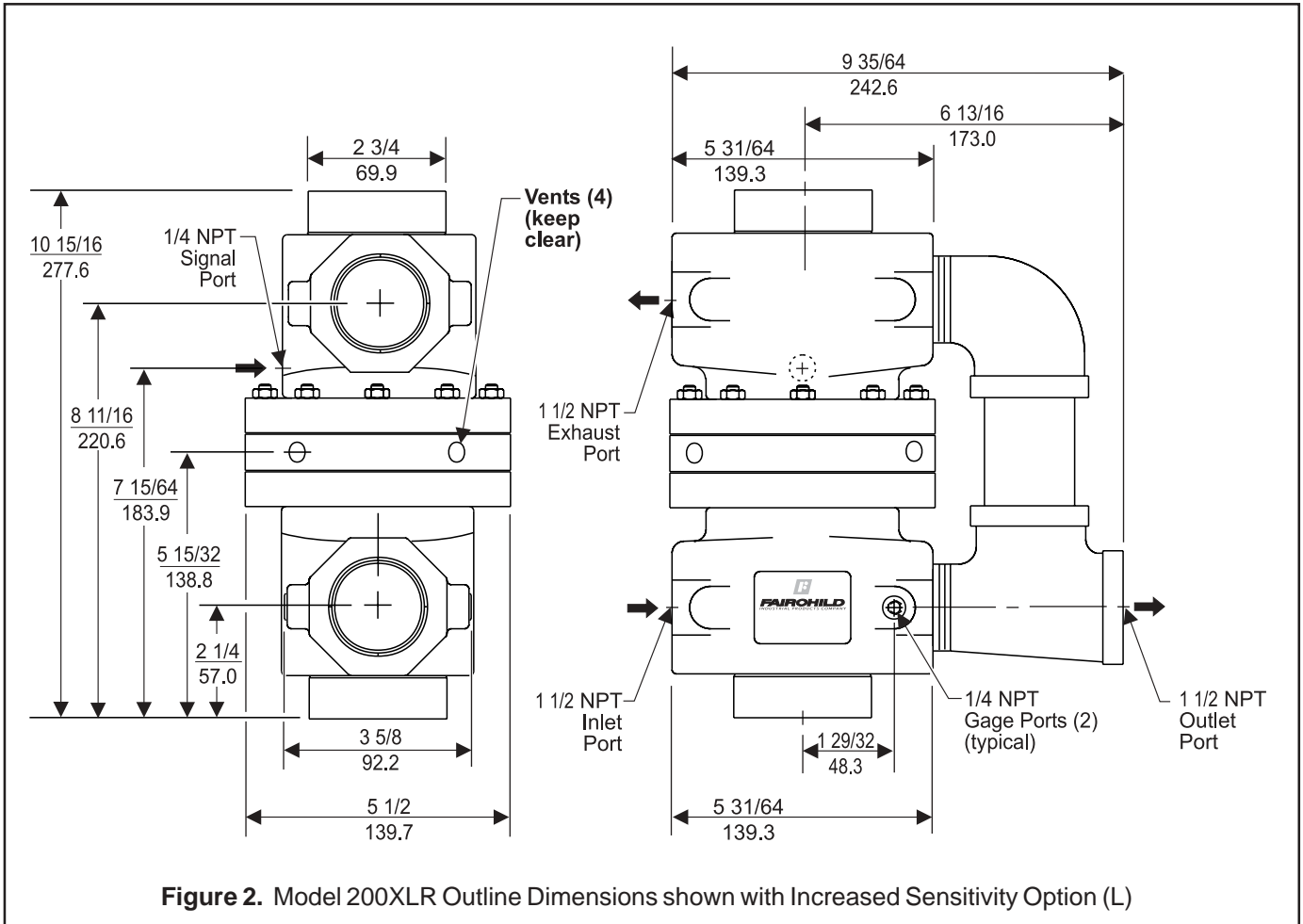
Clean all pipelines to remove dirt and scale before installation.

Apply a minimum amount of pipe compound to the male threads of the fitting only. **Do Not use teflon tape as a sealant.** Start with the third thread back

and work away from the end of the fitting to avoid contaminating the booster. Install the booster in the air line.

NOTE: Oil free air must be applied to the booster. Use a filter to remove dirt and entrained liquid in the air line ahead of the booster. If an air line lubricator is used, it MUST be located downstream of the booster to avoid interference with performance.

OUTLINE DIMENSIONS



INSTALLATION

If you have the Model 200XLR with Increased Sensitivity Option (L), see Figure 2 for installation information.

For more installation information, see page 1.

OPERATION

The Model 200XLR reproduces a pneumatic signal in a 1:1 ratio. Apply pressure to the signal chamber until the required downstream pressure is reached.

This booster is ideally suited for systems that require input isolation or increased forward and exhaust flow capacities. For more information, see Figure 1 and Figure 2.

MAINTENANCE

To clean the Model 200XLR, use the following steps:

1. Shut off system pressure to the booster to prevent air from escaping. It is not necessary to remove the booster from the air line.
2. Remove the six Screws from the top and bottom of the unit. For more information, see Figure 3.
3. Remove the two Valve Assemblies. For more information, see Figure 3.
4. Wash the Valve Assemblies with a solvent. Exercise care to prevent damage to diaphragms and valve facings. **Avoid solvents such as acetone, carbon tetrachloride and trichlorethylene.**
5. Replace the assemblies carefully. Ensure that the small vents in the Spacer Ring are clear. For more information, see Figure 3.

Troubleshooting

Table 1. Troubleshooting		
Problem	Source	Solution
When the signal is off, the valve does not close.	<ul style="list-style-type: none"> • Valve seats • Valve Assembly 	<ul style="list-style-type: none"> • Check the valve seats. • If contaminated, clean the source. • Ensure that the diaphragm is not punctured.
Leakage/ High Bleed	<ul style="list-style-type: none"> • Body Bolts • Exhaust Valve Assembly • Supply Valve Assembly • Valve Seats • Relief Seat 	<ul style="list-style-type: none"> • Tighten the Body Bolts • If contaminated, clean the source. • If damaged, contact the factory.

NOTE: If the standard maintenance procedure does not correct the problem, contact the factory.

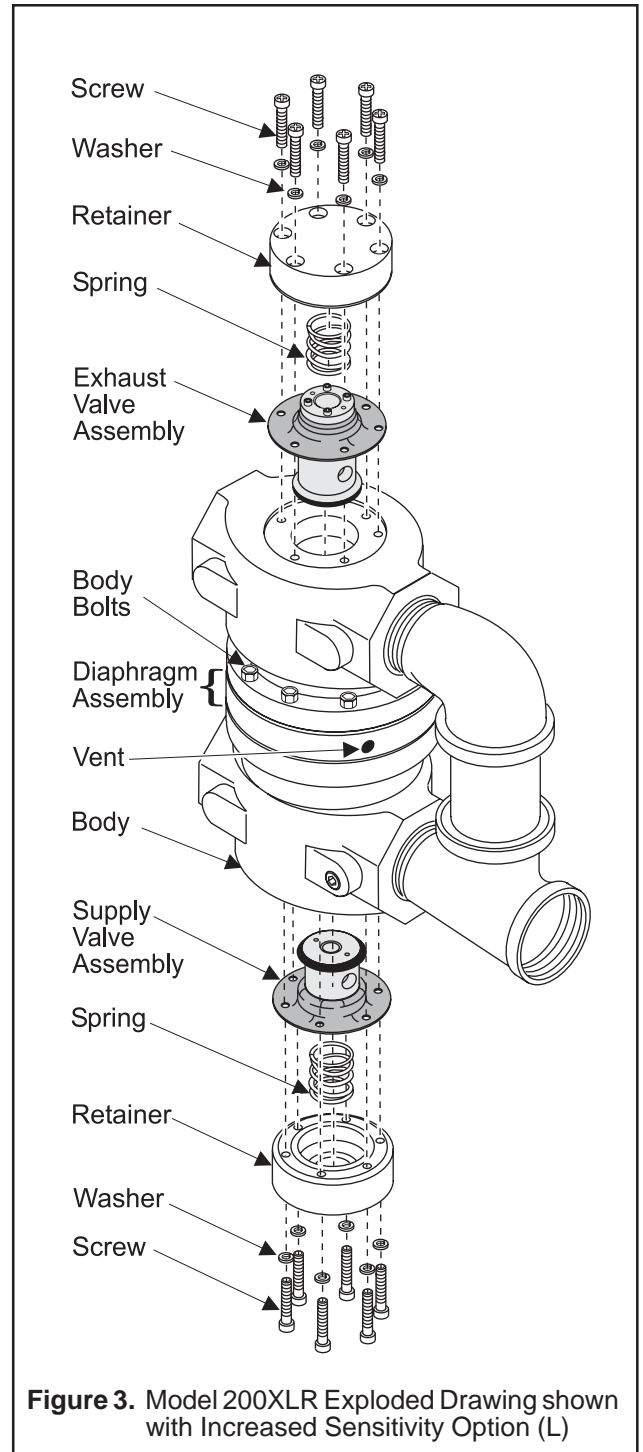


Figure 3. Model 200XLR Exploded Drawing shown with Increased Sensitivity Option (L)



3920 WEST POINT BLVD. WINSTON-SALEM, NC 27103-6708
TEL 336-659-3400 FAX 336-659-9323

www.fairchildproducts.com



FM NO. 25571

IS-20200XLR
Litho in USA
Rev. E 10/00