



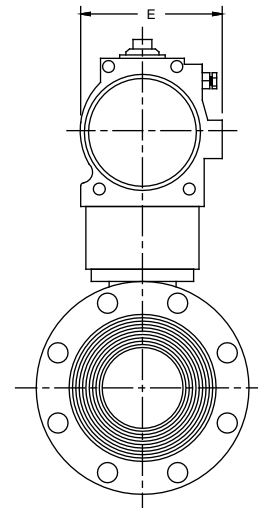
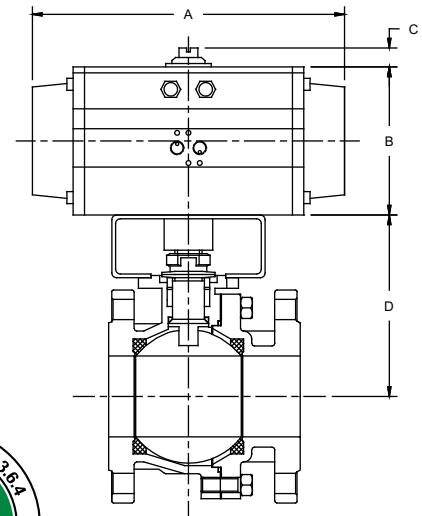
**Pneumatic
Double Acting
Automated
Ball Valve Package**
Series 90/93
ANSI 150#
Flanged Ball Valve

Full Port Valve
ANSI Class 150
Available 1/2" – 12"
316SS or WCB Body
316SS Ball & Stem
Belleville Washers
Chevron Packing
RTFE Seats Standard
For 10" and 12", call factory

STANDARDS
Design ANSI B16.34
Face to Face ANSI B16.10
Flange Dimensions ANSI B16.5
Pipeline Valves API 6D
Pressure Testing API 598
Mounting Pad ISO 5211
Marking System for Valves MSS SP-25
Material Certification EN 10204
Quality Assurance ISO 9001



150# Flanged
Direct Mount



DIMENSIONS (IN)

VALVE SIZE	A	B	C	D	E	VALVE Cv
1/2"	5.98	2.76	0.79	2.91	2.58	15
3/4"	5.98	2.76	0.79	3.21	2.58	45
1"	7.95	3.43	0.79	3.52	3.29	85
1-1/2"	9.29	4.49	0.79	5.04	4.41	275
2"	9.29	4.49	0.79	5.37	4.41	460
2-1/2"	10.87	4.88	0.79	5.80	4.82	700
3"	11.46	5.28	0.79	6.85	5.20	1100
4"	13.90	6.18	0.79	7.44	6.04	2200
6"	20.95	8.31	1.18	9.96	7.64	5150
8"	24.37	10.12	1.18	12.21	9.29	10000

DIMENSIONS SHOWN ARE FOR ASSEMBLIES SIZED FOR 80 PSI SUPPLY

SERIES 90/93 150# Flanged

**SIZED FOR
80 psi AIR SUPPLY**

SIZE	MODEL
1/2"	90-F1-050/TR1D-XX
3/4"	90-F1-075/TR1D-XX
1"	90-F1-100/2R2D-XX
1-1/2"	90-F1-150/2R3D-XX
2"	90-F1-200/2R3D-XX
2-1/2"	90-F1-250/2R4D-XX
3"	90-F1-300/2R5D-XX
4"	90-F1-400/2R6D-XX
6"	93-F1-600/2R8D-XX
8"	93-F1-800/2R0D-XX

**SIZED FOR
60 psi AIR SUPPLY**

SIZE	MODEL
1/2"	90-F1-050/TR1D-XX
3/4"	90-F1-075/2R2D-XX
1"	90-F1-100/2R2D-XX
1-1/2"	90-F1-150/2R3D-XX
2"	90-F1-200/2R3D-XX
2-1/2"	90-F1-250/2R5D-XX
3"	90-F1-300/2R6D-XX
4"	90-F1-400/2R6D-XX
6"	93-F1-600/2R9D-XX
8"	93-F1-800/2RAD-XX

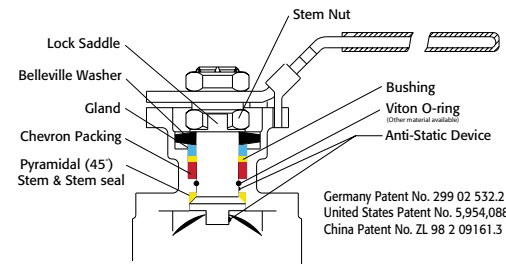
Series 90 denotes investment cast / 93 sand cast

OPTIONS

DESCRIPTION	PART NO. SUFFIX	DESCRIPTION	PART NO. SUFFIX
NEMA 4 Solenoid	(A)	NEMA 4 Limit Switch (2) spdt	(A)
NEMA 7 Solenoid	(B)	NEMA 7 Limit Switch (2) spdt	(B)

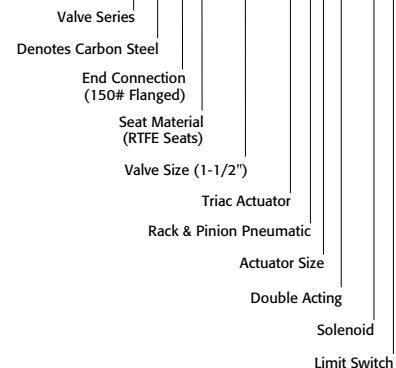
Other options available - call for details
Actuators are sized based on clean/clear fluid.

See valve part number matrix for complete part number and options.
TA-Luft certification applies to Series 90 only
050111-90_93DA



Germany Patent No. 299 02 532.2
United States Patent No. 5,954,088
China Patent No. ZL 98 2 09161.3

**SAMPLE PART #
90C-F1-150/2R3D-XX**



Triac Division
11363 Deerfield Rd.
Cincinnati, Ohio 45242
PHONE (513) 247-5465
FAX (513) 247-5462
e-mail: sales@a-tcontrols.com
www.a-tcontrols.com