



Pneumatic Spring Return Automated Ball Valve Package

Series F88
3-Piece Ball Valve

Firesafe

Direct Mount

Full Port Valve

1500 & 2000 psi WOG (by size)

Available 1/4" – 4"

316SS or WCB Body

316SS Ball & Stem

Belleville Washers, Double Chevron Packing, RTFE Seats Standard

Threaded, SW or BW

STANDARDS

ANSI	B16.34, B16.25, B1.20.1, B16.11
API	6D, 598, 607
ISO	5211, 5209, 5752, 7/1, 261
MSS	PS25, PS72
BS	5351, 6755-1, 6755-2

**API 607 - 4th Edition
CERTIFIED**

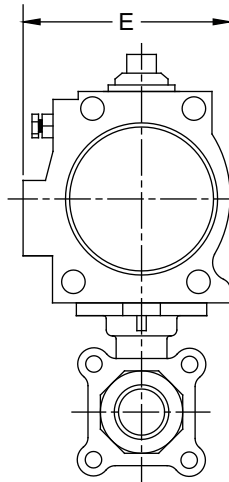
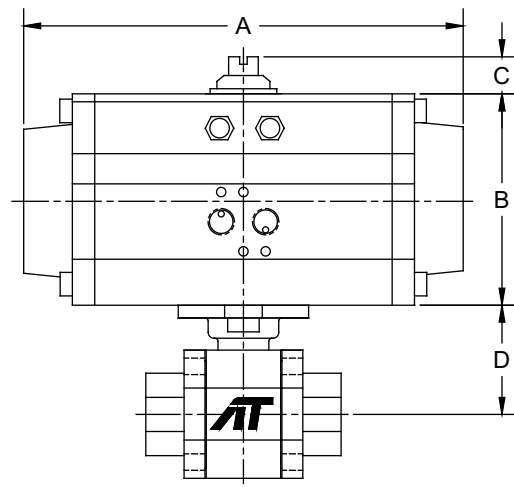


Direct Mount
Firesafe tested to API-607

DIMENSIONS (IN)

VALVE SIZE	A	B	C	D	E	VALVE Cv
1/4"	7.60	2.76	0.79	1.66	2.58	7
3/8"	7.60	2.76	0.79	1.66	2.58	8
1/2"	7.95	3.43	0.79	1.66	3.29	15
3/4"	9.29	4.49	0.79	1.83	4.41	40
1"	9.29	4.49	0.79	2.31	4.41	70
1-1/4"	9.29	4.49	0.79	2.46	4.41	110
1-1/2"	9.29	4.49	0.79	3.11	4.41	250
2"	10.87	4.88	0.79	3.42	4.82	430
2-1/2"	11.46	5.28	0.79	4.28	5.20	600
3"	13.90	6.18	0.79	4.63	6.04	1100
4"	15.16	6.93	1.18	5.26	6.69	2000

DIMENSIONS SHOWN ARE FOR ASSEMBLIES SIZED FOR 80 PSI SUPPLY



SERIES F88 3 Piece

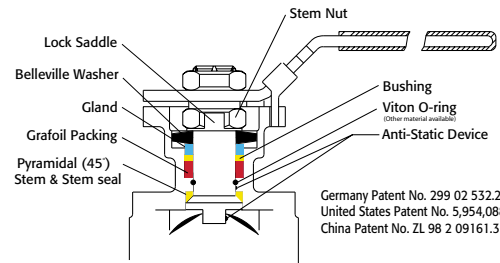
Firesafe

SIZED FOR 80 psi AIR SUPPLY

SIZE	MODEL
1/4"	F88-TX-025/TR1S-XX
3/8"	F88-TX-038/TR1S-XX
1/2"	F88-TX-050/2R2S-XX
3/4"	F88-TX-075/2R3S-XX
1"	F88-TX-100/2R3S-XX
1-1/4"	F88-TX-125/2R3S-XX
1-1/2"	F88-TX-150/2R3S-XX
2"	F88-TX-200/2R4S-XX
2-1/2"	F88-TX-250/2R5S-XX
3"	F88-TX-300/2R6S-XX
4"	F88-TX-400/2R7S-XX

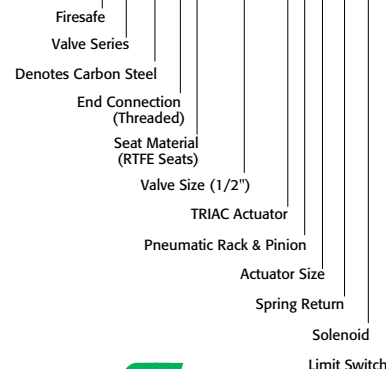
SIZED FOR 60 psi AIR SUPPLY

SIZE	MODEL
1/4"	F88-TX-025/TR1S-XX
3/8"	F88-TX-038/TR1S-XX
1/2"	F88-TX-050/2R2S-XX
3/4"	F88-TX-075/2R3S-XX
1"	F88-TX-100/2R3S-XX
1-1/4"	F88-TX-125/2R3S-XX
1-1/2"	F88-TX-150/2R4S-XX
2"	F88-TX-200/2R4S-XX
2-1/2"	F88-TX-250/2R6S-XX
3"	F88-TX-300/2R6S-XX
4"	F88-TX-400/2R7S-XX



Germany Patent No. 299 02 532.2
United States Patent No. 5,954,088
China Patent No. ZL 98 2 09161.3

SAMPLE PART #
F88C-TX-050/2R2S-XX



OPTIONS

DESCRIPTION	PART NO. SUFFIX	DESCRIPTION	PART NO. SUFFIX
NEMA 4 Solenoid	(A)	NEMA 4 Limit Switch (2) spdt	(A)
NEMA 7 Solenoid	(B)	NEMA 7 Limit Switch (2) spdt	(B)

Other options available - call for details
Actuators are sized based on clean/clear fluid.

See valve part number matrix for complete part number and options.

050111-F88SR



Triac Division
11363 Deerfield Rd.
Cincinnati, Ohio 45242

PHONE (513) 247-5465
FAX (513) 247-5462
e-mail: sales@a-tcontrols.com
www.a-tcontrols.com