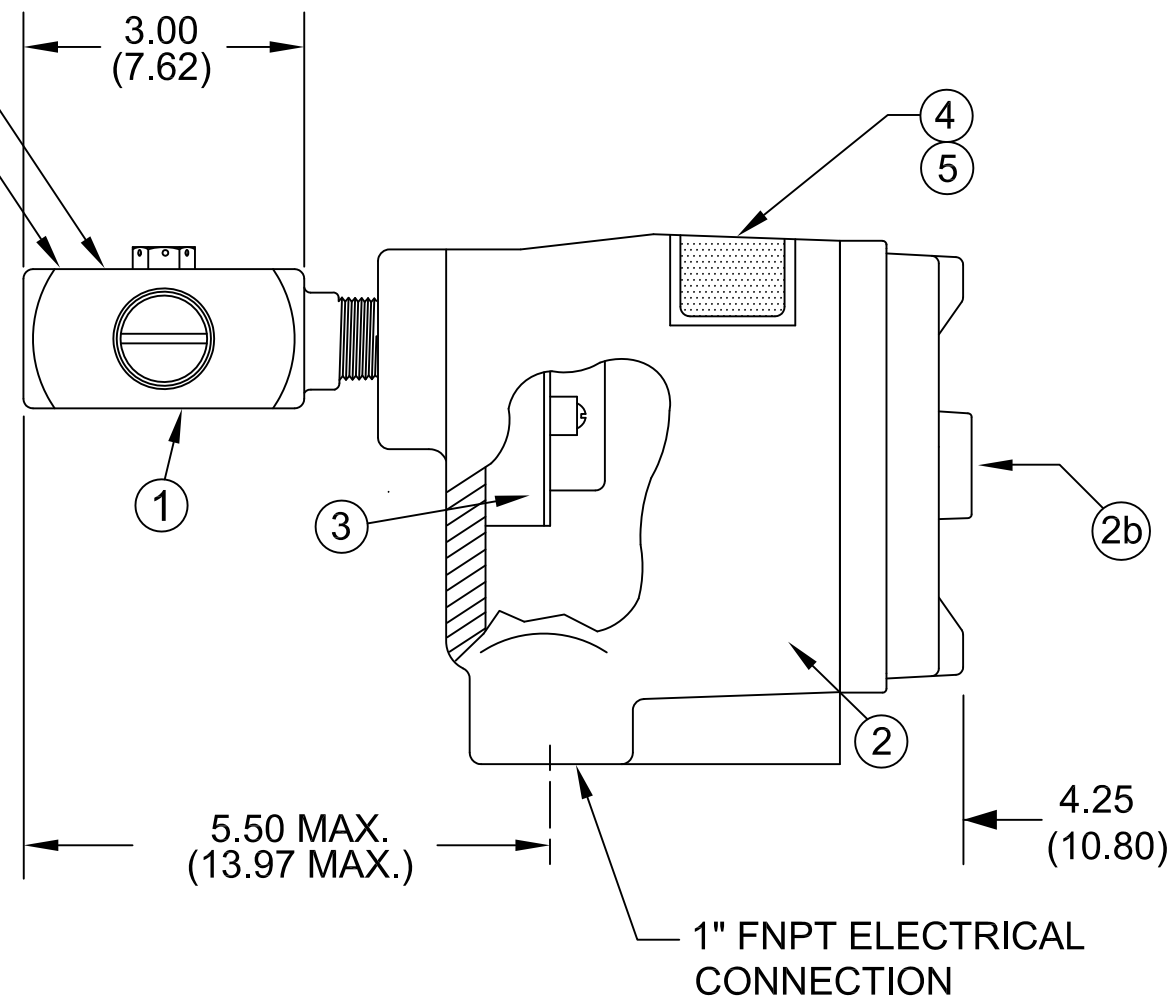



FLOW DIRECTION INDICATOR
 FLAT UP AND
 LEVEL $\pm 2^\circ$



Information contained in this document is confidential and proprietary information of Telematic Controls Inc. This document may not be reproduced or distributed for any reason without express written permission of Telematic Controls Inc. All rights of design, invention and copyright are reserved.

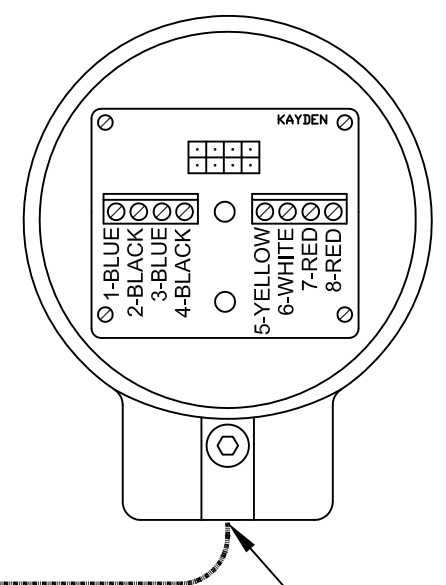
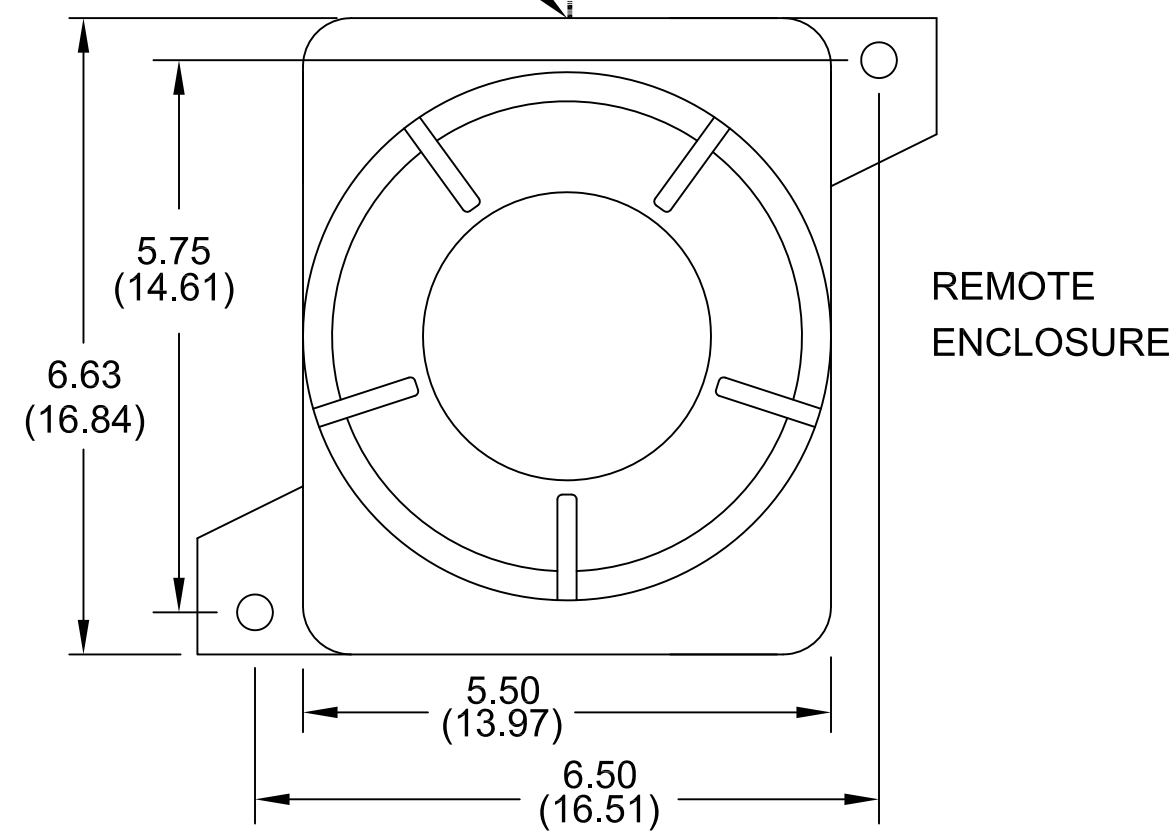
APPROVALS		DATE		
DRN	MW	14MAY13		
CHKD	EC	16MAY13		
APP	TDH	04JUN13		
All dimensions are shown in inches with cm shown in brackets TOLERANCES ARE: DECIMALS ANGLES .X \pm 0.1 $\pm 0.5^\circ$.XX \pm 0.02 .XXX \pm 0.007			TITLE CLASSIC 830 Series Threaded InLine Horizontal with Bleed Port Remote Electronics	
SIZE	DWG NO	REV		
A3	D15-830-RA3D-0035AH-3	2		
SCALE NTS			SHEET 1 OF 4	

Rev	Description	App.	Date
0	Initial release	Chidley	16Jul02
1	Edited text		13Apr11
2	Changed footer note, Added confidential note Modified Title box & Rev. Table.	TDH	04Jun13

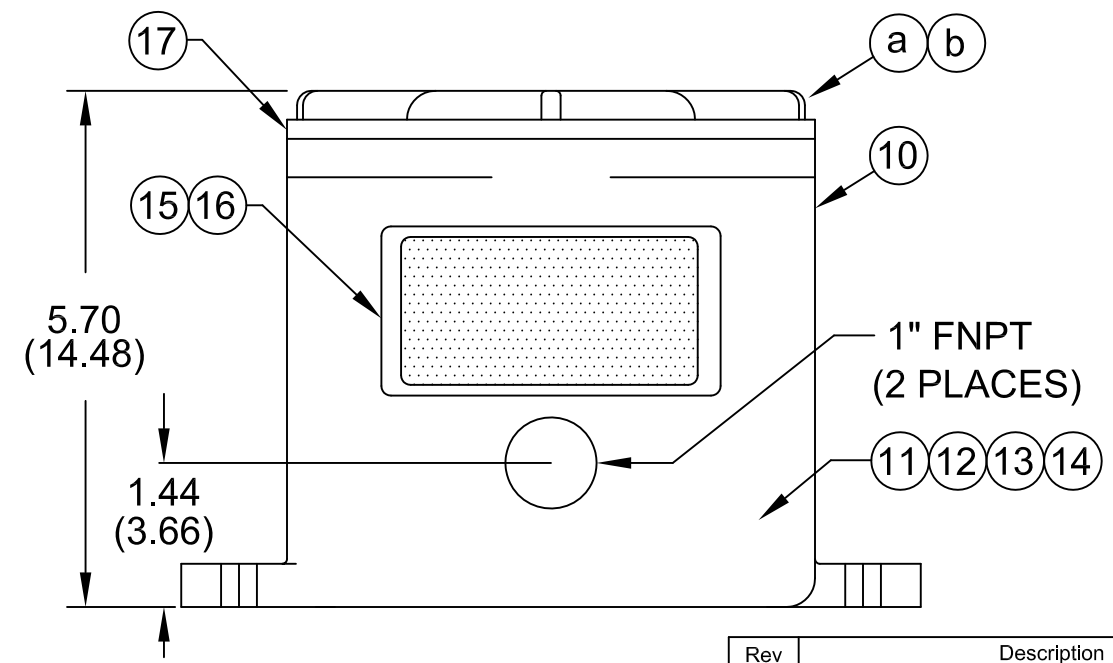
1" FNPT ELECTRONIC CONNECTION

FIELD WIRING

SENSOR ENCLOSURE



1" FNPT ELECTRICAL CONNECTION



Information contained in this document is confidential and proprietary information of Telematic Controls Inc. This document may not be reproduced or distributed for any reason without express written permission of Telematic Controls Inc. All rights of design, invention and copyright are reserved.

APPROVALS	DATE
DRN MW	13MAY13
CHKD EC	21MAY13
APP TDH	03JUN13

KAYDEN[®]
INSTRUMENTS

All dimensions are shown in inches with cm shown in brackets

TOLERANCES ARE:

DECIMALS	ANGLES
.X ± 0.1	±0.5°
.XX ± 0.02	
.XXX ± 0.007	

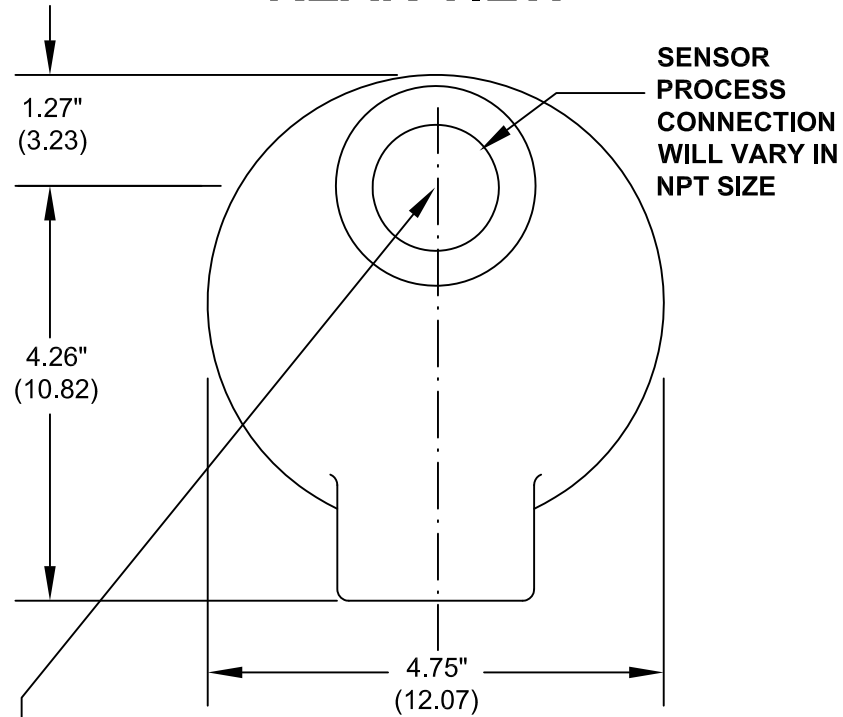
TITLE: CLASSIC Series Remote Electronics Flameproof Enclosure (CSA)

SIZE A3	DWG NO. 7730-0000-1-CSA	REV 0
SCALE NTS		SHEET 3 OF 4 (or 4 OF 5)

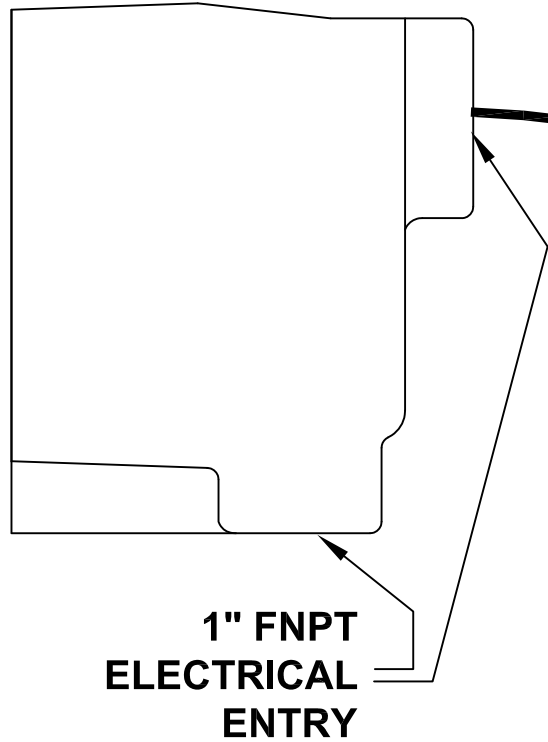
Rev	Description	App.	Date
0	Initial release	TDH	03Jun13

NOTES:
1. Wire according to connection diagram.

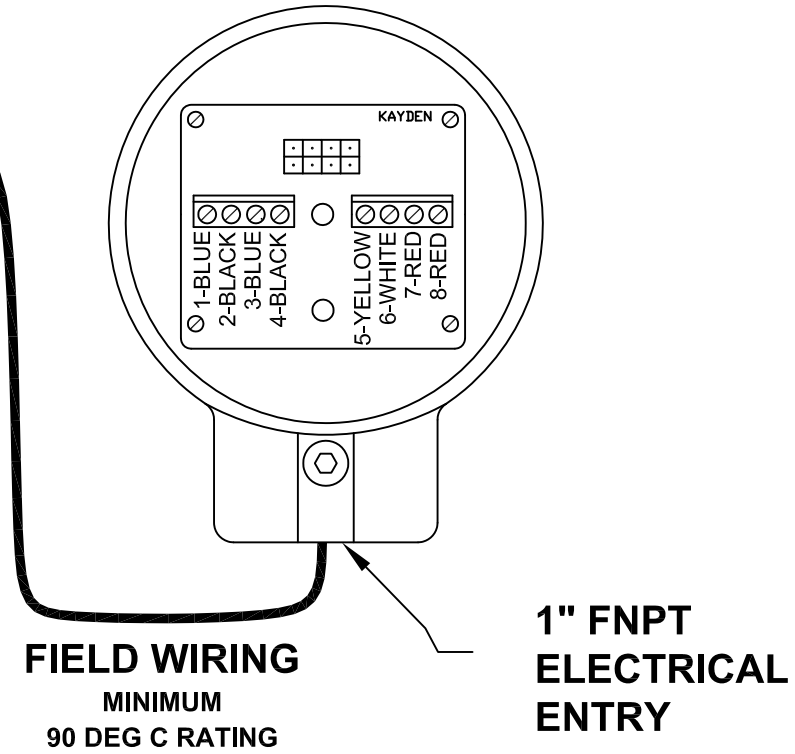
SENSOR AND REMOTE ENCLOSURE REAR VIEW



REMOTE ENCLOSURE SIDE VIEW

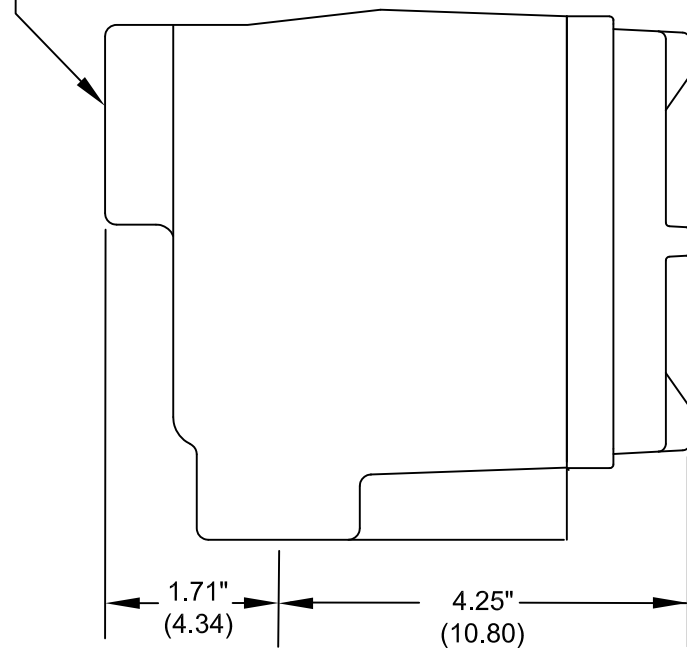


SENSOR ENCLOSURE FRONT VIEW



MOUNT SENSOR AND REMOTE ENCLOSURE USING FNPT ENTRY

SENSOR AND REMOTE ENCLOSURE SIDE VIEW



NOTES:

1. Wire sensor to remote according to connection diagram.

Rev	Description	App.	Date
0	Initial release	TDH	03Jun13

Information contained in this document is confidential and proprietary information of Telematic Controls Inc. This document may not be reproduced or distributed for any reason without express written permission of Telematic Controls Inc. All rights of design, invention and copyright are reserved.

APPROVALS		DATE	
DRN	MW	13MAY13	
CHKD	EC	21MAY13	
APP	TDH	03JUN13	
All dimensions are shown in inches with cm shown in brackets TOLERANCES ARE: DECIMALS ANGLES .X ± 0.1 ±0.5° .XX ± 0.02 .XXX ± 0.007			TITLE CLASSIC Series Sensor and Remote Flameproof Enclosure (FM)
SIZE A3	DWG NO. 7730-0000-1-FM	REV 0	
SCALE NTS		SHEET 1 OF 1	