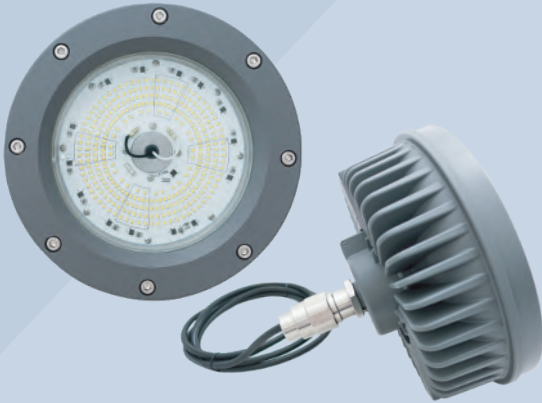


# L1217E

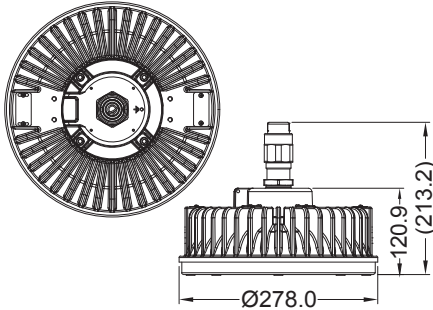


Net Weight : 10.8kg



Field Installation

Certifications :



Dimension in Millimeters

## Applicable Location

- Zone 1
- Zone 2
- Zone 21
- Zone 22
- Class I, Division 1, Groups B, C and D;
- Class I, Division 2, Groups A, B, C and D;

- Class II, Division 1, Groups E, F and G.

## Environmental Rating

- NEMA 6/6P
- IP 67/68

## Electrical Ratings

Voltage	110V / 120V / 220V / 277V AC
Frequency	50Hz / 60Hz
Amps	0.43A ~ 1.36A
Wattage	120W / 140W / 150W
Operating Temperature	-20°C ~ +40°C
Power Factor	> 0.9

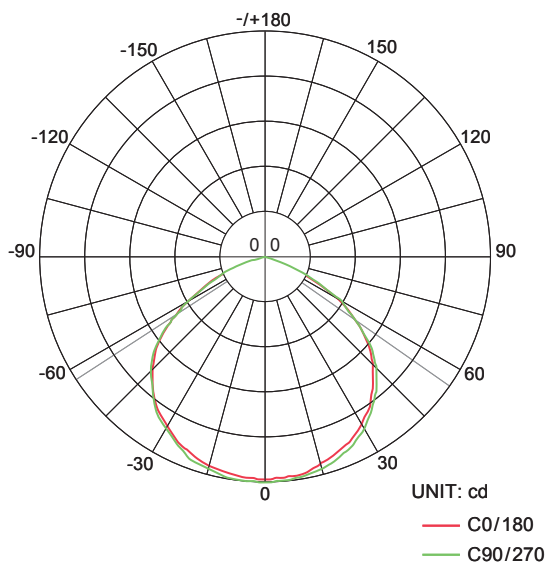
## Raw Materials

Housing	Aluminum Alloy
Screws	Stainless Steel
Tempered Glass	IEC Standards impact-resistant > 4 Joule

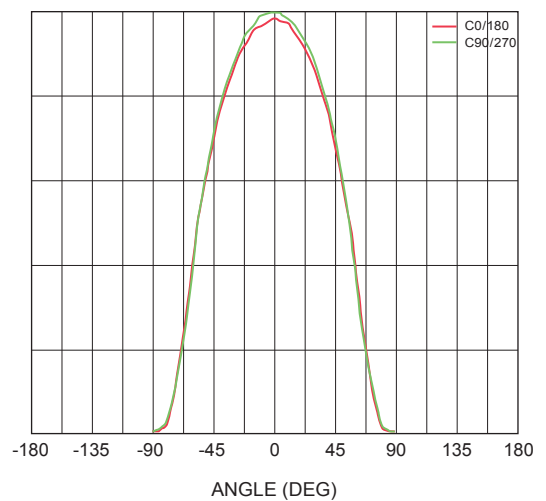
In accordance with special application requirement, THT-EX is able to offer higher specifications on Explosion-proof LED lighting devices, includes

- IP rating IP68
- Salt water spray test 1000 hours

Polar Luminous Intensity Distribution



Luminous Intensity Distribution Diagram

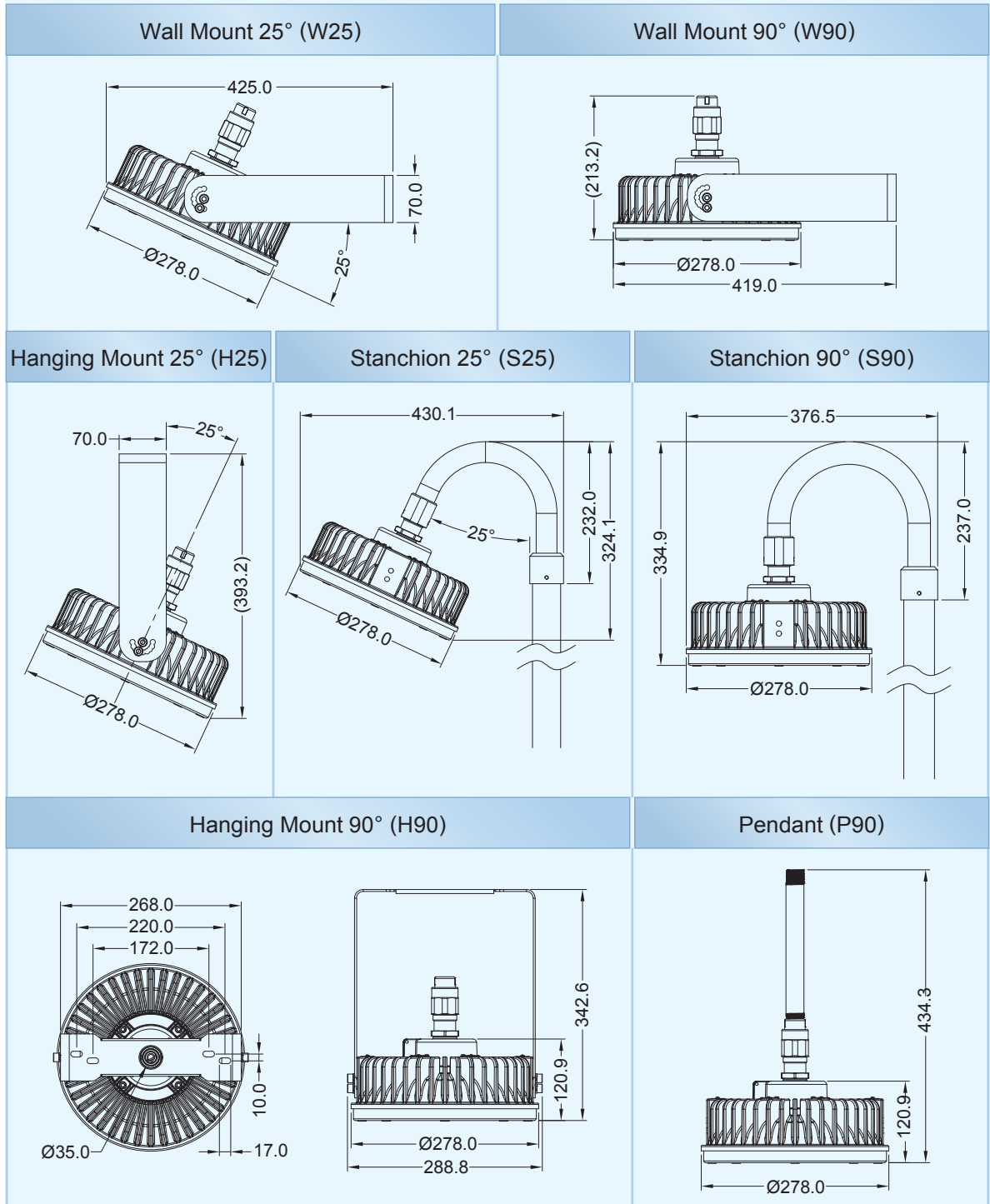


## Optical Information

CCT	3000K ± 10% ( Warm White ) 5000K ± 10% ( Cool White )
CRI	> 80 ( Warm White ) > 80 ( Cool White )
IES Files	Available upon request

## ● Standard Product



### Dimensions and Mounting(Mounting Code)



► Please refer to Page 122 for part number

# Part Number

• W.W. : 3000K±10% • C.W. : 5000K±10%

Model No.	Certifications	Watt.	Volt.	Color	Part Number
<b>L1217E</b>	 Ex d IIC T5 Gb Ex tb IIIC T100°C Db	120W	110V	W.W.	THTE1217EBKW1L0
				C.W.	THTE1217EBKC1L0
			220V	W.W.	THTE1217EBKW2L0
				C.W.	THTE1217EBKC2L0
			277V	W.W.	THTE1217EBKW9L0
				C.W.	THTE1217EBKC9L0
		140W	110V	W.W.	THTE1217EBKW1N0
				C.W.	THTE1217EBKC1N0
			220V	W.W.	THTE1217EBKW2N0
				C.W.	THTE1217EBKC2N0
			277V	W.W.	THTE1217EBKW9N0
				C.W.	THTE1217EBKC9N0
	150W	110V	W.W.	THTE1217EBKW1P0	
			C.W.	THTE1217EBKC1P0	
		220V	W.W.	THTE1217EBKW2P0	
			C.W.	THTE1217EBKC2P0	
		277V	W.W.	THTE1217EBKW9P0	
			C.W.	THTE1217EBKC9P0	
	 •Class I, Division 1, Groups B, C and D •Class I, Division 2, Groups A, B, C and D •Class II, Division 1, Groups E, F and G	120W	120V	W.W.	THTE1217EBKW6L0
				C.W.	THTE1217EBKC6L0
			277V	W.W.	THTE1217EBKW9L0
				C.W.	THTE1217EBKC9L0
		140W	120V	W.W.	THTE1217EBKW6N0
				C.W.	THTE1217EBKC6N0
277V			W.W.	THTE1217EBKW9N0	
			C.W.	THTE1217EBKC9N0	
150W		120V	W.W.	THTE1217EBKW6P0	
			C.W.	THTE1217EBKC6P0	
		277V	W.W.	THTE1217EBKW9P0	
			C.W.	THTE1217EBKC9P0	

Ordering information: Part number + Mounting code