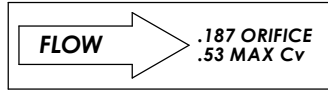
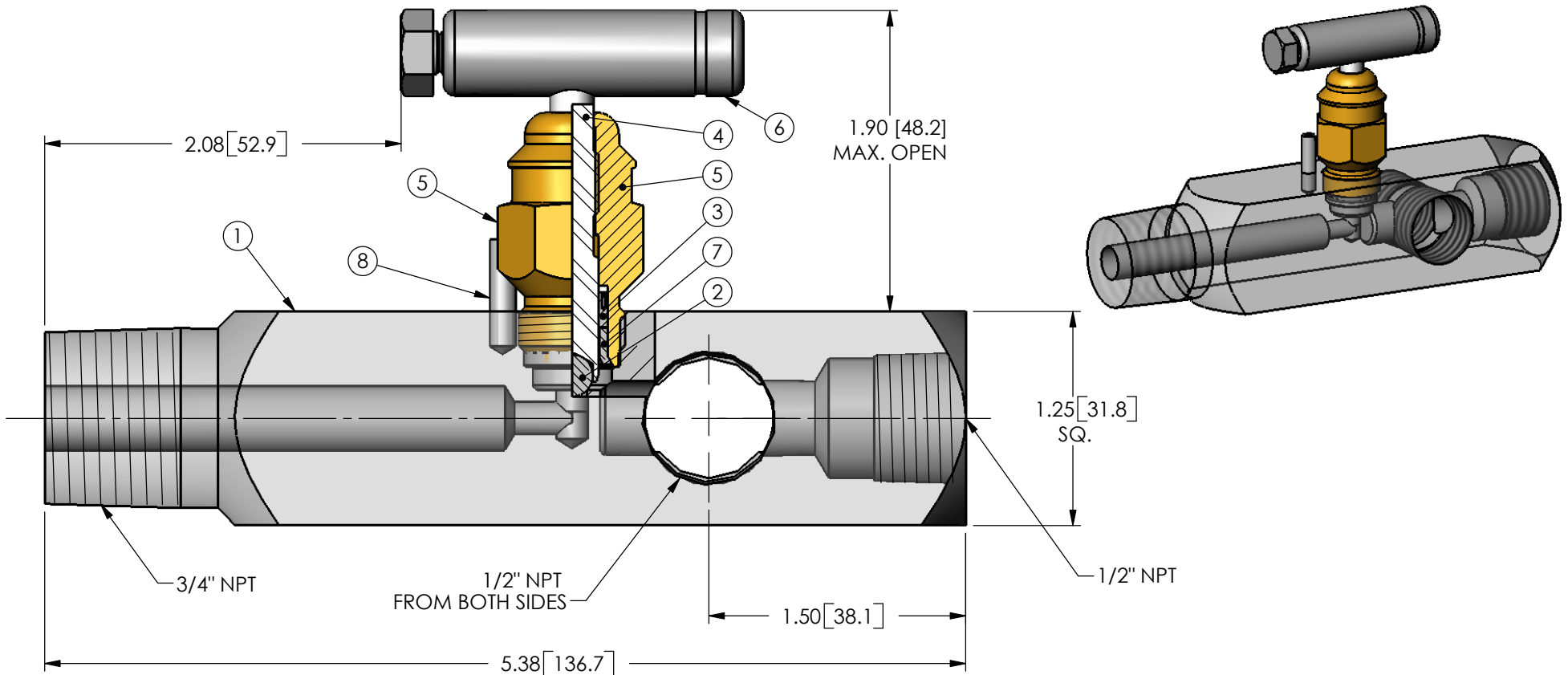


REVISIONS		
REV.	DATE	CO#
3	6/4/2005	23303



NOTES

1. DIMENSIONS IN [] ARE IN MILLIMETERS.
2. APPROX. WEIGHT 2.3 lbs. (1.0 kg.)
3. <AZ> INDICATES ALKALINE ZINC PLATED WITH DICHROMATE DIP.
4. <PO> INDICATES PHOSPHATE AND OIL.
5. <P0> AISI 1018 C.S. IS USED WHEN WELDED BODY CONNECTION ARE SPECIFIED.
6. 316 SS MANIFOLD/VALVE MEETS REQUIREMENTS OF NACE MR0175 (LATEST REV.) UP TO 140°F

PGI RESERVES THE RIGHT TO CHANGE THE DESIGN, DIMENSIONS OR MATERIAL CONTENT OF OUR PRODUCTS WITHOUT PRIOR NOTIFICATION.

PGI International

16101 VALLEN DRIVE HOUSTON, TX. 77041 (713) 466-0056 or 1-800-231-0233 FAX: (713) 744-9892

3/4"M-1/2"F HARD SEAT MULTI-PORT VALVE

APP'D	DRAWING NO. & REVISION
SCALE NONE	V-518XCT r03

PGI EXTERNAL DOCUMENT

GENERAL PRODUCT DESCRIPTION

PRODUCT PART NUMBER		V-518CCT		V-518SCT	
NO.	DESCRIPTION	10,000 PSI @ 200°F 8,000 PSI @ 450°F MAX	10,000 PSI @ 200°F 8,000 PSI @ 450°F MAX	QTY.	
1	VALVE BODY	(C) <AZ> ASTM A108-1215	(S) ASTM A479-316	1	
2	BALL (1/4")	(C) CARBIDE BALL	(C) CARBIDE BALL	1	
3	STEM SEAL	(T) TEFLON	(T) TEFLON	1	
4	STEM	ASTM A479-316	ASTM A479-316	1	
5	BONNET	<AZ> ASTM A108-1215	ASTM A479-316	1	
6	HANDLE ASSEMBLY	<AZ>ASTM A108	ASTM A582 18-8	1	
7	SEAL RETAINER	ASTM A479-316	ASTM A479-316	1	
8	ROLL PIN	300 SERIES SS	300 SERIES SS	1	