



# Pneumatic Double Acting

## Series F91 Unibody Flanged Ball Valve

Firesafe

Sizes 1/2" – 6"

Regular Port

ANSI Class 150#

Direct Actuator Mount

Available in 316SS or WCB

Anti-static Device

316SS Body, Ball and Stem

Compliant to NACE MRO175

Pyramidal Stem Packing System

Blowout-proof Stem

ISO5211 Mounting

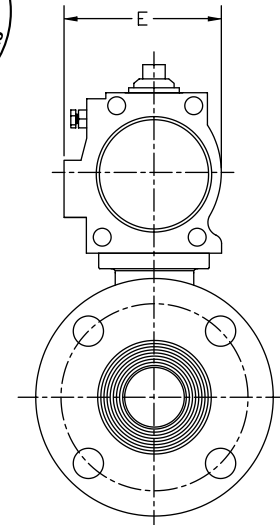
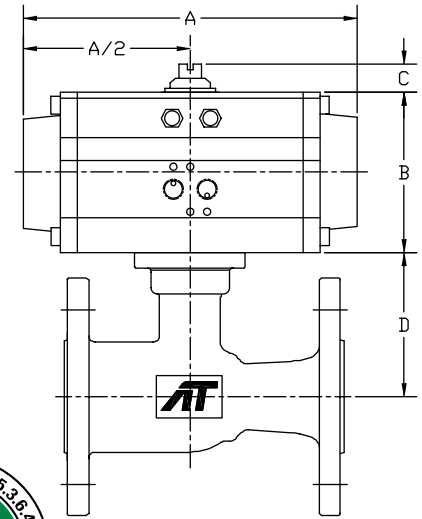
Locking Handle Standard

Each Valve is Traceable\*\*

**API 607 - 4th Edition  
CERTIFIED**



**150# Flanged  
Firesafe tested to API-607**



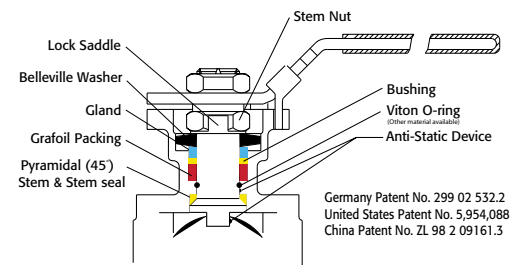
### DIMENSIONS (IN)

VALVE SIZE	A	B	C	D	E	VALVE Cv
1/2"	5.98	2.76	0.79	1.80	2.58	9
3/4"	5.98	2.76	0.79	2.02	2.58	15
1"	7.95	3.43	0.79	2.19	3.29	42
1-1/2"	9.29	4.49	0.79	2.86	4.41	125
2"	9.29	4.49	0.79	3.51	4.41	165
2-1/2"	9.29	4.49	0.79	3.80	4.41	245
3"	9.29	4.49	0.79	4.57	4.41	350
4"	11.46	5.28	0.79	5.22	5.20	680
6"	13.90	6.18	0.79	7.07	6.04	1020

DIMENSIONS SHOWN ARE FOR ASSEMBLIES SIZED FOR 80 PSI SUPPLY

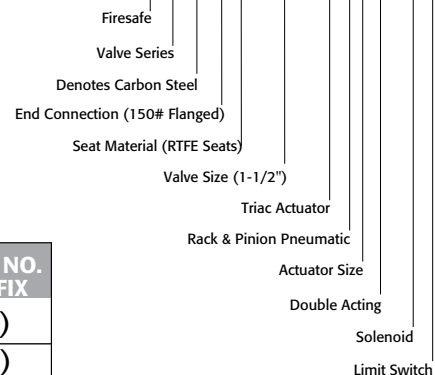
SIZED FOR 80 psi AIR SUPPLY	
SIZE	MODEL
1/2"	F91-F1-050/TR1D-XX
3/4"	F91-F1-075/TR1D-XX
1"	F91-F1-100/2R2D-XX
1-1/2"	F91-F1-150/2R3D-XX
2"	F91-F1-200/2R3D-XX
2-1/2"	F91-F1-250/2R3D-XX
3"	F91-F1-300/2R3D-XX
4"	F91-F1-400/2R5D-XX
6"	F91-F1-600/2R7D-XX

SIZED FOR 60 psi AIR SUPPLY	
SIZE	MODEL
1/2"	F91-F1-050/TR1D-XX
3/4"	F91-F1-075/TR1D-XX
1"	F91-F1-100/2R2D-XX
1-1/2"	F91-F1-150/2R3D-XX
2"	F91-F1-200/2R3D-XX
2-1/2"	F91-F1-250/2R3D-XX
3"	F91-F1-300/2R4D-XX
4"	F91-F1-400/2R5D-XX
6"	F91-F1-600/2R7D-XX



Germany Patent No. 299 02 532.2  
United States Patent No. 5,954,088  
China Patent No. ZL 98 2 09161.3

### SAMPLE PART # F91C-F1-150/2R3D-XX



### OPTIONS

DESCRIPTION	PART NO. SUFFIX	DESCRIPTION	PART NO. SUFFIX
NEMA 4 Solenoid	(A)	NEMA 4 Limit Switch (2) spdt	(A)
NEMA 7 Solenoid	(B)	NEMA 7 Limit Switch (2) spdt	(B)

Other options available - call for details  
Actuators are sized based on clean/clear fluid.

See valve part number matrix for complete part number and options.

050111-F91DA

**SERIES F91 Unibody Flanged  
Firesafe**



Triac Division  
11363 Deerfield Rd.  
Cincinnati, Ohio 45242

PHONE (513) 247-5465  
FAX (513) 247-5462  
e-mail: sales@a-tcontrols.com  
www.a-tcontrols.com