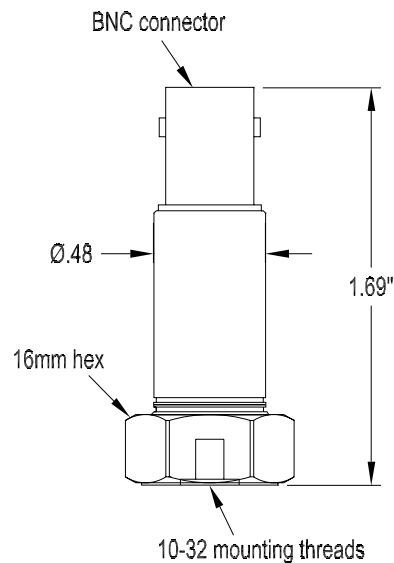


# High frequency accelerometer 732-1D



## Key features

- Wide dynamic range
- BNC connector
- Wide frequency range
- Base isolation
- Compatible with coaxial cable systems
- Elimination of ground loops
- Suitable for 1/3 octave data collection
- Detects low and high speed equipment vibration



Connections	
Function	Connector pin
power/signal	pin
common	shell

Note: Due to continuous process improvement, specifications are subject to change without notice.  
This document is cleared for public release.

Wilcoxon Sensing Technologies  
20511 Seneca Meadows Parkway  
Germantown, MD 20876  
info@wilcoxon.com

Tel: (301) 330 8811  
Fax: (301) 330 8873  
www.wilcoxon.com

Wilcoxon Sensing Technologies  
An Amphenol Company

# High frequency accelerometer 732-1D

## SPECIFICATIONS

<b>Sensitivity, <math>\pm 5\%</math>, 25° C</b>	10 mV/g
<b>Acceleration range</b>	500 g peak
<b>Amplitude nonlinearity</b>	1%
<b>Frequency response:</b>	$\pm 5\%$ 1.0 - 15,000 Hz $\pm 3$ dB 0.4 - 22,000 Hz
<b>Resonance frequency, mounted, nominal</b>	28 kHz
<b>Transverse sensitivity, max</b>	5% of axial
<b>Temperature response:</b>	-50° C -10% +120° C +5%
<b>Voltage source</b>	18 - 30 VDC
<b>Current regulating diode</b>	2 - 10 mA
<b>Electrical noise, equiv. g:</b>	
<b>Broadband</b> <b>2.5 Hz to 25 kHz</b>	250 $\mu\text{g}/\sqrt{\text{Hz}}$
<b>Spectral</b> <b>10 Hz</b>	20 $\mu\text{g}/\sqrt{\text{Hz}}$
<b>100 Hz</b>	4 $\mu\text{g}/\sqrt{\text{Hz}}$
<b>1,000 Hz</b>	2 $\mu\text{g}/\sqrt{\text{Hz}}$
<b>10,000 Hz</b>	2 $\mu\text{g}/\sqrt{\text{Hz}}$
<b>Output impedance, max</b>	100 $\Omega$
<b>Bias output voltage</b>	10 VDC
<b>Grounding</b>	base isolated
<b>Temperature range</b>	-50 to +120° C
<b>Vibration limit</b>	500 g peak
<b>Shock limit</b>	5,000 g peak
<b>Electromagnetic sensitivity, equiv. g</b>	100 $\mu\text{g}/\text{gauss}$
<b>Base strain sensitivity</b>	0.005 g/ $\mu\text{strain}$
<b>Sensing element design</b>	PZT, compression
<b>Weight</b>	28 grams
<b>Case material</b>	316L stainless steel
<b>Mounting</b>	10-32 tapped hole
<b>Output connector</b>	BNC coaxial
<b>Mating connector</b>	R2
<b>Recommended cabling</b>	J93

## Contact

Wilcoxon Sensing  
Technologies

20511 Seneca Meadows Parkway  
Germantown MD 20876, USA

Tel: +1 301 330 8811  
Fax: +1 301 330 8873

info@wilcoxon.com

www.wilcoxon.com

## Accessories supplied:

- Calibration data (level 3)
- SF1 mounting stud (metric stud available)

Note: Due to continuous process improvement, specifications are subject to change without notice.  
This document is cleared for public release.

Wilcoxon Sensing Technologies  
20511 Seneca Meadows Parkway  
Germantown, MD 20876  
info@wilcoxon.com

Tel: (301) 330 8811  
Fax: (301) 330 8873  
www.wilcoxon.com

Wilcoxon Sensing Technologies  
An Amphenol Company