

INTERNATIONAL METAL ENGINEERING

MODEL 1088 STAINLESS STEEL EXPLOSION PROOF THERMOCOUPLE HEAD

- EXPLOSION PROOF CERTIFIED
- IP68 CONSTRUCTION
- WIDE SELECTION OF CONDUIT SIZES
- OPTION FOR A CUSTOMIZED SS NAMEPLATE
- WIDE RANGE OF ACCESSORIES
- SUITABLE FOR LARGE DEVICES 64MM(2.5")



Specifications

Material of Construction:

SS 316, Stainless Steel

Certification:

ATEX / IECEx Explosion Proof Certified, IP68

Connections

1/2" NPT, 3/4" NPT, 1/2" BSP, M20x1.5P

Mounting Holes

See attached drawing

Surface Finishing

Electro Polish

"O" Ring

Buna "N"

Weight

1.2 KG (2.7 lbs)

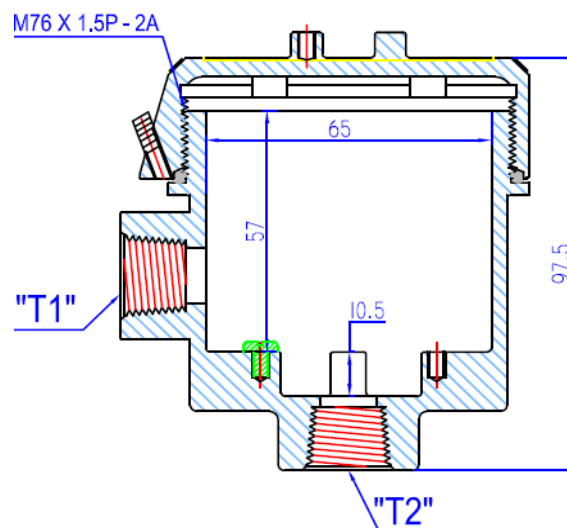
Accessories

SS Ball Chain, Terminal Block(Ceramic/Bakelite, Optional)

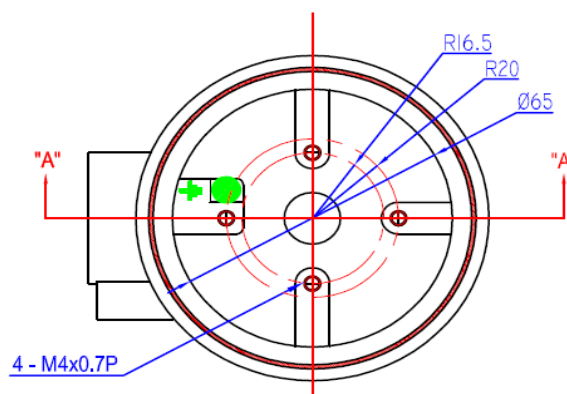
Custom Designed SS Nameplate

Dimensions

Assembly Drawing



M4 X 0.7 Mounting Hole Positions



Ordering Information for Explosion Proof Heads

Model	Description														
1088ST	ATEX/IECEx Ex-Proof Certified, IP68, SS 316 Thermocouple Head with Provision for Name Plate, Electro-Polished														
	<table border="1"> <thead> <tr> <th>Code</th> <th>Thread Size</th> </tr> </thead> <tbody> <tr> <td>01</td> <td>T1=3/4" NPT T2=1/2" NPT</td> </tr> <tr> <td>02</td> <td>T1=1/2" NPT T2=1/2" NPT</td> </tr> <tr> <td>05</td> <td>T1=M20 x 1.5 T2=1/2" BSP</td> </tr> <tr> <td>08</td> <td>T1=M20 x 1.5 T2=1/2" NPT</td> </tr> <tr> <td>33</td> <td>T1=3/4" NPT T2=3/4" NPT</td> </tr> <tr> <td>XX</td> <td>Specify Specify</td> </tr> </tbody> </table>	Code	Thread Size	01	T1=3/4" NPT T2=1/2" NPT	02	T1=1/2" NPT T2=1/2" NPT	05	T1=M20 x 1.5 T2=1/2" BSP	08	T1=M20 x 1.5 T2=1/2" NPT	33	T1=3/4" NPT T2=3/4" NPT	XX	Specify Specify
Code	Thread Size														
01	T1=3/4" NPT T2=1/2" NPT														
02	T1=1/2" NPT T2=1/2" NPT														
05	T1=M20 x 1.5 T2=1/2" BSP														
08	T1=M20 x 1.5 T2=1/2" NPT														
33	T1=3/4" NPT T2=3/4" NPT														
XX	Specify Specify														

1088ST - 01 ← Typical Model Number

Ordering Information for General Purpose Heads

Model	Description														
1088SN	SS 316 Thermocouple Head with Provision for Name Plate Electro-Polished														
1088SF	SS 316 Thermocouple Head, Electro-Polished (Clear Cover)														
	<table border="1"> <thead> <tr> <th>Code</th> <th>Thread Size</th> </tr> </thead> <tbody> <tr> <td>01</td> <td>T1=3/4" NPT T2=1/2" NPT</td> </tr> <tr> <td>02</td> <td>T1=1/2" NPT T2=1/2" NPT</td> </tr> <tr> <td>05</td> <td>T1=M20 x 1.5 T2=1/2" BSP</td> </tr> <tr> <td>08</td> <td>T1=M20 x 1.5 T2=1/2" NPT</td> </tr> <tr> <td>33</td> <td>T1=3/4" NPT T2=3/4" NPT</td> </tr> <tr> <td>XX</td> <td>Specify Specify</td> </tr> </tbody> </table>	Code	Thread Size	01	T1=3/4" NPT T2=1/2" NPT	02	T1=1/2" NPT T2=1/2" NPT	05	T1=M20 x 1.5 T2=1/2" BSP	08	T1=M20 x 1.5 T2=1/2" NPT	33	T1=3/4" NPT T2=3/4" NPT	XX	Specify Specify
Code	Thread Size														
01	T1=3/4" NPT T2=1/2" NPT														
02	T1=1/2" NPT T2=1/2" NPT														
05	T1=M20 x 1.5 T2=1/2" BSP														
08	T1=M20 x 1.5 T2=1/2" NPT														
33	T1=3/4" NPT T2=3/4" NPT														
XX	Specify Specify														

1088SN - 01 ← Typical Model Number

Certification System (For Model 1088ST only)



ATEX II 2GD
Ex d IIC Gb Ta = -40 °C to 85 °C
Ex tb IIIC Db IP68



Ex d IIC Gb Ta = -40 °C to 85 °C
Ex tb IIIC Db IP68