

L1705A

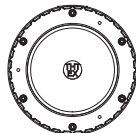
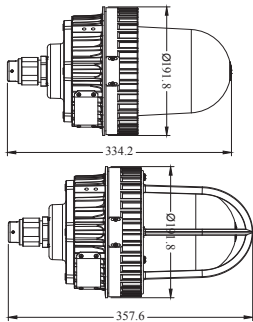


Net Weight : 7.4 kg



Field Installation

Certifications :



Dimension in Millimeters

Applicable Location

- Class I, Division 2, Group A, B, C and D
- Class II, Division 1, Group E, F and G

Environmental Rating

- NEMA 6/6P
- IP 67/68

Applicable Area

- Oil Refinery Complex
- Petrochemical Complex
- Painting Facility
- Transporting Nature Gas
- Transporting Liquefied Petroleum Gas
- Offshore Platform (Oil and Natural Gas)

Electrical Ratings

Voltage	120V / 277VAC
Frequency	50Hz / 60Hz
Amps	0.07~0.17A
Wattage	20W
Ambient Temperature	-40°C ~ +40°C
Power Factor	> 0.95

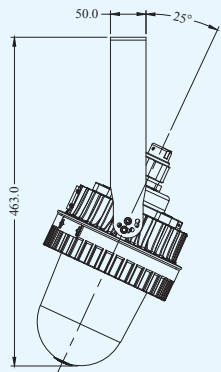
Raw Materials

Housing	Aluminum Alloy
Screws	Stainless Steel
Tempered Glass	IEC Standards impact-resistant > 4 Joule

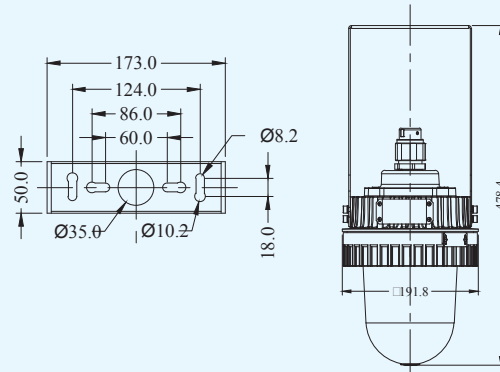
● Standard Product

Dimensions and Mounting(Mounting Code)

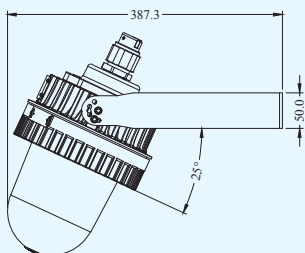
Hanging Mount 25° (H25)



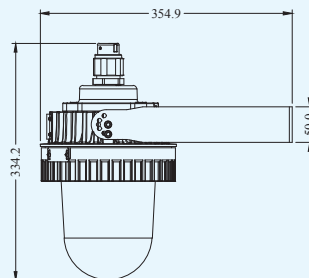
Hanging Mount 90° (H90)



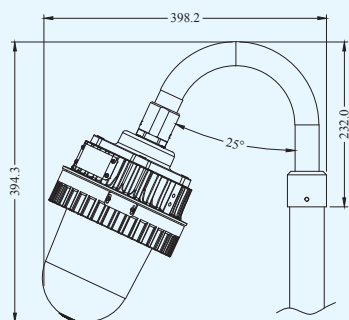
Wall Mount 25° (W25)



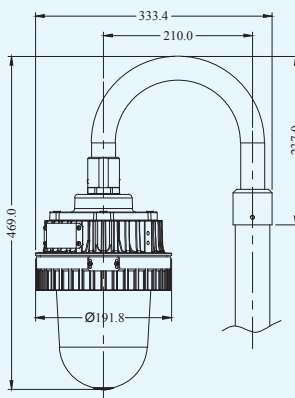
Wall Mount 90° (W90)



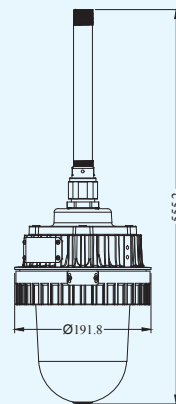
Stanchion 25° (S25)



Stanchion 90° (S90)



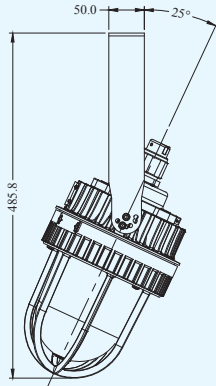
Pendant (P90)



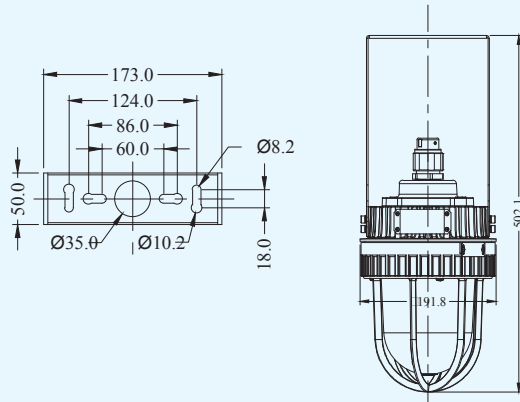
● **With optional accessory “Guard”**

Dimensions and Mounting(Mounting Code)

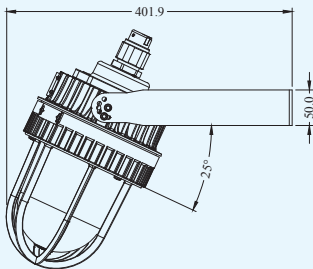
Hanging Mount 25° (H25G)



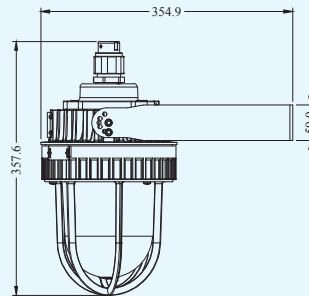
Hanging Mount 90° (H90G)



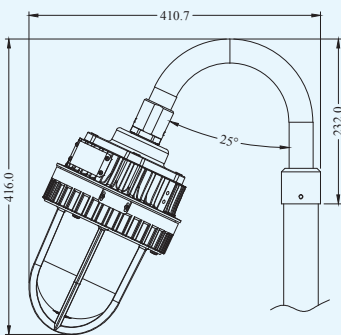
Wall Mount 25° (W25G)



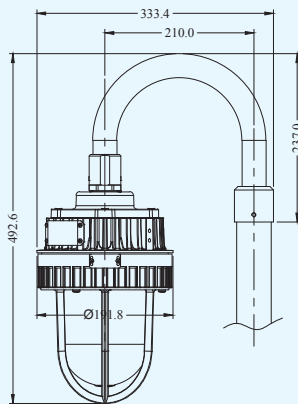
Wall Mount 90° (W90G)



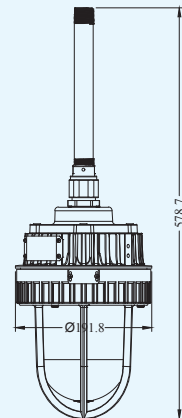
Stanchion 25° (S25G)



Stanchion 90° (S90G)




Pendant (P90G)



Part Number

• W.W. : 3000K±10% • C.W. : 5000K±10%

Model No.	Certifications	Watt.	Volt.	Color	Part Number
L1705A	 <ul style="list-style-type: none"> • UL844 Class I, Division 2, Group A, B, C and D Class II, Division 1, Group E, F and G • UL1598 	20W	120V 277V	W.W.	THTH1705ABBW * B0
				C.W.	THTH1705ABBC * B0
				Red	THTH1705ABBR * B0
				Green	THTH1705ABBG * B0

Ordering information: Part number + Mounting code

*6: 120V 9: 277V