



# Electric

## Automated Ball Valve Package

Series 90/93  
ANSI 150#  
Flanged Ball Valve

Full Port Valve  
ANSI Class 150  
Available 1/2" – 12"  
316SS or WCB Body  
316SS Ball & Stem  
Belleville Washers  
Chevron Packing  
RTFE Seats Standard

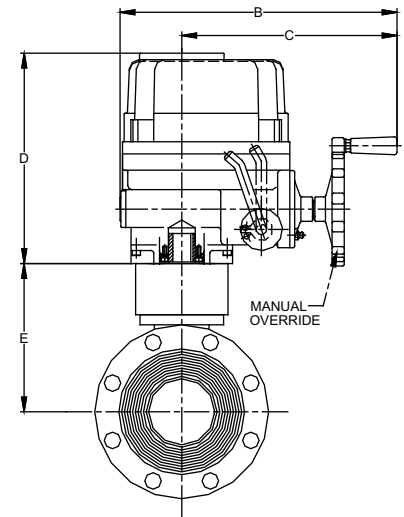
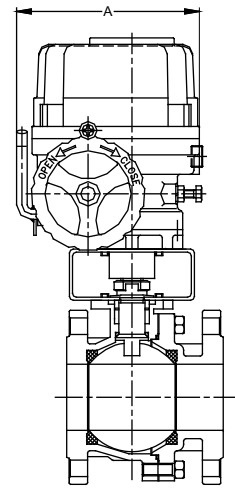
For 10" and 12", call factory

### STANDARDS

Design	ANSI B16.34
Face to Face	ANSI B16.10
Flange Dimensions	ANSI B16.5
Pipeline Valves	API 6D
Pressure Testing	API 598
Mounting Pad	ISO 5211
Marking System for Valves	MSS SP-25
Material Certification	EN 10204
Quality Assurance	ISO 9001



150# Flanged



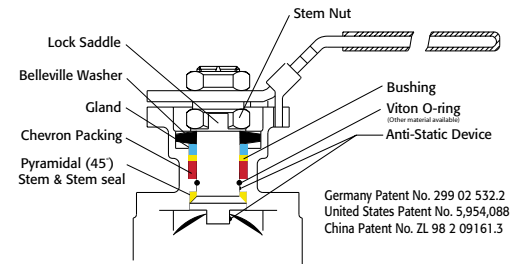
### DIMENSIONS (IN)

VALVE SIZE	A	B	C	D	E	VALVE Cv
1/4"	4.94	4.08	N/A	5.24	2.90	15
3/4"	4.94	4.08	N/A	5.24	3.20	45
1"	4.94	4.08	N/A	5.24	3.52	85
1-1/2"	4.94	4.08	N/A	5.24	5.05	275
2"	4.94	4.08	N/A	5.24	5.37	460
2-1/2"	9.02	13.31	10.43	10.55	5.80	700
3"	9.02	13.31	10.43	10.55	6.85	1100
4"	10.20	14.49	11.26	11.42	7.44	2200
6"	11.69	16.14	12.09	12.99	9.96	5150
8"	12.58	16.14	12.09	22.17	14.86	10000

SERIES 90/93 150# Flanged

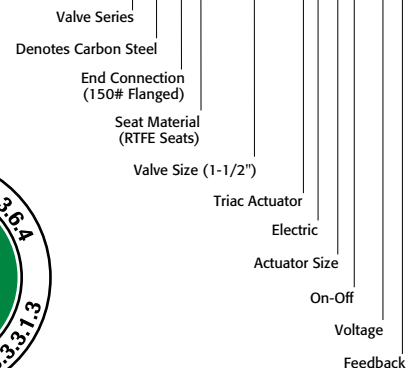
ON-OFF	
SIZE	MODEL
1/2"	90-F1-050/WEA1-XX
3/4"	90-F1-075/WEA1-XX
1"	90-F1-100/WEA1-XX
1-1/2"	90-F1-150/WEA1-XX
2"	90-F1-200/WEB1-XX
2-1/2"	90-F1-250/WEC1-XX
3"	90-F1-300/WEC1-XX
4"	90-F1-400/WEE1-XX
6"	93-F1-600/WEH1-XX
8"	93-F1-800/WEK1-XX

MODULATING	
SIZE	MODEL
1/2"	90-F1-050/WEA2-XX
3/4"	90-F1-075/WEA2-XX
1"	90-F1-100/WEA2-XX
1-1/2"	90-F1-150/WEA2-XX
2"	90-F1-200/WEB2-XX
2-1/2"	90-F1-250/WEC2-XX
3"	90-F1-300/WEC2-XX
4"	90-F1-400/WEE2-XX
6"	93-F1-600/WEH2-XX
8"	93-F1-800/WEK2-XX



Germany Patent No. 299 02 532.2  
United States Patent No. 5,954,088  
China Patent No. ZL 98 2 09161.3

### SAMPLE PART # 90C-F1-150/WEA1-XX



### OPTIONS

DESCRIPTION
24 VAC/24 VDC/220VAC
Feedback potentiometer

NOTE: Heater and thermostat standard  
(2) auxiliary switches standard

Other options available - call for details  
Actuators are sized based on clean/clear fluid.

See valve part number matrix for complete part number and options.  
TA-Luft certification applies to Series 90 only



Triac Division  
11363 Deerfield Rd.  
Cincinnati, Ohio 45242  
PHONE (513) 247-5465  
FAX (513) 247-5462  
e-mail: sales@a-tcontrols.com  
www.a-tcontrols.com

# Valve Options

## Various Seat Materials

PTFE, RTFE, 50/50, 15% CFTE, Delrin PEEK, Hard Facing, UHMWPE, TFM-1600

Several hard face and metal-metal options

## Gear Operators

Quarter-turn Gear Operators

Spring Return "Deadman" Handles

Oval handles, TEE Handles

## Specials and Solutions

Steam Jackets

Stem Extensions

V-ported Control Valves

Multi-port Valve Solutions

Fugitive Emissions Bonnets (TSM's)

Oxygen Cleaning

Lockout Brackets

Vented Balls

"No Play" Mounting Kits

- **FM Approved Valves and Assemblies**



Triac Division  
11363 Deerfield Rd.  
Cincinnati, Ohio 45242

PHONE (513) 247-5465  
FAX (513) 247-5462  
e-mail: sales@a-tcontrols.com  
www.a-tcontrols.com

050111-90\_93

# Other Products

## Special Seats

Balls and Seal Designs



## Steam Jacketed Valves



## Floor Mounted Damper Drives



## Limit Switches

Mounted on Manual Valves



## Fusible Link Assemblies



## 180° Actuators



## Lockout Mounting Kits



## Stem Extensions



## Special Multi-Port Valves



## Dual Valve Assemblies

