

Low-frequency intrinsically safe accelerometer

787-500-IS

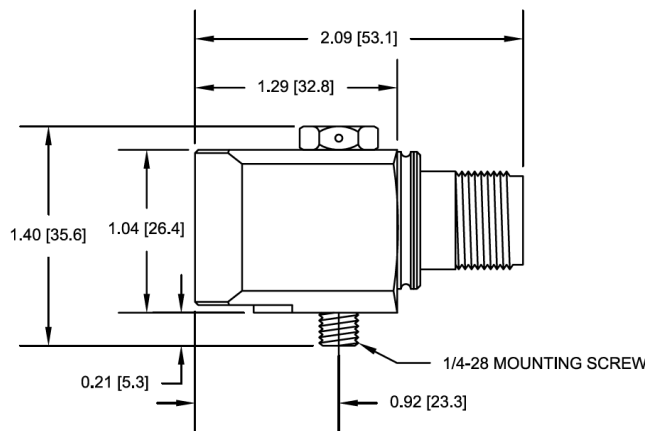
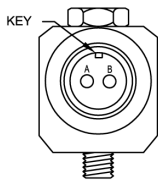


Wilcoxon's side-exit broadband sensor is certified for usage hazardous areas. The high-sensitivity accelerometer offers an interior sensing element capable of producing 500 mV/g, outputting clear signals at low vibration levels. The low-end frequency response makes it ideal for slow-speed applications such as wind turbine generators and cooling towers. A high top-end frequency response offers clear signals for early bearing fault detection, gearbox wear, and other high-speed applications. The sensor is supplied with a 2 pin MIL-5015 connector.

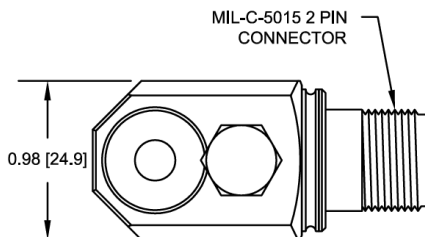
The 787-500-IS sensor is classified for usage in Class I Division 1/Zone 0/1 locations where ignitable concentrations of flammable gases, vapors or liquids are present continuously under normal operating conditions. Class I areas are defined into groups by the presence of the following flammable material:

- Group A - Acetylene
- Group B - Hydrogen
- Group C - Ethylene
- Group D - Propane

For proper protection the installation drawing must be followed.



Connections	
Function	Connector pin
power / signal	A
common	B
ground	shell



Key features

- High sensitivity
- Clear signals at low vibration levels
- Extended low frequency response
- Class I, Div 1/Zone 0/1 certified
- Mounts in any orientation
- Hermetically sealed
- ESD-protected
- Reverse wiring protection
- Manufactured in an approved ISO 9001 facility

Certifications

US
 Class I, Div 1 Groups A, B, C, D
 Class II, Div 1 Groups E, F, G
 Class III, Div 1
 Class I, Zone 0, Ex ia IIC T4
 Class I, Zone 0, AEx ia IIC T4
 Tamb: -50°C to 120°C

II 1 G
 Ex ia IIC T4 Ga
 -50°C ≤ Ta ≤ 120°C



For hazardous area locations, sensor must be installed in accordance with installation instructions or local code requirements. Special conditions for safe use: for applications in explosive atmospheres caused by gases, vapors or mists and where the use of apparatus of category 1 G is required, electrostatic charges on cable and non-metallic parts of the enclosure shall be avoided. The ambient temperature range for these applications is -40°C ≤ Tamb ≤ +80°C.



Note: Due to continuous process improvement, specifications are subject to change without notice. This document is cleared for public release.

Wilcoxon Sensing Technologies
 20511 Seneca Meadows Parkway
 Germantown, MD 20876
 info@wilcoxon.com

Tel: (301) 330 8811
 Fax: (301) 330 8873
 www.wilcoxon.com

Wilcoxon Sensing Technologies
 An Amphenol Company

Low-frequency intrinsically safe accelerometer

787-500-IS

SPECIFICATIONS

Sensitivity, $\pm 5\%$, 25° C	500 mV/g
Acceleration range, VDC >22V	10 g peak
Amplitude nonlinearity	1%
Frequency response¹:	
$\pm 10\%$	0.5 - 5,000 Hz (30 - 300,000 CPM)
± 3 dB	0.2 - 10,000 Hz (12 - 600,000 CPM)
Resonance frequency	22 kHz (1.32 kCPM)
Transverse sensitivity, max	5% of axial
Temperature response	
-20° C	-10%
+120° C	+10%
Voltage source	18 - 28 VDC
Current regulating diode	2 - 10 mA
Electrical noise, equiv g:	
Broadband 2.5 Hz to 25 kHz	250 μ g
Spectral 10 Hz	2.5 μ g \sqrt Hz
100 Hz	1.5 μ g \sqrt Hz
1000 Hz	1.5 μ g \sqrt Hz
Output impedance, max	100 Ω
Bias output voltage	12 VDC
Grounding	case isolated, internally shielded
Temperature range	-50 to +120° C (-58 to 248° F)
Vibration limit	500 g peak
Shock limit	5,000 g peak
Electromagnetic sensitivity, equiv g, max	70 μ g/gauss
Sealing	hermetic
Base strain sensitivity, max	0.0002 g/ μ strain
Sensing element design	PZT, shear
Weight	145 grams (5.11 oz)
Case material	316L stainless steel
Mounting	1/4-28 captive hex head screw, 0.046" diameter safety wire hole
Output connector	2 pin, MIL-C-5015 style
Mating connector	R6 type
Recommended cabling	J10 / J9T2A, <100 ft

Contact

Wilcoxon Sensing Technologies

20511 Seneca Meadows Parkway
Germantown MD 20876, USA

Tel: +1 301 330 8811
Fax: +1 301 330 8873

info@wilcoxon.com

www.wilcoxon.com

Accessories supplied:

- Calibration data (level 2)
- 1/4-28 captive hex head screw

Note: ¹ Frequency response limits, spectral and noise values are typical.

Note: Due to continuous process improvement, specifications are subject to change without notice.
This document is cleared for public release.

Wilcoxon Sensing Technologies
20511 Seneca Meadows Parkway
Germantown, MD 20876
info@wilcoxon.com

Tel: (301) 330 8811
Fax: (301) 330 8873
www.wilcoxon.com

Wilcoxon Sensing Technologies
An Amphenol Company