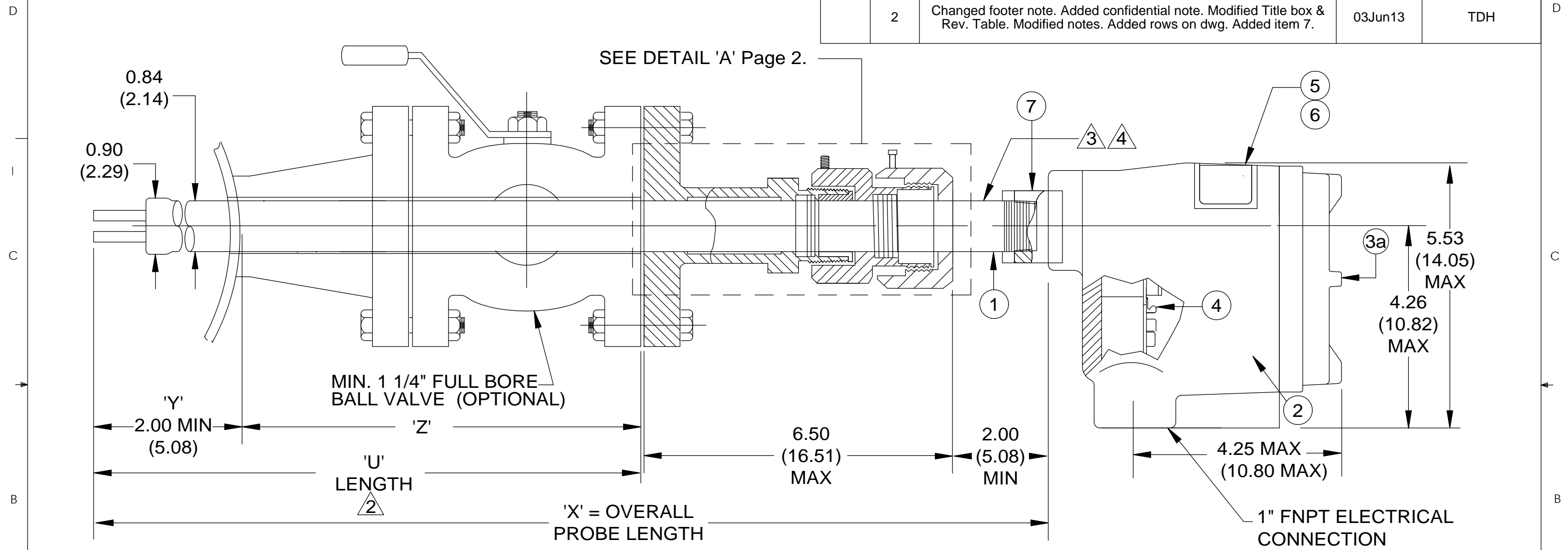


REVISIONS				
ZONE	REV.	DESCRIPTION	DATE	APPROVED
All	0	Initial Release	09May02	Webster
	1	Edited text	13Apr11	
	2	Changed footer note. Added confidential note. Modified Title box & Rev. Table. Modified notes. Added rows on dwg. Added item 7.	03Jun13	TDH



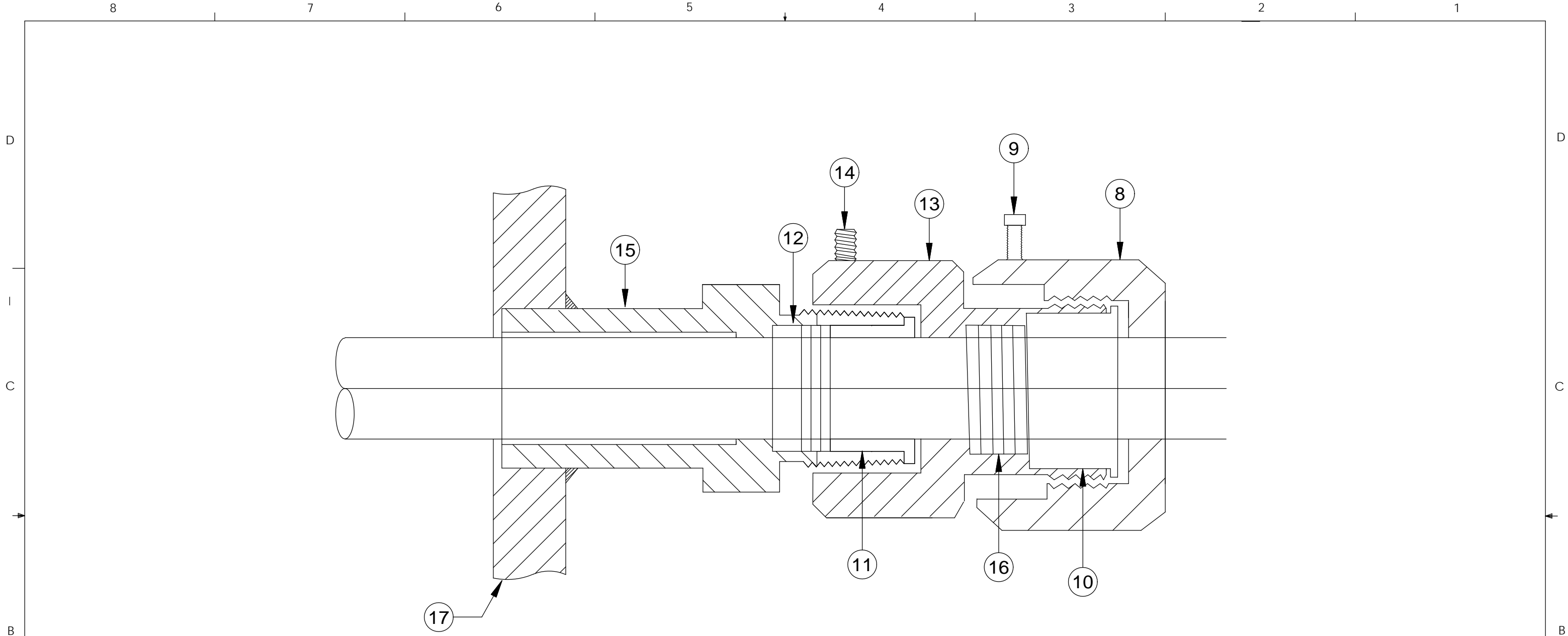
- NOTES:**
- 1. (1) to (16) see parts list Page 2.
  - 2. Customer specified 'U' length. 'U' =
  - 3. 4. Install top and bottom mounted units in horizontal pipe with flow arrow  $\longleftrightarrow$  parallel to flow direction.
  - 5. Flange: Size: \_\_\_\_\_ Material:

UNLESS OTHERWISE SPECIFIED:		NAME	DATE
DIMENSIONS ARE IN INCHES	DRAWN	MW	13MAY13
TOLERANCES: ANGULAR: 0.5°	CHECKED	EC	22MAY13
ONE PLACE DECIMAL ±0.1	ENG APPR.	TDH	03JUN13
TWO PLACE DECIMAL ±0.02			
THREE PLACE DECIMAL ±0.007			
INTERPRET GEOMETRIC TOLERANCING PER:	COMMENTS:		
MATERIAL			
FINISH			
DO NOT SCALE DRAWING			



TITLE: **CLASSIC 814 Series**  
Packing Gland - Flanged - 1" MNPT  
Low Pressure (50 PSI)  
Remote Electronics

SIZE	DWG. NO.	REV
<b>B</b>	D15-814-RAAYYYAT-IXXXX-RE	2



**NOTES:**

- 1. All components - 316 Stainless Steel (except packing)

UNLESS OTHERWISE SPECIFIED:		NAME	DATE
DIMENSIONS ARE IN INCHES	DRAWN	MW	13MAY13
TOLERANCES: ANGULAR: 0.5°	CHECKED	EC	22MAY13
ONE PLACE DECIMAL ±0.1	ENG APPR.	TDH	03JUN13
TWO PLACE DECIMAL ±0.02			
THREE PLACE DECIMAL ±0.007			
INTERPRET GEOMETRIC TOLERANCING PER:	COMMENTS:		
MATERIAL			
FINISH			
DO NOT SCALE DRAWING			

**KAYDEN**<sup>®</sup>  
INSTRUMENTS

TITLE:  
**CLASSIC 814 Series**  
Packing Gland - Flanged - 1" MNPT  
Low Pressure (50 PSI)  
Local/Remote Electronics: Detail 'A' Drawing

SIZE	DWG. NO.	REV
<b>B</b>	D15-814-RAAYYYAT-IXXXX-RE	2

BOM			
ITEM	DESCRIPTION	PART NUMBER	QTY
*1	Sensor 1" MNPT	P22-RAAYYYAT-IXXXX-M	1
2	Flameproof Enclosure (3/4" x 1" FNPT)	N10-100A-D	1
3a	<input type="checkbox"/> Glass Lens Cover - Flameproof	M10-1G00	1
3b	<input checked="" type="checkbox"/> Blind Cover - Flameproof	M10-1B00	1
4	Remote Terminal Assembly For Sensor Enclosure	1790-0622-C	1
5	Nameplate, Foil	2400-0002	1
6	Nameplate, Overlay	2401-0001	1
7	Hardware Reducer 3/4" x 1/2" (Optional)	2510-0021	1
***** ITEMS 8 THROUGH 17 REFER TO PAGE 2 (DETAIL 'A') *****			
8	Nut	2510-0413-2	1
9	Hex Cap Screw, 1/4" - 28 x 1/2" SS	2540-0020	2
10	Packing Follower	2510-0307-B	2
11	Seal Follower	2510-0304-B	1
12	Seal (U-Cup)	2510-0440	1
13	Nut w/Coupling	2510-0306-B	17"
14	stainless Steel Set Screw, 10-24 x 3/8" Allen	2540-0021	1
15	Sleeve	2510-0300-B	1
16	1/8" SQ. Teflon	Z2510-0429	1
17	Flange	YYY	1

**NOTES:**

**\*1. a) Sensor Assembly Selection Guide:**

P22-RAAYYYAT-IXXXX-M Where XXXX = Desired Probe 'U' Length.


eg. 'U' Length = 3.5" = P22-RAAYYYAT-I0035-M or 36" = P22-RAAYYYAT-I0360-M

b) I = Imperial (inches)

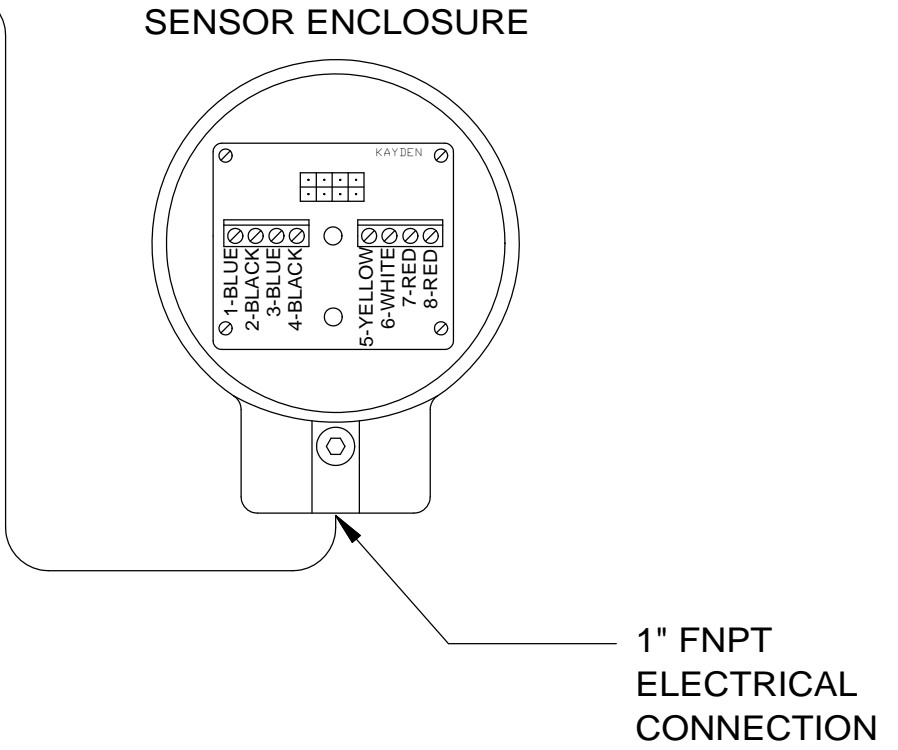
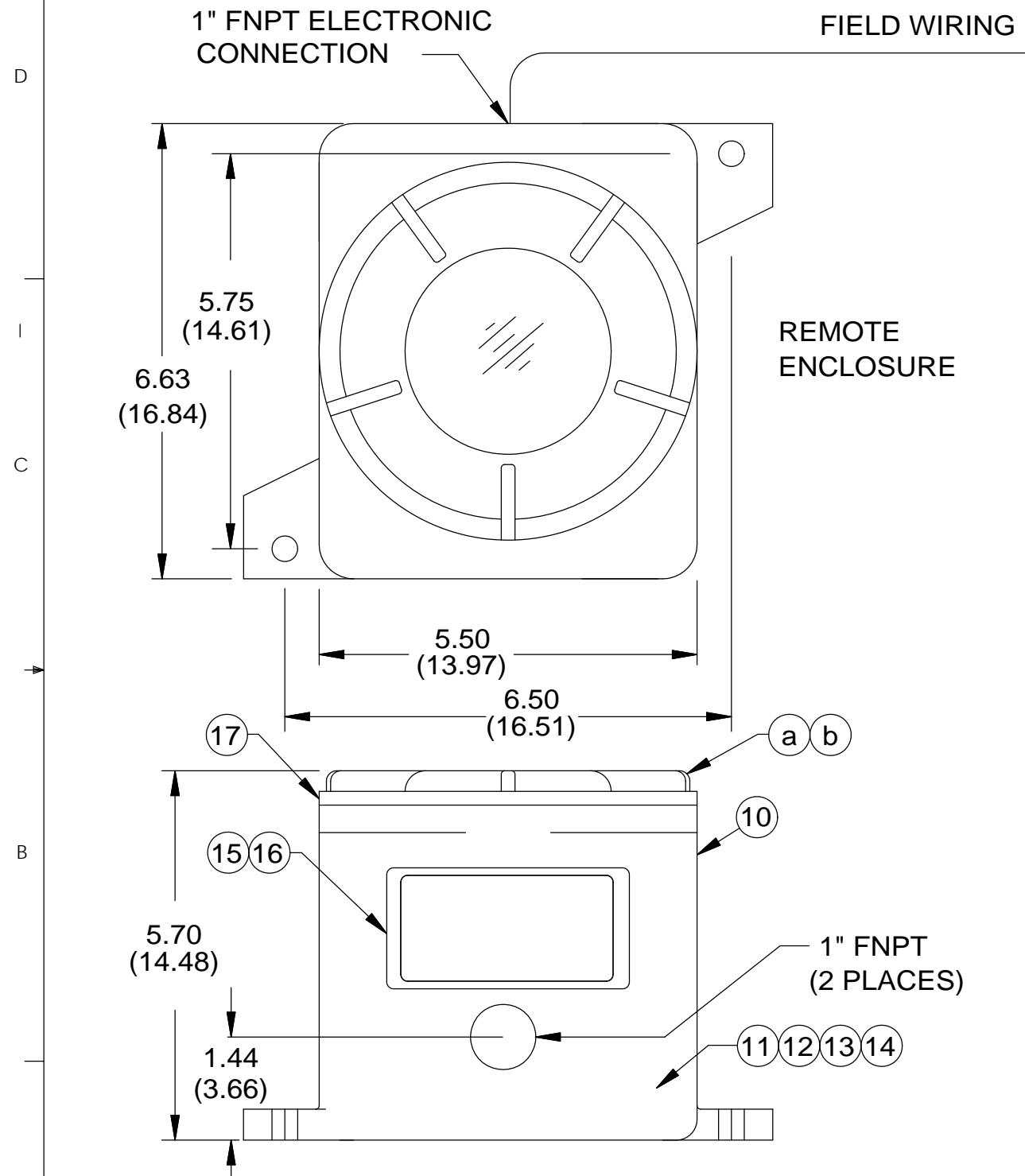
M = Metric (cm)

c) P22-RAAYYYAT-IXXXX-M (Where YYY = Code for type of flange)

eg. Flange = 1 1/2". 150# = (P22-RAA131AT-IXXXX-M) See flange list

UNLESS OTHERWISE SPECIFIED:		NAME	DATE		
DIMENSIONS ARE IN INCHES		DRAWN	MW		13MAY13
TOLERANCES: ANGULAR: 0.5°		CHECKED	EC		22MAY13
ONE PLACE DECIMAL ±0.1 TWO PLACE DECIMAL ±0.02 THREE PLACE DECIMAL ±0.007		ENG APPR.	TDH		03JUN13
INTERPRET GEOMETRIC TOLERANCING PER:		COMMENTS:		TITLE: <b>Parts List - CLASSIC 814 Series</b> Packing Gland - Flanged - 1" MNPT Low Pressure (50 PSI) Remote Electronics	
MATERIAL				SIZE <b>B</b>	
FINISH				DWG. NO. D15-814-RAAYYYAT-IXXXX-RE	
DO NOT SCALE DRAWING				REV 2	
KAYDEN INSTRUMENTS		Calgary, Alberta, Canada		Phone: +1.403.253.1423	
kayden.com		SCALE: NTS		WEIGHT:	
				SHEET 3 OF 3	

REVISIONS				
ZONE	REV.	DESCRIPTION	DATE	APPROVED
All	0	Initial Release	03Jun13	TDH



**NOTES:**  
 1. WIRE ACCORDING TO CONNECTION DIAGRAM.

UNLESS OTHERWISE SPECIFIED:		NAME	DATE
DIMENSIONS ARE IN INCHES	DRAWN	MW	13MAY13
TOLERANCES: ANGULAR: 0.5°	CHECKED	EC	21MAY13
ONE PLACE DECIMAL ±0.1	ENG APPR.	TDH	03JUN13
TWO PLACE DECIMAL ±0.02			
THREE PLACE DECIMAL ±0.007			
INTERPRET GEOMETRIC TOLERANCING PER:	COMMENTS:		
MATERIAL			
FINISH			
DO NOT SCALE DRAWING			




TITLE:  
**CLASSIC Series**  
 Remote Electronics  
 Flameproof Enclosure (CSA)

SIZE	DWG. NO.	REV
<b>B</b>	7730-0000-CSA	0

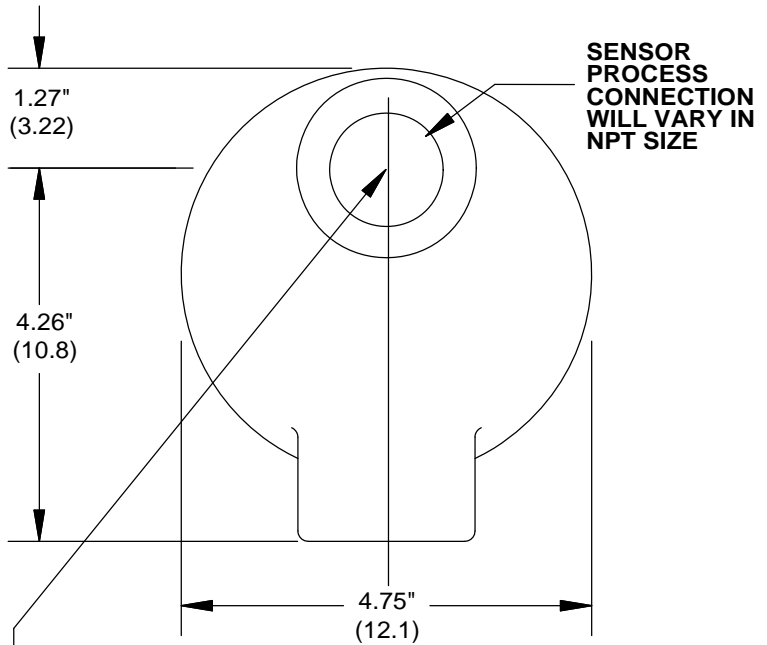
SCALE: NTS	WEIGHT:	SHEET 1 OF 2
------------	---------	--------------

BOM			
ITEM	DESCRIPTION	PART NUMBER	QTY
10	Flameproof Remote Enclosure	1409-1201	1
a	<input type="checkbox"/> Glass Lens Cover - Flameproof	1409-1208	1
b	<input type="checkbox"/> Blind Cover - Flameproof	1409-1207	1
11	Terminal Assembly	2511-0012	1
12	Ground Screw	2540-0023	1
13	CLASSIC Electronics Module (12-24 VDC, 115-230 VAC)	L10-800-C-E	1
14	Mounting Screws (316 SS)	2540-0007	2
15	Nameplate, Foil	2400-0007	1
16	Nameplate, Overlay	2401-0001	1
17	Cover Gasket	1499-1301	1

UNLESS OTHERWISE SPECIFIED:		NAME	DATE		
DIMENSIONS ARE IN INCHES		DRAWN	MW		13MAY13
TOLERANCES: ANGULAR: 0.5°		CHECKED	EC		21MAY13
ONE PLACE DECIMAL ±0.1 TWO PLACE DECIMAL ±0.02 THREE PLACE DECIMAL ±0.007		ENG APPR.	TDH		03JUN13
INTERPRET GEOMETRIC TOLERANCING PER:				TITLE:	
MATERIAL		COMMENTS:		<b>Parts List - CLASSIC Series</b> Remote Electronics Flameproof Enclosure (CSA)	
FINISH		SIZE	DWG. NO.	REV	
DO NOT SCALE DRAWING		<b>B</b>	7730-0000-CSA	0	
KAYDEN INSTRUMENTS		SCALE: NTS	WEIGHT:	SHEET 2 OF 2	

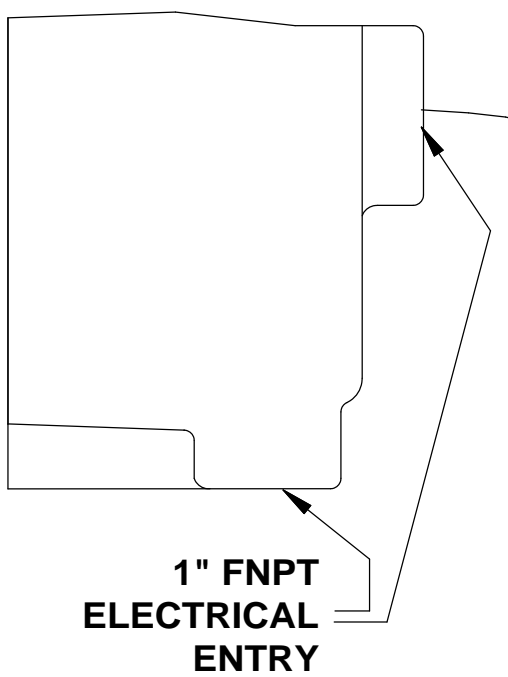
REVISIONS				
ZONE	REV.	DESCRIPTION	DATE	APPROVED
All	0	Initial Release	03Jun13	TDH

### SENSOR AND REMOTE ENCLOSURE REAR VIEW

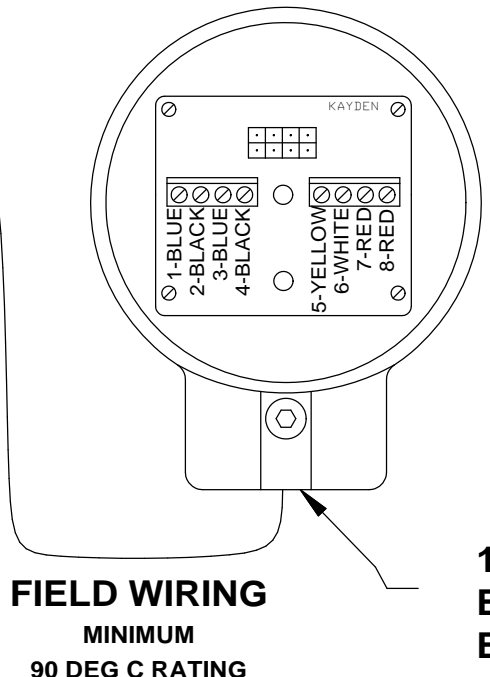


MOUNT SENSOR AND REMOTE ENCLOSURE USING FNPT ENTRY

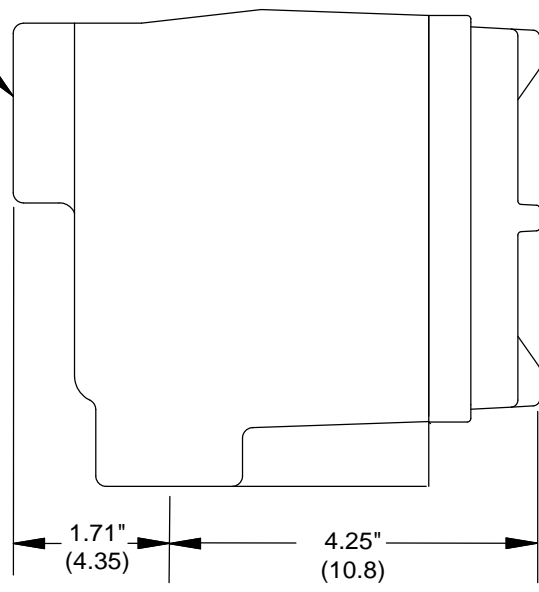
### REMOTE ENCLOSURE SIDE VIEW



### SENSOR ENCLOSURE FRONT VIEW



### SENSOR AND REMOTE ENCLOSURE SIDE VIEW



#### NOTES:

- Wire sensor to remote according to connection diagram.

UNLESS OTHERWISE SPECIFIED:		NAME	DATE
DIMENSIONS ARE IN INCHES	DRAWN	MW	13MAY13
TOLERANCES: ANGULAR: 0.5° ONE PLACE DECIMAL ±0.1 TWO PLACE DECIMAL ±0.02 THREE PLACE DECIMAL ±0.007	CHECKED	EC	21MAY13
INTERPRET GEOMETRIC TOLERANCING PER:	ENG APPR.	TDH	03JUN13
MATERIAL	COMMENTS:		
FINISH			
DO NOT SCALE DRAWING			



TITLE:  
**CLASSIC Series**  
Remote Electronics  
Flameproof Enclosure (FM)

SIZE	DWG. NO.	REV
<b>B</b>	7730-0000-FM	0