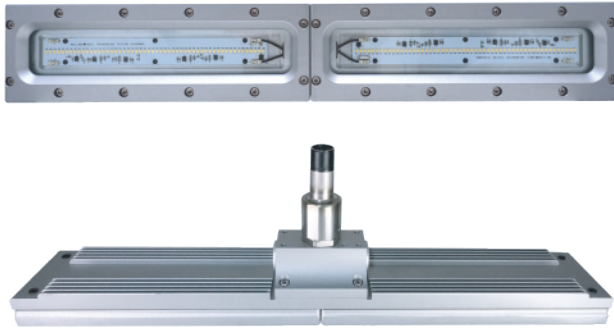




L1319

Luminaires For Use In Hazardous Locations



CID1
Group
B, C, D

CIID2
Group
F, G

IP67

NEMA
6

Protection

40W

- Class I, Division 1, Group B, C, D
- Class II, Division 2, Groups F and G
- Class III

60W

- Class I, Division 1, Group B, C, D

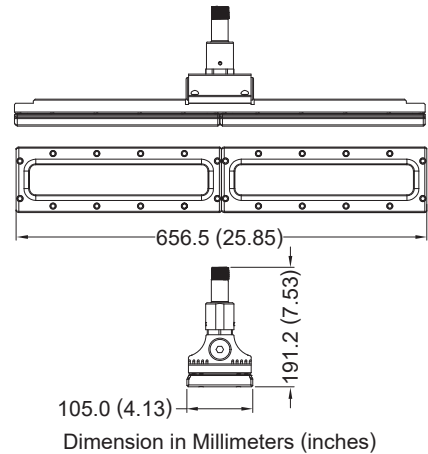
Standards

UL 844
UL 1598 Luminaires
UL 8750
CSA C22.2 No. 137-M1981
CSA C22.2 No. 30-M1986
CSA C22.2 No. 25-1996
CSA C22.2 No. 250.0
CSA C22.2 No. 250.13

Net Weight: 7.4 kg (16.3 lb)

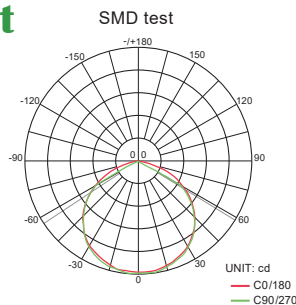
Technical Data

Rated Voltage (±10%)	120V / 277V AC		
Watts (±10%)	40W / 60W		
Amps	40W 120V: 0.33A, 277V: 0.14A / 60W 120V: 0.50A, 277V: 0.22A		
Color of LED Light	3000K (Warm White) / 5000K (Cool White)		
Ambient Temperature	CID1: -40°C ~ +55°C, T6 / CIID2: +55°C, T6		
Power Factor	cos ≥ 0.9		
CRI	Cool White ≥ 70 / Warm White ≥ 80		
Lumen (±10%)	SMD	40W	60W
	3000K	3600lm	5400lm
	5000K	4000lm	6000lm
Beam Angle	X-116° / Y-113°		
Frequency	50 / 60 Hz		
Degree of Protection	IP67 / NEMA 6		
Material	• Enclosure • Glass	Aluminum alloy Tempered glass	
LED Service Life	60,000 hrs		
Entrance Thread	1 × NPT 3/4"		

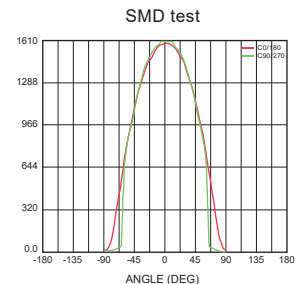


Optical Report

Polar Luminous Intensity Distribution



Luminous Intensity Distribution Diagram



Model Code

THT	E	1319	A	C	H	C	9	D0	C90
						①	②	③	④

① **C.C.T.**

C=Cool White
W=Warm White

② **Voltage**

6=120V
9=277V

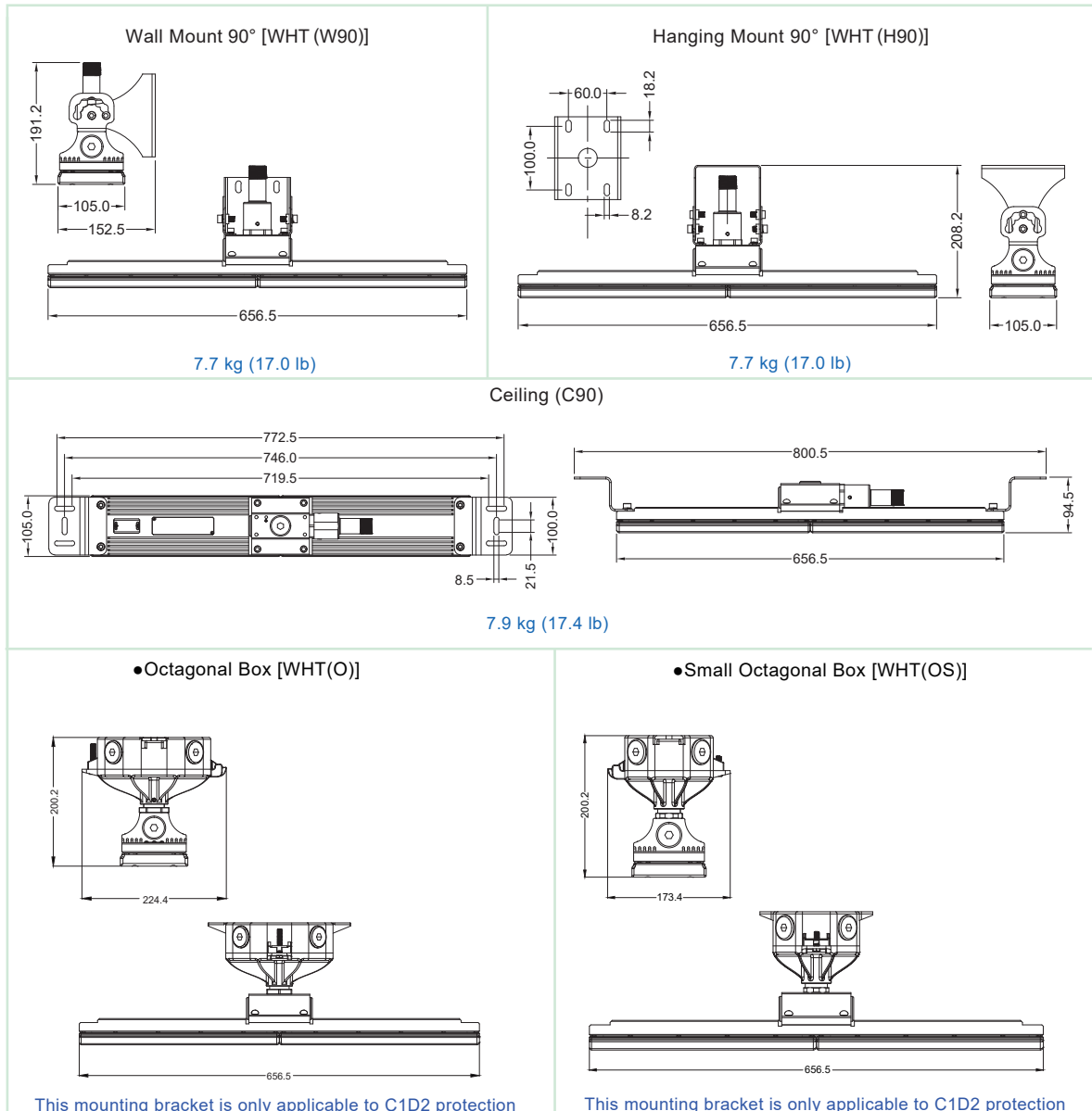
③ **Wattage**

D0=40W
F0=60W

④ **Mounting Bracket Type**

C90=Ceiling
WHT(W90)= Wall Mount 90°
WHT(H90)=Hanging Mount 90°
WHT(O)=Wall / Hanging Mount (Octagonal Box)
WHT(OS)=Wall / Hanging Mount (Small Octagonal Box)

Mounting Option & Dimensions (All in mm)



Applicable Area

- Oil Refinery Complex
- Painting Facility
- Transporting Liquefied
- Offshore Platform
- Petrochemical Complex
- Transporting Nature Gas
- Petroleum Gas
- (Oil and Natural Gas)