



Pneumatic Spring Return

Series F91 Unibody Flanged Ball Valve

- Firesafe
- Sizes 1/2" – 6"
- Regular Port
- ANSI Class 150#
- Direct Actuator Mount
- Available in 316SS or WCB
- Anti-static Device
- 316SS Body, Ball and Stem
- Compliant to NACE MRO175
- Pyramidal Stem Packing System
- Blowout-proof Stem
- ISO5211 Mounting
- Locking Handle Standard
- Each Valve is Traceable**

**API 607 - 4th Edition
CERTIFIED**



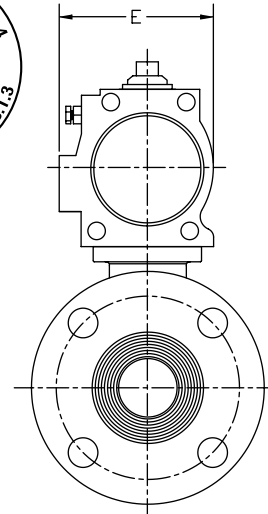
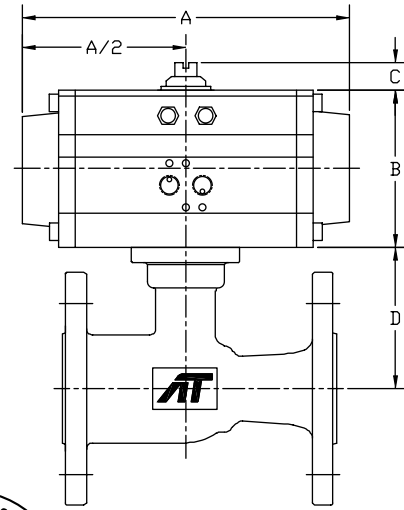
**150# Flanged
Firesafe tested to API-607**



DIMENSIONS (IN)

VALVE SIZE	A	B	C	D	E	VALVE Cv
1/2"	7.95	3.43	0.79	1.80	3.29	9
3/4"	7.95	3.43	0.79	2.02	3.29	15
1"	9.29	4.49	0.79	2.19	4.41	42
1-1/2"	9.29	4.49	0.79	2.86	4.41	125
2"	10.87	4.88	0.79	3.51	4.82	165
2-1/2"	10.87	4.88	0.79	3.80	4.82	245
3"	11.46	5.28	0.79	4.57	5.20	350
4"	13.90	6.18	0.79	5.22	6.04	680
6"	20.95	8.30	1.18	7.07	7.64	1020

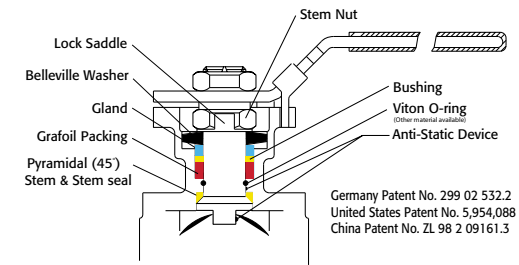
DIMENSIONS SHOWN ARE FOR ASSEMBLIES SIZED FOR 80 PSI SUPPLY



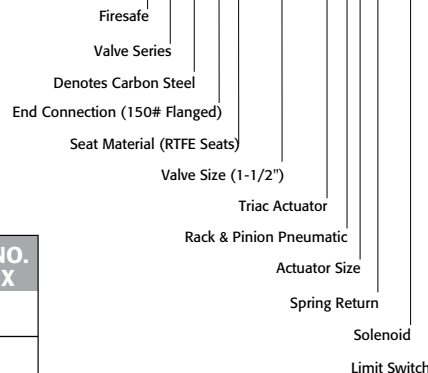
**SERIES F91 Unibody Flanged
Firesafe**

SIZED FOR 80 psi AIR SUPPLY	
SIZE	MODEL
1/2"	F91-F1-050/2R2S-XX
3/4"	F91-F1-075/2R2S-XX
1"	F91-F1-100/2R3S-XX
1-1/2"	F91-F1-150/2R3S-XX
2"	F91-F1-200/2R4S-XX
2-1/2"	F91-F1-250/2R4S-XX
3"	F91-F1-300/2R5S-XX
4"	F91-F1-400/2R6S-XX
6"	F91-F1-600/2R8S-XX

SIZED FOR 60 psi AIR SUPPLY	
SIZE	MODEL
1/2"	F91-F1-050/2R2S-XX
3/4"	F91-F1-075/2R3S-XX
1"	F91-F1-100/2R3S-XX
1-1/2"	F91-F1-150/2R3S-XX
2"	F91-F1-200/2R5S-XX
2-1/2"	F91-F1-250/2R5S-XX
3"	F91-F1-300/2R6S-XX
4"	F91-F1-400/2R7S-XX
6"	F91-F1-600/2R8S-XX



**SAMPLE PART #
F91C-F1-150/2R3S-XX**



OPTIONS

DESCRIPTION	PART NO. SUFFIX	DESCRIPTION	PART NO. SUFFIX
NEMA 4 Solenoid	(A)	NEMA 4 Limit Switch (2) spdt	(A)
NEMA 7 Solenoid	(B)	NEMA 7 Limit Switch (2) spdt	(B)

Other options available - call for details
Actuators are sized based on clean/clear fluid.

See valve part number matrix for complete part number and options.



Triac Division
11363 Deerfield Rd.
Cincinnati, Ohio 45242
PHONE (513) 247-5465
FAX (513) 247-5462
e-mail: sales@a-tcontrols.com
www.a-tcontrols.com