



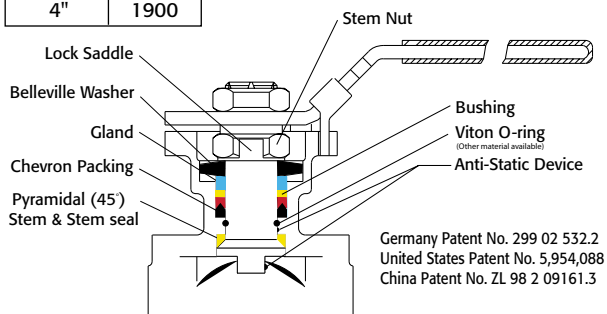
Triac 77 Series Ball Valves feature a high quality 316L investment casting. They are available with sanitary clamp or tube OD ends. Select the cavity filled or non-cavity filled design.

Superior leak protection is accomplished by using a live-loaded packing system featuring Belleville washers and double "V" ring packing. An ISO 5211 mounting pad is provided for easy automation.

VALVE SIZE	VALVE Cv
1/2"	10
3/4"	30
1"	65
1-1/2"	200
2"	410
2-1/2"	600
3"	1050
4"	1900

Excellent for:

- Pharmaceutical
- Food and Beverage
- Paint and Solvents
- Viscous Fluids
- Confectionaries



Easy to Automate!

See automated data sheets for pre-sized assemblies



Pneumatic



Electric



Series 77 Sanitary End 3-Piece Design

Sizes 1/2"– 4"
Cavity Filled and
Non-Cavity Filled
ISO 5211 Mounting Pad
800/1000 PSI WOG (by size)
316L Body Ball and Stem
Full Port
Sanitary Clamp Ends or Tube
OD Ends

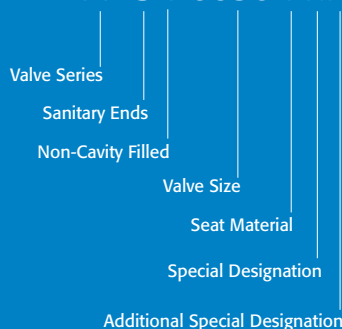
STANDARDS

- ASME BPE-1997
- ISO 5211/1, 5209, 5752, 7/1, 261
- MSS SP25
- BS 5351



**HOW TO ORDER
MANUAL VALVES**

SAMPLE PART #
77-SA-0050-PXX



See part number matrix for itemized options



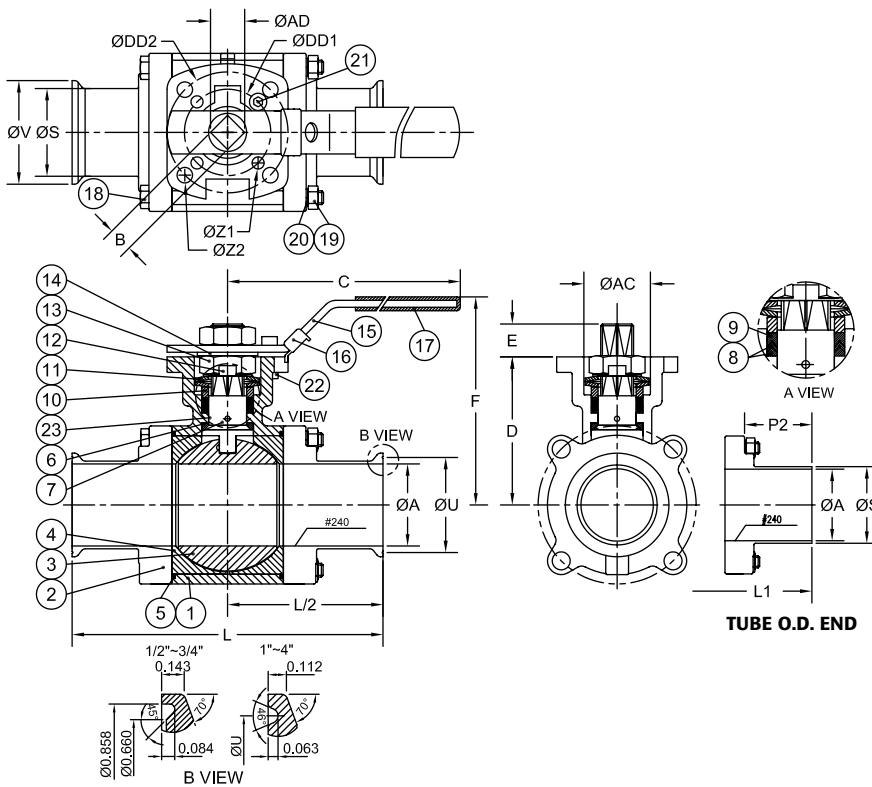
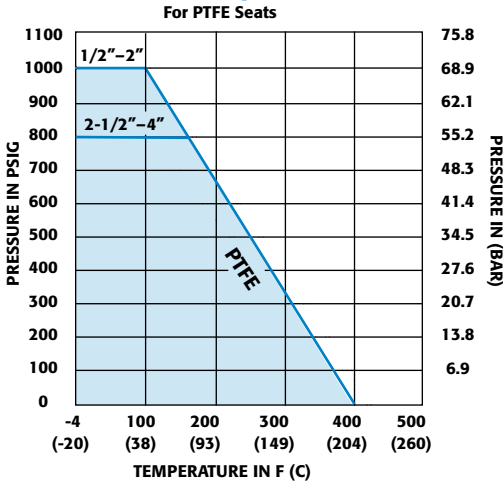
Triac Division
11363 Deerfield Rd.
Cincinnati, Ohio 45242
PHONE (513) 247-5465
FAX (513) 247-5462
e-mail: sales@a-tcontrols.com
www.a-tcontrols.com

Series 77

3-Piece "Sanitary End" Ball Valve Full Port

With or without cavity filler
240 Grit Internal Polish
Standard (15-20 RA)

Pressure vs. Temperature Chart



Breakaway Torques for PTFE		
Size	Non-Cavity Filled	Cavity Filled
1/2"	80	95
3/4"	90	100
1"	142	160
1-1/2"	319	410
2"	390	490
2-1/2"	806	1010
3"	921	1075
4"	1317	1400

CONSULT FACTORY FOR OTHER SEAT MATERIALS

MATERIALS LIST

NO.	PART NAME	QTY.	MATERIAL
1	Body	1	CF3M
2	End Cap	2	CF3M
3	Ball	1	316SS
4	Seat	2	PTFE
5	Joint Gasket	2	PTFE
6	Stem Seal	1	PTFE
7	Stem	1	316SS
8	Gland Packing	1 Set	PTFE
9	Gland Packing	1	PTFE
10	Gland Bushing	1	304SS
11	Belleville Washer	2	301SS
12	Stop Washer	1	304SS
13	Stem Nut	2	304SS
14	Stem Washer	1	304SS
15	Handle	1	304SS
16	Locking Device	1	304SS
17	Handle Sleeve	1	Vinyl
18	Bolt	#	304SS
19	Nut	&	304SS
20	Washer	&	304SS
21	Stop Pin	1	304SS
22	Pin Nut	1	304SS
23	O-Ring	1	Viton®

* For 1/2" to 2" - 2 pcs., For 2-1/2" to 4" - 3 pcs.

For 1/2" to 3" - 4 pcs.; For 4" - 6 pcs.

& For 1/2" to 2" - 4 pcs.; For 2-1/2" to 3" - 8 pcs., For 4" - 12 pcs.

1/2" to 2" single end, external thread
2-1/2" to 4" double ends, external thread

DIMENSIONS (IN)

Size	A	B	C	D	DD1	DD2	E	F	L	L1	P2	S	U	V	Z1	Z2	AC	AD	LBS	ISO5211
1/2"	0.37	0.354	5.47	1.66	1.417	1.654	0.25	3.03	3.51	5.50	1.92	0.50	-	0.99	0.24	0.24	0.92	0.430	1.5	F03/F04
3/4"	0.62	0.354	5.47	1.89	1.417	1.654	0.27	3.27	4.00	5.75	1.96	0.75	-	0.99	0.24	0.24	0.92	0.430	1.8	F03/F04
1"	0.87	0.433	6.50	2.23	1.654	1.969	0.44	3.74	4.51	6.25	2.00	1.00	1.71	1.99	0.24	0.28	1.14	0.563	2.7	F04/F05
1-1/2"	1.37	0.551	8.47	3.05	1.969	2.756	0.56	5.00	5.52	7.50	2.23	1.50	1.71	1.99	0.28	0.34	1.54	0.744	7.0	F05/F07
2"	1.87	0.551	8.47	3.35	1.969	2.756	0.56	5.28	6.26	8.50	2.46	2.00	2.20	2.52	0.28	0.34	1.54	0.744	9.8	F05/F07
2-1/2"	2.37	0.669	11.81	4.28	2.756	4.016	0.67	6.54	6.85	9.75	2.55	2.50	2.78	3.05	0.34	0.47	2.07	0.885	19.6	F07/F10
3"	2.87	0.669	14.57	4.63	2.756	4.016	0.71	6.93	7.61	10.50	2.69	3.00	3.28	3.58	0.34	0.47	2.07	0.885	25.9	F07/F10
4"	3.83	0.748	14.57	5.22	2.756	4.016	0.67	7.48	8.90	12.50	3.14	4.00	4.34	4.68	0.34	0.47	2.07	0.885	47.4	F07/F10

Tube O.D. According to ASME BPE 1997/2000