



WECO® "HAMMER" UNION PRESSURE TRANSMITTER

MODEL 170 / 270 / 370

FEATURES:

- Reduced zero offset due to installation
- High-accuracy option of $\pm 0.10\%$ FSO
- Corrosion resistant, high strength fasteners eliminate housing breakage
- Hazardous location approvals
- 0 to 1000 thru 0 to 20K PSI (69 thru 1,379 BAR)
- Compatible with 2" 1502, 2002, 2202, and 602 wing union fittings

APPLICATIONS:

- Fracking, cementing, coil tubing and acidizing
- Mud pumps / Measure While Drilling
- Choke and kill manifolds
- Standpipe pressure
- Wellhead measurement

PRODUCT OVERVIEW:

The industry exclusive Model 170/270/370 WECO® Hammer Union Pressure Transmitter from GP:50 is ruggedly designed and engineered to effectively address demanding shock and vibration and installation challenges within the oilfield environment. Units are directly compatible with WECO® 2"-1502, 2202, 2002 or 602 wing union fittings. They are also available in multiple outputs, ranges, electrical connections, and area approvals to meet specific requirements.



Model 170 / 270 / 370
WECO® "Hammer" Union
Pressure Transmitter



FIELD OPTIONS:

- Internal, isolated shunt calibration
- Temperature output options
- 3 mV/V, 0 to 5 Vdc, 4-20 mA, CANbus outputs
- 'Connector Guard' eliminates connector breakage
- High temperature option to +350 °F (+177 °C)
- Comprehensive list of electrical connections



© 2014 GP:50 NY Ltd. | 2770 Long Road, Grand Island, NY 14072 USA

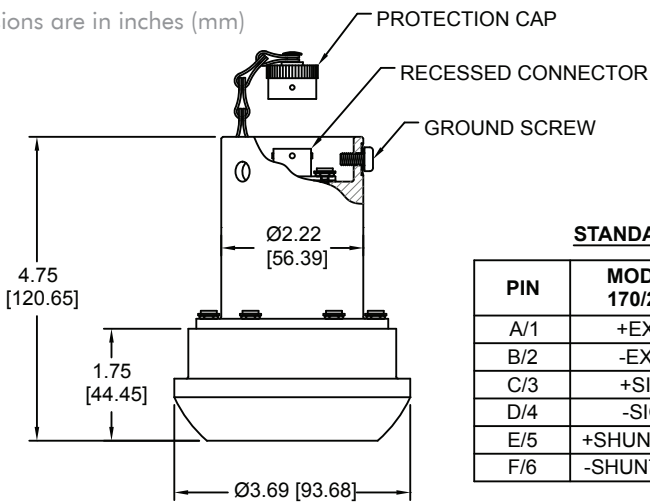
Tel: +1.716.773.9300 Fax: +1.716.773.5019 Email: sales@gp50.com Web: www.gp50.com

A5SL-018

GP:50 MODEL 170 / 270 / 370

DIMENSIONAL DRAWING

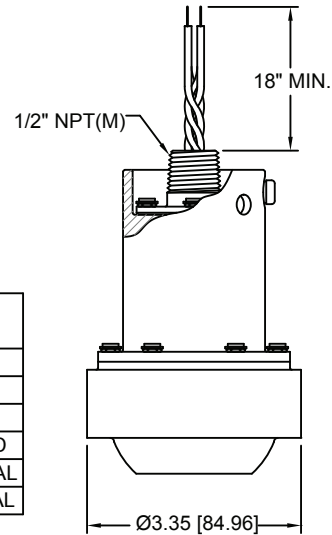
All dimensions are in inches (mm)



2" #1502 CONFIGURATION
(SHOWN WITH "CA" CONNECTOR)

STANDARD WIRING

PIN	MODEL 170/270	MODEL 370
A/1	+EXC	+EXC/SIG
B/2	-EXC	-EXC/SIG
C/3	+SIG	N/C
D/4	-SIG	CASE GND
E/5	+SHUNT/CAL	+SHUNT/CAL
F/6	-SHUNT/CAL	-SHUNT/CAL



2" #2002/2202 CONFIGURATION
(SHOWN WITH "CF" CONNECTOR)

REFERENCE SPECIFICATIONS

ELECTRICAL
<ul style="list-style-type: none"> Supply Voltage: (Model 170) 5 to 16 Vdc max (Model 270) 9 to 36 Vdc (Model 370) 9 to 36 Vdc (10 to 28 Vdc for IS approvals)
<ul style="list-style-type: none"> Output Signal: (Model 170) 1.6 mV/V typical (Model 270) 0 to 5 Vdc (Model 370) 4-20 mA (Model 570) CANbus J1939
<ul style="list-style-type: none"> Load Resistance: (Model 170) >100K Ω (Model 270) >10K Ω
<ul style="list-style-type: none"> Connection: Bendix PTO2E-10-6P
<ul style="list-style-type: none"> Input Current: (Model 170) 1 mA (Model 270) 8 mA (Model 370) 23 mA max. Shunt Calibration: (Model 170/270) 100% FSO ±0.2% shorting E + F (Model 370) 100% FSO ±0.2% exciting E + F
MATERIALS OF CONSTRUCTION
<ul style="list-style-type: none"> Sensor: 17-4 PH stainless steel standard Optional Inconel X750 and 718 Housing: 300 series stainless steel

STATIC ACCURACY (HYSTERESIS, NON-LINEARITY & REPEATABILITY @ +70 °F)
<ul style="list-style-type: none"> Standard: ≤ ±0.25% FSO Improved: ≤ ±0.10% FSO
MECHANICAL
<ul style="list-style-type: none"> Process Connection: WECO® 2"- 1502, 2002/2202 or 602 Proof Pressure: 1.5X FSO or 22.5K PSI, whichever is less Burst Pressure: 3.0X FSO Approximate weight: <6 lbs (2.7 kg) (options may affect weight) Ingress Protection: IP67 (some options may effect rating)
PRESSURE RANGES
0 to 1000 PSI thru 0 to 20K PSI (69 thru 1,379 BAR)
THERMAL SPECIFICATIONS
<ul style="list-style-type: none"> Compensated: -40 °F to +180 °F (-40 °C to +80 °C) Operating: -50 °F to +190 °F (-45 °C to +85 °C) Optional high-temperature version to +350 °F (+177 °C) Zero Balance/Span: <1.0% FSO/100 °F
APPROVALS (370 SERIES ONLY, OTHERS PENDING)
<ul style="list-style-type: none"> FM/CSA/ATEX/IEC Class 1 Div 1/Zone 0 Intrinsic Safety FM/CSA/ATEX/IEC Class 1 Div 2/Zone 2 CE marked

All specifications are for reference purposes only. In the interests of continuous product improvement, all specifications are subject to change without notice. Please contact GP:50 for assistance with your application.

WECO® is a federally registered trademark of FMC Technologies

© 2014 GP:50 NY Ltd. | 2770 Long Rd, Grand Island, NY 14072 USA

Tel: +1.716.773.9300 Fax: +1.716.773.5019 Email: sales@gp50.com Web: www.gp50.com

