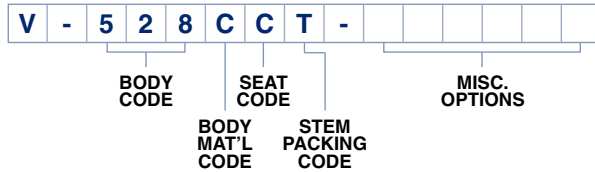


Instrument Hand Valves ~ Hard Seat

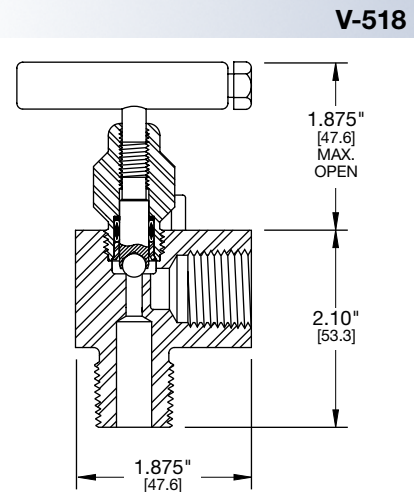
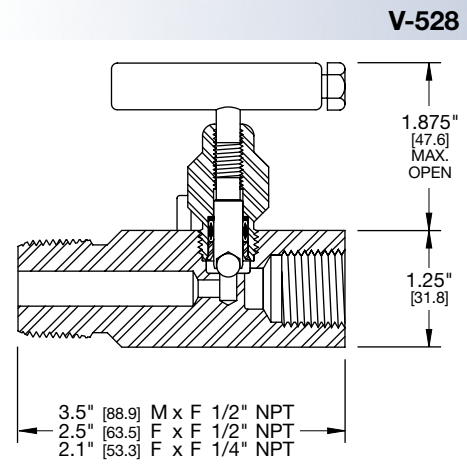
ORIFICE

.187"



ORDERING INFORMATION

PART NO.	CONNECTIONS		BODY & BONNET	SEAT	SEAL
	INLET	OUTLET			
.187" Orifice					
V-500CCT	1/4" MNPT x 1/4" FNPT		Carbon Steel	Carbide Ball	Teflon® Pressure-Core® Stem Seal
V-500SCT			316 SS		
V-502CCT	1/4" FNPT x 1/4" FNPT		Carbon Steel	Monel® Ball	
V-502SCT			316 SS		
V-502MNT			Monel®		
V-506CCT	1/2" MNPT x 1/2" FNPT		Carbon Steel	Carbide Ball	
V-506SCT			316 SS		
V-506MNT			Monel®		
V-506HHT			Hast-C		
V-508CCT	1/2" FNPT x 1/2" FNPT		Carbon Steel	Carbide Ball	
V-508SCT			316 SS		
V-508MNT			Monel®		
V-510CCT	1/2" MNPT x 1/2" FNPT Angle		Carbon Steel	Carbide Ball	
V-510SCT			316 SS		
V-528CCT	3/4" MNPT x 1/2" FNPT		Carbon Steel	Carbide Ball	
V-528SCT			316 SS		
V-530CCT	1/2" MNPT x 1/4" FNPT		Carbon Steel	Carbide Ball	
V-530SCT			316 SS		



OPTION CODE	DESCRIPTION	
Body Material Options		
P	ASTM A105 CF Carbon Steel For Use with Grafoil® Packed Bonnets	
Seat Material Options		
N	Monel® Ball Seat	Refer to Chart C on Page 22 and Pressure and Process Temperature Charts on Page 23.
R	Ceramic Ball Seat	
6	316 SS Ball Seat	
Stem Packing Material Options		
T	Teflon® Pressure-Core® Stem Seal	Refer to Charts C and E on Page 22 and Pressure and Process Temperature Charts on Page 23.
G	Low-Torque™ Grafoil® Packed	
J	Teflon® Pressure-Core® Stem Seal (Low Temperature -50°F)	
Miscellaneous Options		
AB†	1/2" Parker A-LOK Welded in Compression Fitting	
AC†	1/2" Swagelok Welded in Compression Fitting	
AM7	Male Pipe Socket Weld - Male Inlet Only	
AP§	Female Pipe Socket Weld - Female Inlet and Female Outlet	
AP7§	Female Pipe Socket Weld - Female Inlet Only	
M1	Panel Mount	
W	Safety Bonnet Lock Plate (Lock Pin Standard)	
W1	316 SS Tag	
WK	Paper Tag	
XL	Clean for Critical Service (Oxygen or Chlorine)	
† Inlet and Outlet: Available on V-508 Valves Only		
§ Available on V-502 and V-508 Valves Only		

MATERIALS OF CONSTRUCTION

PART DESCRIPTION	CARBON STEEL	316 SS
Body and Bonnet	ASTM A108 CS	ASTM A479-316 SS
Stem	ASTM A479-316 SS	ASTM A479-316 SS
Seal Retainer	ASTM A479-316 SS	ASTM A479-316 SS
Handle Assembly	ASTM A108 CS	ASTM A581 18-8 300 SS

- PGI Carbon Steel Products are Alkaline Zinc plated for corrosion prevention.
- PGI 316 SS Products meet the requirements of NACE MR0175/ISO 15156-36.
- 100% Pressure Tested
- Carbon Steel Weld End Connection Bodies are AISI 1018

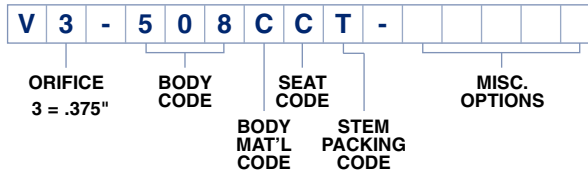
MAX Cv RATINGS

ORIFICE SIZE	BODY STYLE	
	Straight	Angle
.187"	.53	.79
Approximate Valve Weight: 1.30 lbs [0.59 kg] each		

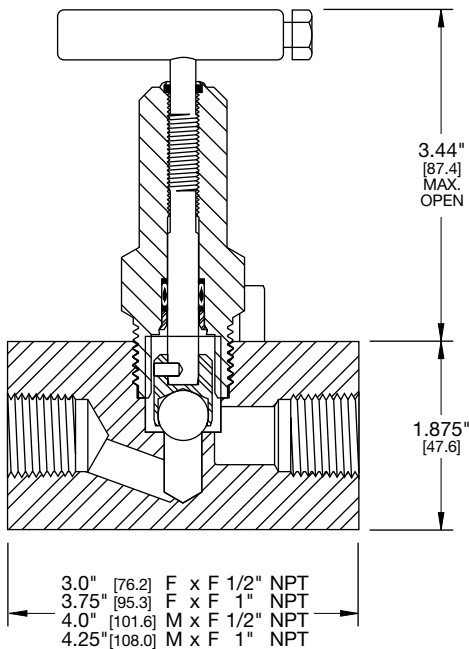
Instrument Hand Valves ~ Hard Seat

ORIFICE

.375"



V3-508



MATERIALS OF CONSTRUCTION

PART DESCRIPTION	MATERIALS OF CONSTRUCTION	
	CARBON STEEL	316 SS
Body and Bonnet	ASTM A108 CS	ASTM A479-316 SS
Stem	ASTM A479-316 SS	ASTM A479-316 SS
Seal Retainer	ASTM A479-316 SS	ASTM A479-316 SS
Handle Assembly	ASTM A108 CS	ASTM A581 18-8 300 SS

- PGI Carbon Steel Products are Alkaline Zinc plated for corrosion prevention.
- PGI 316 SS Products meet the requirements of NACE MR0175/ISO 15156-36.
- 100% Pressure Tested
- Carbon Steel Weld End Connection Bodies are AISI 1018

MAX Cv RATINGS

ORIFICE SIZE	BODY STYLE
.375"	Straight
	2.40

Approximate Valve Weight: 3.00 lbs [1.36 kg] each

ORDERING INFORMATION

PART NO.	CONNECTIONS		BODY & BONNET	SEAT & PACKING
	INLET	OUTLET		
.375" Orifice				
V3-506CCT	1/2" MNPT x 1/2" FNPT	1/2" FNPT	Carbon Steel	Carbide Ball Seat Teflon® Pressure-Core® Stem Seal Max Pressure 6,000 PSI @ 200°F
V3-506SCT			316 SS	
V3-508CCT	1/2" FNPT x 1/2" FNPT	1/2" FNPT	Carbon Steel	
V3-508SCT			316 SS	
V3-536CCT	1" MNPT x 1/2" FNPT	1/2" FNPT	Carbon Steel	
V3-536SCT			316 SS	
V3-540CCT	3/4" FNPT x 3/4" FNPT	3/4" FNPT	Carbon Steel	
V3-540SCT			316 SS	
V3-542CCT	1" FNPT x 1" FNPT	1" FNPT	Carbon Steel	
V3-542SCT			316 SS	
V3-544CCT	1" MNPT x 1" FNPT	1" FNPT	Carbon Steel	
V3-544SCT			316 SS	

OPTION CODE	DESCRIPTION
Body Material Options	
P	ASTM A105 CF Carbon Steel <i>For Use with Grafoil® Packed Bonnets</i>
Seat Material Options	
R	Ceramic Ball Seat
6	316 SS Ball Seat
Stem Packing Material Options	
T	Teflon® Pressure-Core® Stem Seal
G	Low-Torque™ Grafoil® Packed
J	Teflon® Pressure-Core® Stem Seal (Low Temperature -50°F)
Miscellaneous Options	
AB†	1/2" Parker A-LOK Welded in Compression Fitting
AC†	1/2" Swagelok Welded in Compression Fitting
AM7	Male Pipe Socket Weld - Male Inlet Only
AP	Female Pipe Socket Weld - Female Inlet and Female Outlet
AP7	Female Pipe Socket Weld - Female Inlet Only
AP8	Female Pipe Socket Weld - Female Outlet Only
S1	Monel Stem Material
W	Safety Bonnet Lock Plate (Lock Pin Standard)
W1	316 SS Tag
WK	Paper Tag
XL	Clean for Critical Service (Oxygen or Chlorine)

† Inlet and Outlet: Available on V3-508 Valves Only