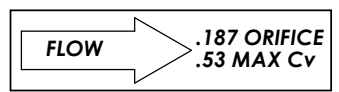
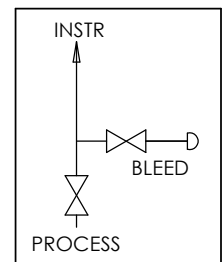
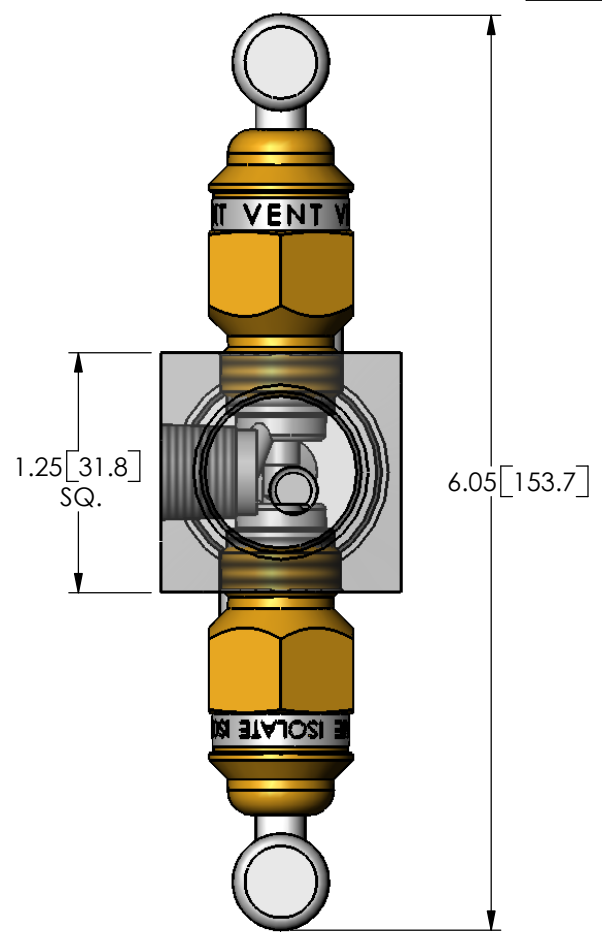
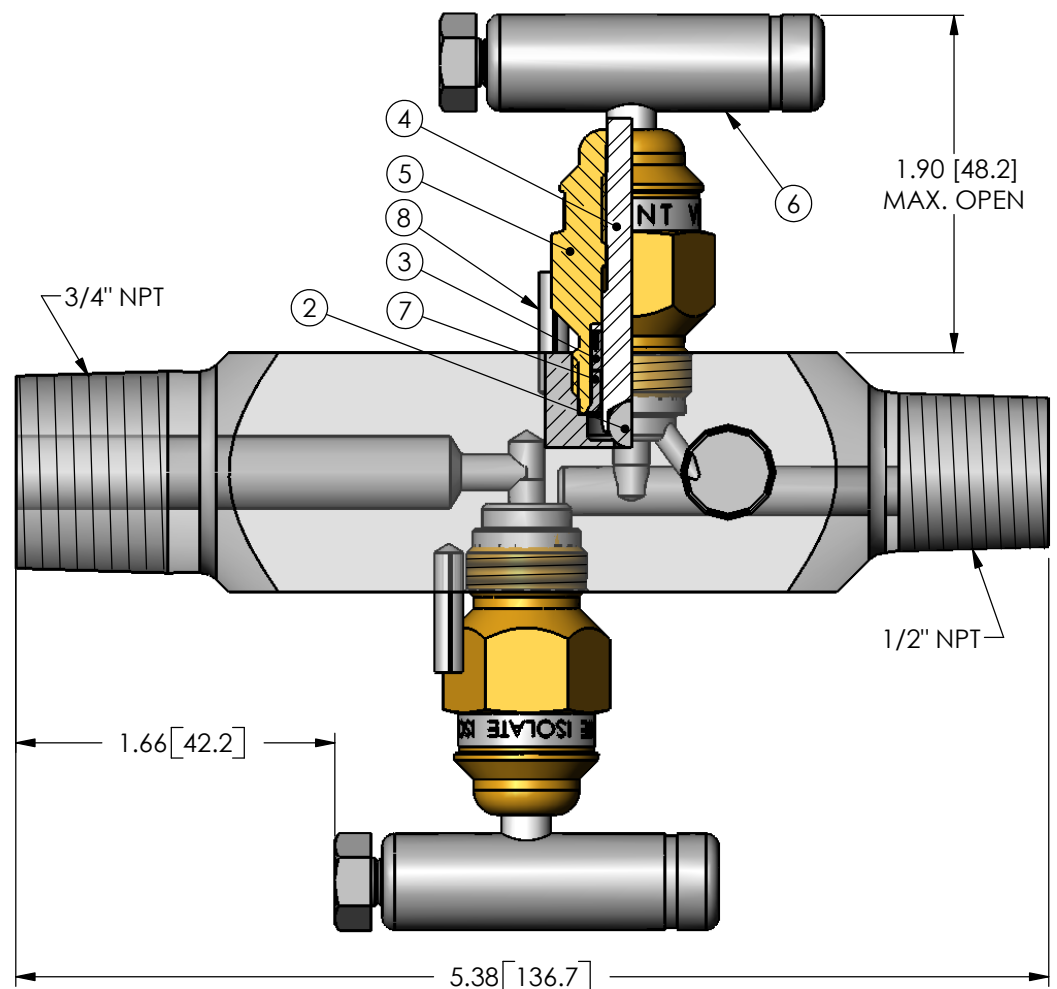


REVISIONS		
REV.	DATE	CO#
7	6/25/2005	23308



**NOTES**

1. DIMENSIONS IN [ ] ARE IN MILLIMETERS.
2. APPROX. WEIGHT 2.5 lbs. (1.14 kg.)
3. <AZ> INDICATES ALKALINE ZINC PLATED WITH DICHROMATE DIP.
4. <P0> INDICATES PHOSPHATE AND OIL.
5. <P0> AISI 1018 C.S. IS USED WHEN WELDED BODY CONNECTION ARE SPECIFIED.
6. 316 SS MANIFOLD/VALVE MEETS REQUIREMENTS OF NACE MR0175 (LATEST REV.) UP TO 140°F

PGI RESERVES THE RIGHT TO CHANGE THE DESIGN, DIMENSIONS OR MATERIAL CONTENT OF OUR PRODUCTS WITHOUT PRIOR NOTIFICATION.

**PGI International**

16101 VALLEN DRIVE HOUSTON, TX. 77041 (713) 466-0056 or 1-800-231-0233 FAX: (713) 744-9892

**2 VALVE BLOCK AND BLEED**  
3/4"MNPT X 1/2"MNPT

APP'D	DRAWING NO. & REVISION
SCALE <b>NONE</b>	<b>V-616XCT r07</b>

**PGI EXTERNAL DOCUMENT**  
**GENERAL PRODUCT DESCRIPTION**

PRODUCT PART NUMBER		V-616CCT	V-616SCT	
NO.	DESCRIPTION	10,000 PSI @ 200°F 8,000 PSI @ 450°F MAX	10,000 PSI @ 200°F 8,000 PSI @ 450°F MAX	QTY.
1	VALVE BODY	(C) <AZ>ASTM A108-1215	(S) ASTM A479-316	1
2	BALL (1/4")	(C) CARBIDE BALL	(C) CARBIDE BALL	2
3	STEM SEAL	(T) TEFLON	(T) TEFLON	2
4	STEM	ASTM A479-316	ASTM A479-316	2
5	BONNET	<AZ> ASTM A108-1215	ASTM A479-316	2
6	HANDLE ASSEMBLY	<AZ>ASTM A108	ASTM A582 18-8	2
7	SEAL RETAINER	ASTM A479-316	ASTM A479-316	2
8	ROLL PIN	300 SERIES SS	300 SERIES SS	2