



P1202

Luminaires For Use In Hazardous Locations

NOM This product is in compliance with NOM regulations.



40W



Net Weight: 3.7 kg (8.1 lb)

Protection

- Class I, Division 2
Group A, B, C, D

Standards

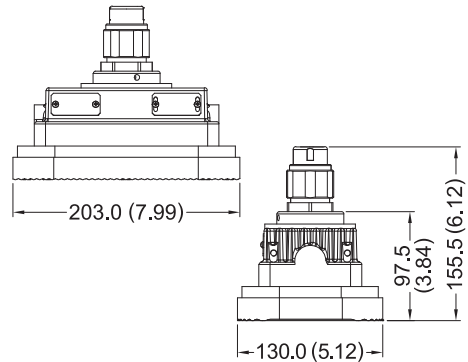
- UL 844
- UL 1598 Luminaires
- UL 8750
- CSA C22.2 No. 137-M1981
- CSA C22.2 No. 250.0-08

Light Features

- Compact size, Light weight and Portable
- Applicable to high temperature environment
- Salt Spray 1000 hrs passed

Technical Data

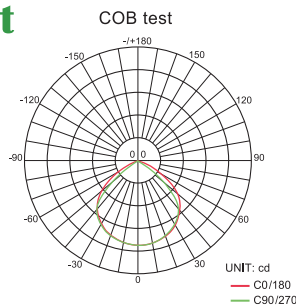
Rated Voltage (±10%)	120V / 277V / 480V AC	
Watts (±10%)	40W	
Amps	40W 120V: 0.33A, 277V: 0.14A, 480V: 0.08A	
Color of LED Light	3000K (Warm White) / 5000K (Cool White)	
Ambient Temperature	-40°C ~ +40°C, T4	
Power Factor	cos ≥ 0.9, cos ≥ 0.87(480V)	
CRI	Cool White ≥ 70 / Warm White ≥ 80	
Lumen (±10%)	COB	40W
	3000K	3800lm
	5000K	4000lm
Beam Angle	X-105° / Y-105°	
Frequency	50 / 60 Hz	
Degree of Protection	IP68 / NEMA 6P	
Material	<ul style="list-style-type: none"> • Enclosure: Aluminum alloy • Glass: Tempered glass 	
LED Service Life	60,000 hrs	
Entrance Thread	1 × NPT 3/4"	



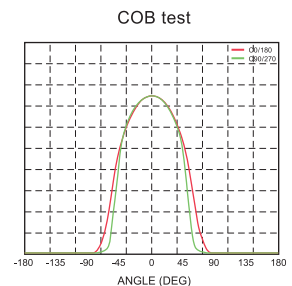
Dimension in Millimeters (inches)

Optical Report

Polar Luminous Intensity Distribution



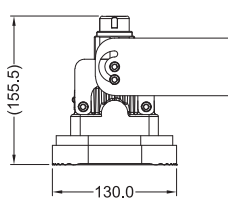
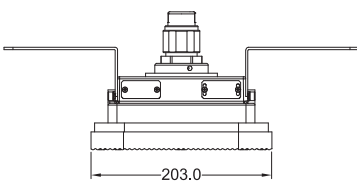
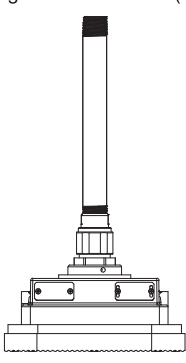
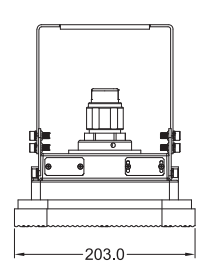
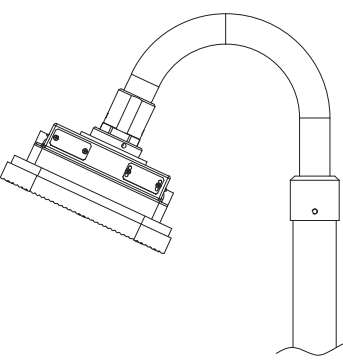
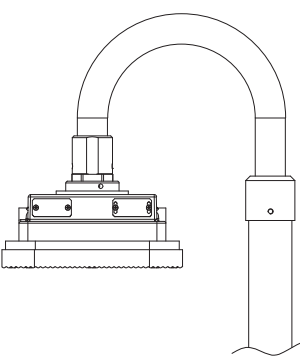
Luminous Intensity Distribution Diagram



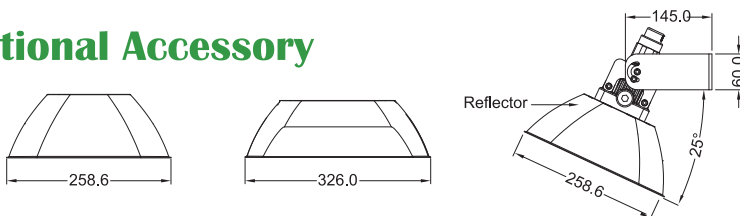
Model Code

THT	H	1202	Z	C	B	C	9	D0	C90
Brand, THT=TOP HI-TECH CO., LTD.	Protection type of luminaire, H=Lighting for using in Class I, Div.2	Model Name, 1202=Model P1202	Internal control code	Type of top cover, C=Top cover with NPT 3/4" opening D=Top cover without opening	Type of LED model, B=DCOB LED Module (driver chip on board)	C.C.T., C=Cool White, W=Warm White	Voltage, 6=120V, 9=277V, C=480V	Wattage, D0=40W	Mounting bracket type C90=Ceiling mounting 90° W90=Wall mounting 90° H90=Pendant mounting 90° S25/90=Bending electrical tube mounting 25°/90° P90=Straight electrical tube mounting

Mounting Option & Dimensions (All in mm)

<p>Wall Mount 90° (W90)</p>  <p>4.6 kg (10.1 lb)</p>	<p>Ceiling (C90)</p>  <p>4.1 kg (9.0 lb)</p>	<p>Straight electrical tube (P90)</p>  <p>4.3 kg (9.4 lb)</p>
<p>Pendant mounting 90° (H90)</p>  <p>4.6 kg (10.1 lb)</p>	<p>Bending Electrical Tube 25° (S25)</p>  <p>4.9 kg (10.8 lb)</p>	<p>Bending Electrical Tube 90° (S90)</p>  <p>5.0 kg (11.0 lb)</p>

Optional Accessory



Applicable Area

- Oil Refinery Complex
- Petrochemical Complex
- Painting Facility
- Transporting Nature Gas
- Transporting Liquefied Petroleum Gas
- Offshore Platform (Oil and Natural Gas)