

5500

WIRE ROPE LOAD CELL

Low cost load cell specially designed to measure the tension force on hoisting rope.

Model 5500 2t + accessories



Features

- CE certified for hoisting applications
- Easy installation directly and without dismantling on the hoisting rope
- Very large range of measured load on the cable (from 0.25 up to 24 tons)
- Very large range of cable suitable (available diameters: from: 6 up to 46 mm)
- Material: Nickel plated steel (also available in stainless steel)
- Protection IP 65
- Sturdy design
- Reliable and economical solution
- Complete range of "CE" certified electronics and load limiters
- Cable length: See drawing's table (CL)
- Available options (non exhaustive list):
 - o ATEX intrinsic safety Ex II 1GD Ex ia IIC T6 or T4 Ga Ex ia IIIC T80 C Da
 - o high service temperature (180 °C)
 - o amplified output (V or mA)

Applications

The SENSY's load cell 5500 is perfectly designed to the following applications :

- Hoisting devices and crane's security in combination with a load limitation electronic: (BRIDGEBOY, CRANEBOY, ...)
- Especially designed for equipment of existing cranes

Capacities

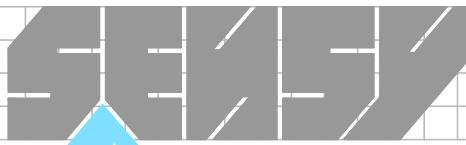
5500 : 0.25 to 24 t
on the wire rope

Specifications	2 - 5%	
Reference temperature	23	C
Nominal temperature range	-10...+45	C
Service temperature range	-30...+70	C
Storage temperature range	-50...+85	C
Temperature coefficient of the sensitivity	< ± 0.1	% F.S./10 C
Temperature coefficient of zero signal	< ± 0.1	% F.S./10 C
Input resistance	352 ± 2	Ohm
Output resistance	352 ± 2	Ohm
Insulation resistance (50V)	> 5000	Megaohm
Reference excitation voltage	10	VDC
Nominal range of excitation voltage	3..12	VDC
Nominal sensitivity	± 1 **	mV/V
Safe load limit	200	% F.S.
Breaking load	> 300	% F.S.
Permissible dynamic loading	70	% F.S.

* : Can be different (according to the wire rope)

F.S.: full scale - Specifications subject to change without notice

Combined error depends on rope material and on site calibration



www.sensy.com

LOAD CELLS

model 5500

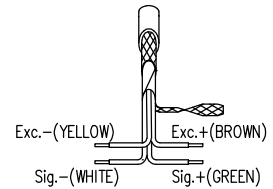
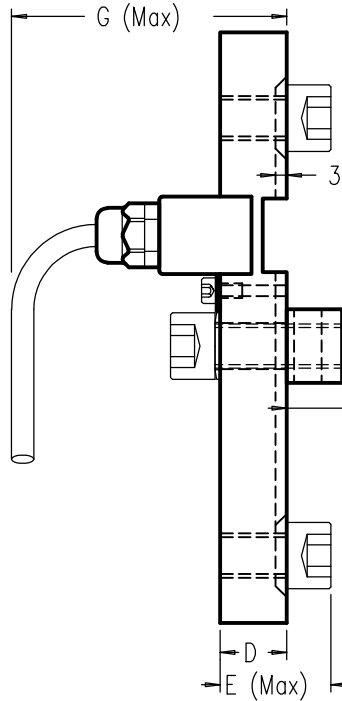
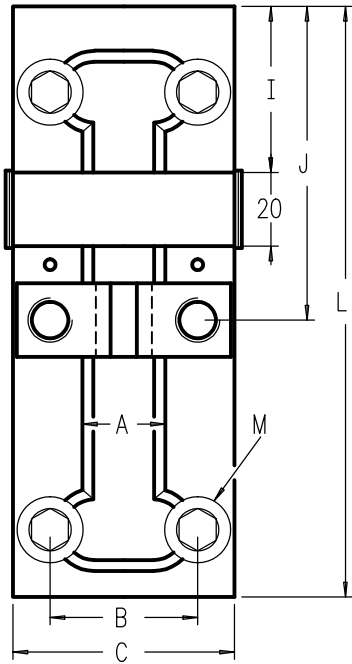
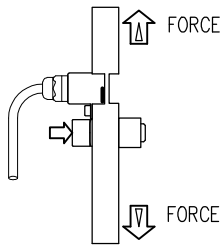
WIRE ROPE LOAD CELL

Range cable ϕ 6–46 mm IP65

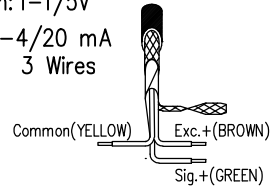
Cable length : See table (CL)



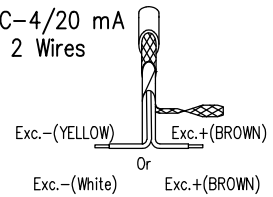
Standard cable



Option: T-1/5V
or J-4/20 mA
3 Wires



Option C-4/20 mA
2 Wires

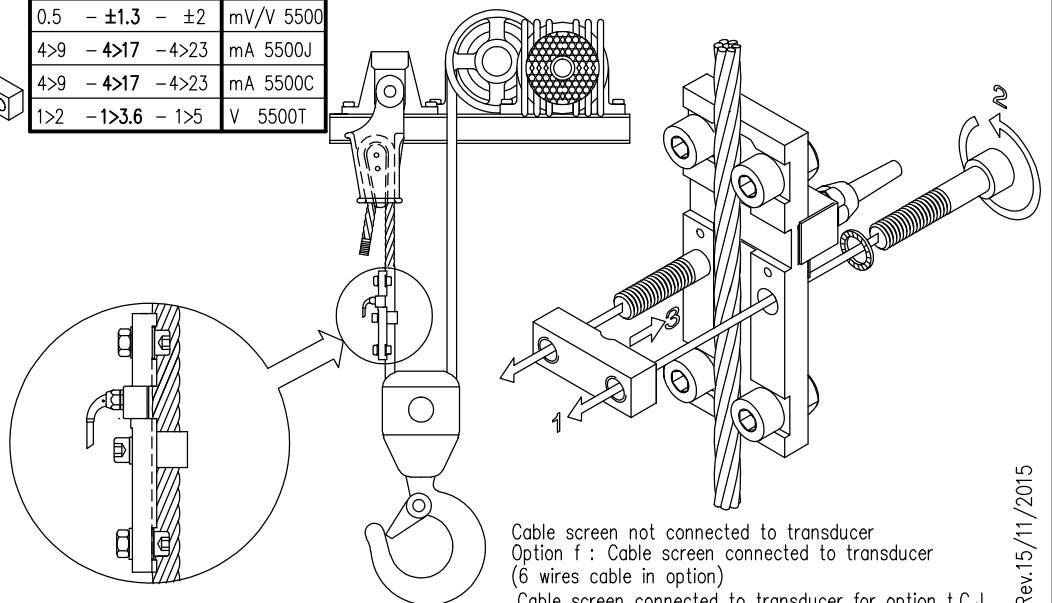


MODEL	CABLE ϕ (mm)	LOAD t.(2) Min-NOMINAL-Max	$\pm A$	B	C	D	E	$\pm F$	G	I	J	L	M	Torque		CL(m)	Weight
														(Optimum)			
1TTSA(3)	1TTSI	6/9-10/15	0.25 - 0.8 - 1.2	20	40	60	18	30	100	45	85	160	M12	10 Nm	3	1.75 kg	
1TSA (1)	1TSI	6/9-10/15	0.4 - 1.1 - 1.5											15 Nm			
1SA (1)	1SI	6/9-10/15 16-22	0.75 - 2 - 2.8											20 Nm	3	1.8 kg	
1A (1)	1I	6/9-10/15 16-22	1.6 - 3.5 - 5											25 Nm			
2A (1)	2I	14-28	2 - 5 - 7	25	50	75	18	30	40	100	45	85	160	M12	20 Nm	3	2.1 kg
3A	3I	26-36	5.5 - 10 - 16	25	68	100	25	41	55	115	55	95	200	M16	25 Nm	6	4.3 kg
4A	/	30-46	10 - 15 - 24	35	75	115	26	46	70	116	55	110	230	M20	50 Nm		

0.5	- ± 1.3	- ± 2	mV/V 5500
4>9	- 4>17	- 4>23	mA 5500J
4>9	- 4>17	- 4>23	mA 5500C
1>2	- 1>3.6	- 1>5	V 5500T

Stainless steel

- (1) Alloy steel=Label VGS
- (2) Table detailing sensitivity and SENSY electronics limits for each cable diameter, available upon request
- (3) Only in version 5500J 4-20 mA 3 wires



Cable screen not connected to transducer
Option f : Cable screen connected to transducer (6 wires cable in option)
Cable screen connected to transducer for option t,C,J

Rev:15/11/2015