

VibraLINK® enclosures

Switchable junction boxes



Standard model: 1-12 channels

VibraLINK® switchboxes (VLS) handle up to 48 inputs of standard IEPE sensors. Flexible design enables a single board to be configured for 6, 8 or 12 channels. NEMA 4 rated enclosures are available in stainless steel or fiberglass to meet industrial or food processing applications. VibraLink® enclosures come standard with pre-drilled access holes for easy cable entry and exit with user-selected cable grips or conduits.

An industry exclusive data ready light (patent pending) provides visual confirmation when sensor BOV has stabilized and data can be taken without risk of ski-slope interference. Low frequency anomalies resulting from magnet slap and discharge time constant settling can be avoided. Wilcoxon's advanced LED indication feature helps to minimize time spent in the field by ensuring only viable data has been collected.

BNC and 2 pin MIL-5015 connectors are included for compatibility with most popular data collectors including the MachineryMate 800 meter. For online monitoring, optional terminal strip connectors are available. VibraLink switchboxes enable machinery health monitoring from a safe location minimizing risks of walkaround collection and reducing long cable costs.



Expandable model: 12-48 channels

Note: Due to continuous process improvement, specifications are subject to change without notice. This document is cleared for public release.

Key features

- Data ready light
- Up to 48 channels
- 55% more internal space
- Low cost
- Durable and built to last
- Lifetime warranty
- BNC and MIL-5015 connector
- For use with all IEPE sensors
- Manufactured in an approved ISO 9001 facility

Certifications



Wilcoxon Sensing Technologies
20511 Seneca Meadows Parkway
Germantown, MD 20876
info@wilcoxon.com

Tel: (301) 330 8811
Fax: (301) 330 8873
www.wilcoxon.com

Wilcoxon Sensing Technologies
An Amphenol Company

VibraLINK® enclosures

Switchable junction boxes

SPECIFICATIONS

Hardware		
Channels, user selected		6, 8, 12, 24, 36, 48
Output connectors		BNC and 2-pin MIL-5015
Material, user selected		fiberglass or stainless steel
Dimensions		10x8x4 in, 6-12 channels (non-expandable) 20x16x8 in, 12-48 channels (expandable)
Hinge		stainless steel continuous weld
Latch		stainless steel butterfly knob
Input/output fittings, user selected		cable grips or conduit
Terminal block connectors		3 positions per channel
Online connectors (optional)		24 multi-pin, removable
Rating	fiberglass	NEMA 4X/IP66
	steel	NEMA 4/IP66
Mounting		4 stainless steel feet (fiberglass model includes configurable feet)
Sensor support		IEPE
Data setting time, variable, indicated by data ready LED		green: stable BOV yellow: BOV stabilizing red: error detected
Channel selector		12 position dial switch, differential switching

Contact

Wilcoxon Sensing Technologies

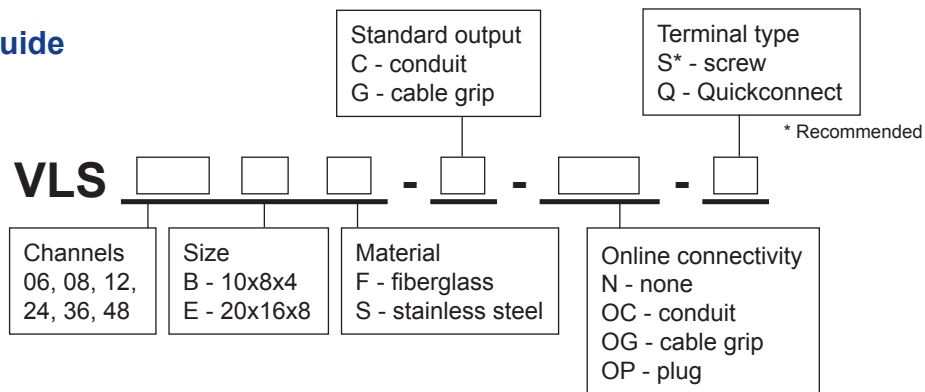
20511 Seneca Meadows Parkway
Germantown MD 20876, USA

Tel: +1 301 330 8811
Fax: +1 301 330 8873

info@wilcoxon.com

www.wilcoxon.com

Ordering guide



Examples:

VLS06BF-C-OG-S: 6 channel switchbox, fiberglass 10x8x4 enclosure with screw terminals and conduit outputs, online connectivity with cable grip output

VLS24ES-G-OP-Q: 24 channel switchbox, stainless steel 20x16x8 enclosure with Quickconnect terminals and cable grip outputs, online connectivity with plugged hole output

Note: Due to continuous process improvement, specifications are subject to change without notice. This document is cleared for public release.

Accessories supplied:

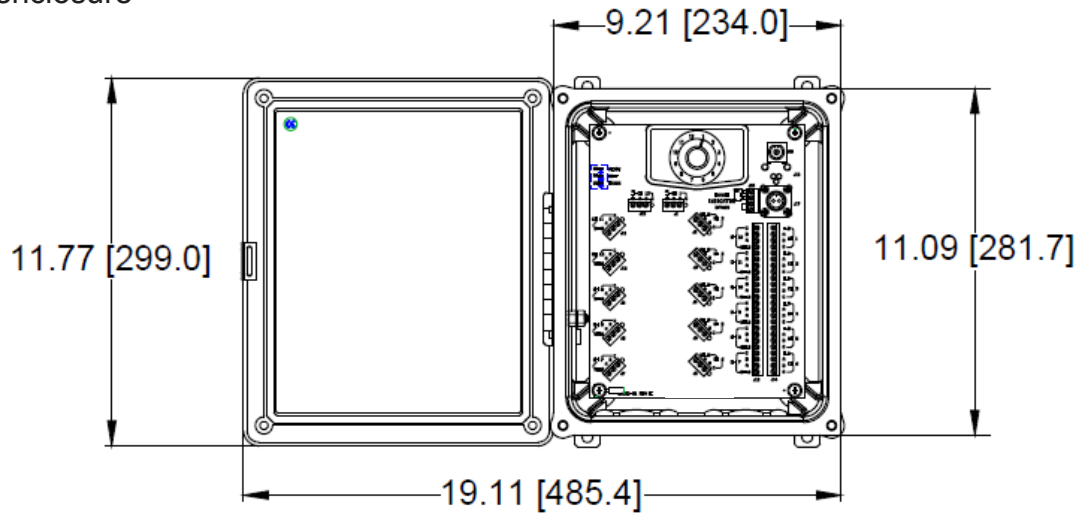
- Transducer location log
- Mounting feet
- Grounding lug
- Cable grip plugs (based on model ordered)

VibraLINK[®] enclosures

Switchable junction boxes

Drawings

1-12 channel enclosure



12-48 channel expandable enclosure

