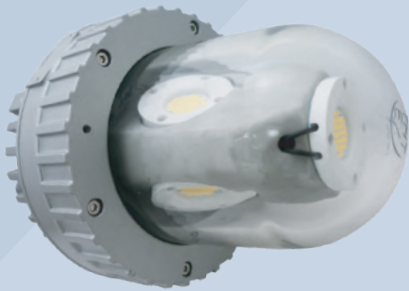


L1705C

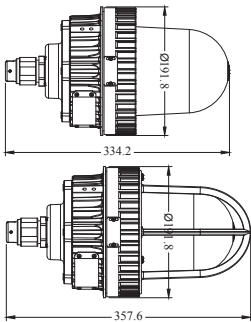


Net Weight : 9.5 kg



Field Installation

Certifications :



Dimension in Millimeters

Applicable Location

- Class I, Division 2, Group A, B, C and D
- Class II, Division 1, Group E, F and G

Environmental Rating

- NEMA 6/6P
- IP 67/68

Applicable Area

- Oil Refinery Complex
- Petrochemical Complex
- Painting Facility
- Transporting Nature Gas
- Transporting Liquefied Petroleum Gas
- Offshore Platform (Oil and Natural Gas)

Electrical Ratings

Voltage	120V / 277V / 480VAC (COB 80W only)
Frequency	50Hz / 60Hz
Amps	0.2 ~ 0.8A
Wattage	40W / 50W / 70W / 80W
Operating Temperature	-40°C ~ +40°C
Power Factor	> 0.95

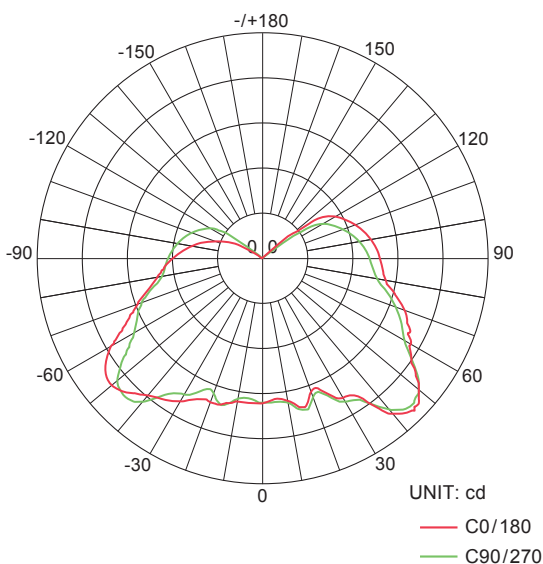
Raw Materials

Housing	Aluminum Alloy
Screws	Stainless Steel
Tempered Glass	IEC Standards impact-resistant > 4 Joule

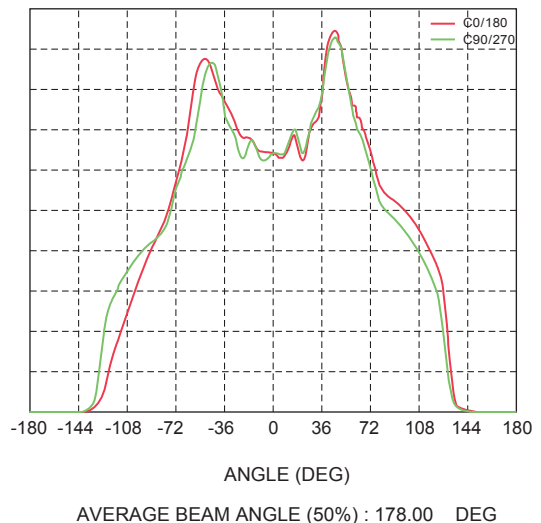
In accordance with special application requirement, THT-EX is able to offer higher specifications on Explosion-proof LED lighting devices, includes

- Lighting can be started at low temperature -65°C
- Lighting can be used at temperature 100°C
- IP rating IP68
- Salt water spray test 1000 hours

Polar Luminous Intensity Distribution



Luminous Intensity Distribution Diagram



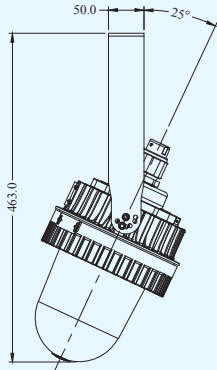
Optical Information

CCT	3000K \pm 10% (Warm White) 5000K \pm 10% (Cool White)
CRI	> 80 (Warm White) > 70 (Cool White)
Lum/Watt.	\geq 90 (Warm White) \geq 100 (Cool White)
Beam Angle	\geq 110° (Warm White) \geq 110° (Cool White)
IES Files	Available upon request

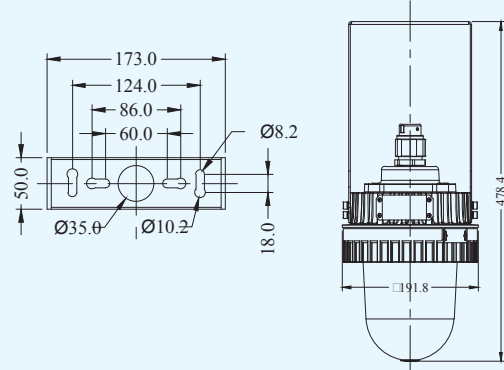
● Standard Product

Dimensions and Mounting(Mounting Code)

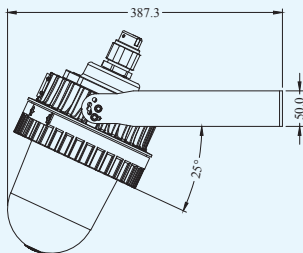
Hanging Mount 25° (H25)



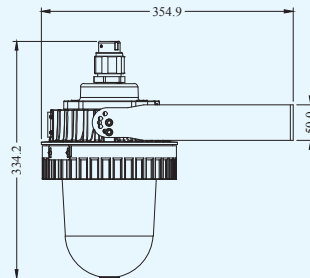
Hanging Mount 90° (H90)



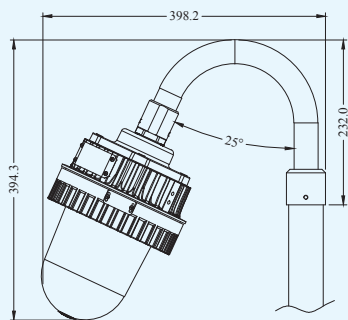
Wall Mount 25° (W25)



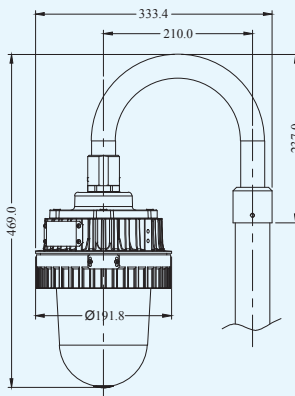
Wall Mount 90° (W90)



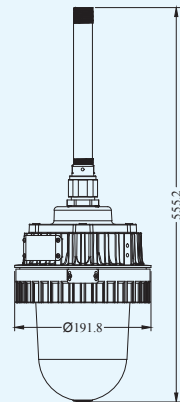
Stanchion 25° (S25)



Stanchion 90° (S90)

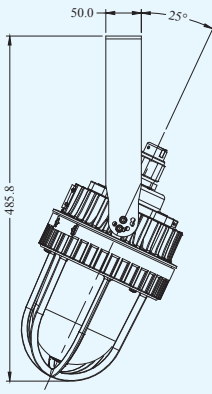
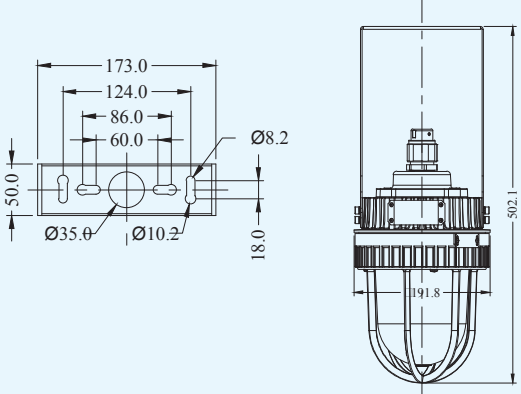
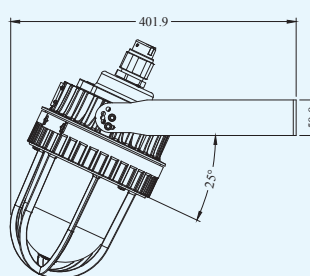
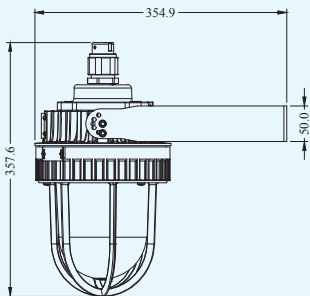
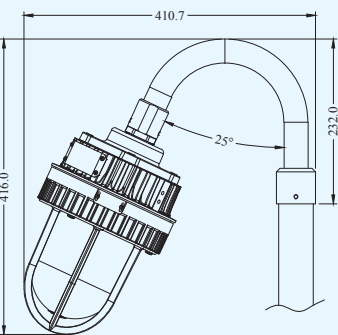
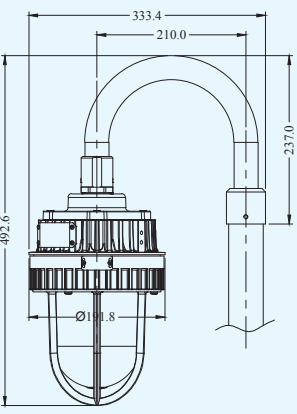
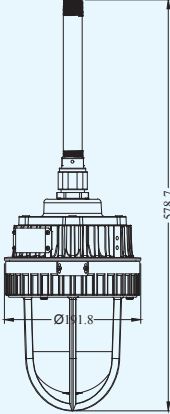


Pendant (P90)





● **With optional accessory “Guard”**

Dimensions and Mounting(Mounting Code)

Hanging Mount 25° (H25G)	Hanging Mount 90° (H90G)	
		
Wall Mount 25° (W25G)	Wall Mount 90° (W90G)	
		
Stanchion 25° (S25G)	Stanchion 90° (S90G)	Pendant (P90G)
		

Part Number

• W.W. : 3000K±10% • C.W. : 5000K±10%

Model No.	Certifications	Watt.	Volt.	Color	Part Number
L1705C (COB)	 <ul style="list-style-type: none"> • UL844 Class I, Division 2, Group A, B, C and D • UL1598 Class II, Division 1, Group E, F and G 	40W	120V	W.W.	THTH1705CBBW6D0
		50W			THTH1705CBBW6E0
		70W			THTH1705CBBW6G0
		80W			THTH1705CBBW6H0
		40W		C.W.	THTH1705CBBC6D0
		50W			THTH1705CBBC6E0
		70W			THTH1705CBBC6G0
		80W			THTH1705CBBC6H0
		40W	277V	W.W.	THTH1705CBBW9D0
		50W			THTH1705CBBW9E0
		70W			THTH1705CBBW9G0
		80W			THTH1705CBBW9H0
		40W		C.W.	THTH1705CBBC9D0
		50W			THTH1705CBBC9E0
		70W			THTH1705CBBC9G0
		80W			THTH1705CBBC9H0
		80W	480V	W.W.	THTH1705CBBWCH0
		80W		C.W.	THTH1705CBBCCH0
L1705C (DOB)	 <ul style="list-style-type: none"> • UL844 Class I, Division 2, Group A, B, C and D • UL1598 Class II, Division 1, Group E, F and G 	40W	120V	W.W.	THTH1705CBAW6D0
		50W			THTH1705CBAW6E0
		70W			THTH1705CBAW6G0
		80W			THTH1705CBAW6H0
		40W		C.W.	THTH1705CBAC6D0
		50W			THTH1705CBAC6E0
		70W			THTH1705CBAC6G0
		80W			THTH1705CBAC6H0
		40W	277V	W.W.	THTH1705CBAW9D0
		50W			THTH1705CBAW9E0
		70W			THTH1705CBAW9G0
		80W			THTH1705CBAW9H0
		40W		C.W.	THTH1705CBAC9D0
		50W			THTH1705CBAC9E0
		70W			THTH1705CBAC9G0
		80W			THTH1705CBAC9H0

Ordering information: Part number + Mounting code