



**Pneumatic
Double Acting
Automated
Ball Valve Package
Series 30
3-Way Flanged Ball Valve**

Sizes 1-1/2" -12"

316SST or WCB

Full Port Design

ANSI Class 150 and 300

1-pc Ball & Stem

Blowout Proof Stem

RTFE Seats Standard

"L" or "T" Port Option

Trunnion Ball Design

Lockable Manual Handle

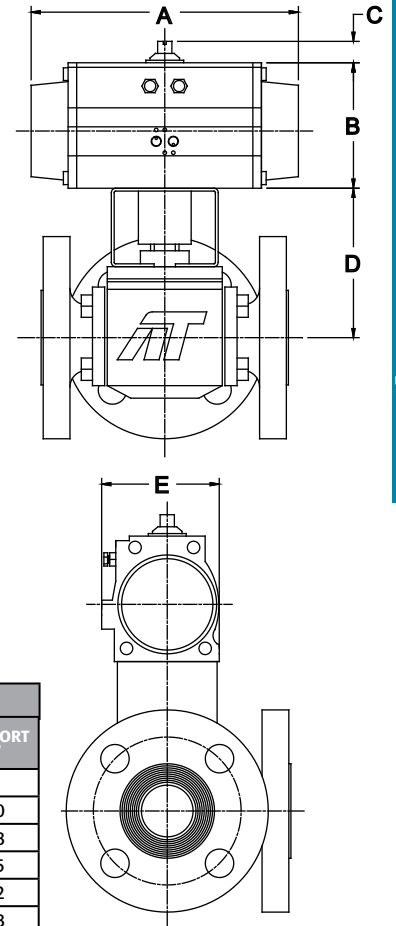
For 10" and above, call factory

STANDARDS

Design ANSI/ASME B16.34
 Flanged Ends ANSI/ASME B16.5
 Face-to-Face (per factory's standard)
 Pressure Testing API 598
 Mounting ISO 5211
 Marking System for Valves MSS SP-25
 Material Certification EN 10204-3.1 MTR
 Quality Assurance ISO 9001:2008



Flanged 3-Way



SERIES 30 3-Way

DIMENSIONS (IN)

VALVE SIZE	A	B	C	D	E
1-1/2"	9.29	4.49	0.79	5.04	4.41
2"	11.46	5.28	0.79	5.43	5.20
2-1/2"	13.90	6.18	0.79	8.11	6.04
3"	13.90	6.18	0.79	8.15	6.04
4"	15.16	6.93	1.18	9.29	6.69
6"	25.44	10.12	1.18	13.28	9.29
8"	25.44	10.12	1.18	14.07	9.29
10"	CF	CF	CF	CF	CF
12"	CF	CF	CF	CF	CF

Valve Cv	
T-PORT STRAIGHT THRU	L & T-PORT 90°
198	50
430	120
670	158
1,170	275
2,070	422
5,000	788
8,800	1,828
13,500	3,159
20,130	4,626

DIMENSIONS SHOWN ARE FOR ASSEMBLIES SIZED FOR 80 PSI SUPPLY

**SIZED FOR
80 psi AIR SUPPLY**

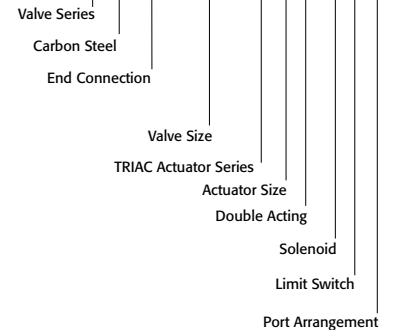
SIZE	MODEL
1-1/2"	30-F1-150/2R3D-XX-T
2"	30-F1-200/2R5D-XX-T
2-1/2"	30-F1-250/2R6D-XX-T
3"	30-F1-300/2R6D-XX-T
4"	30-F1-400/2R7D-XX-T
6"	30-F1-600/2R0D-XX-T
8"	30-F1-800/2RBD-XX-T
10"	CF
12"	CF

**SIZED FOR
60 psi AIR SUPPLY**

SIZE	MODEL
1-1/2"	30-F1-150/2R4D-XX-T
2"	30-F1-200/2R6D-XX-T
2-1/2"	30-F1-250/2R6D-XX-T
3"	30-F1-300/2R7D-XX-T
4"	30-F1-400/2R8D-XX-T
6"	30-F1-600/2RBD-XX-T
8"	CF
10"	CF
12"	CF

SAMPLE PART #

30C-F1-150/2R3D-XX-T



OPTIONS

DESCRIPTION	PART NO. SUFFIX	DESCRIPTION	PART NO. SUFFIX
NEMA 4 Solenoid	(A)	NEMA 4 Limit Switch (2) spdt	(A)
NEMA 7 Solenoid	(B)	NEMA 7 Limit Switch (2) spdt	(B)
Intrinsically Safe Solenoid	(C)	Intrinsically Safe Limit Switch	(C)

Other options available - call for details Actuators are sized based on clean/clear fluid.
 Specify flow pattern when ordering (see back) See part # matrix for complete model #



9955 International Blvd. PHONE (513) 247-5465
 Cincinnati, Ohio 45246 FAX (513) 247-5462
 www.atcontrols.com sales@atcontrols.com