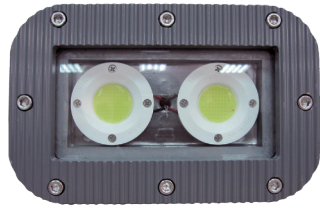




P1202

Universal Explosion-proof LED Lighting

NOM This product is in compliance with NOM regulations.



40W



Net Weight: 3.7 kg (8.1 lb)

Zone 1 **Zone 2** **Zone 21** **Zone 22** **IP68** **NEMA 6P**

Protection

- Ex d IIB + H₂ T₅...T₄ Gb
- Ex tb IIIC T₁₁₀°C Db

Standards

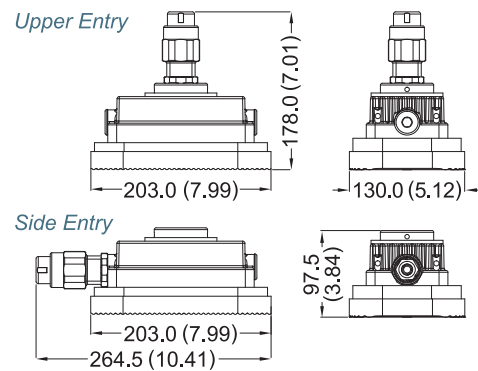
- CNS 3376-0
- CNS 3376-1
- IEC 60079-31

Light Features

- Compact size, Light weight and Portable
- Applicable to high temperature environment
- Salt Spray 1000 hrs passed

Technical Data

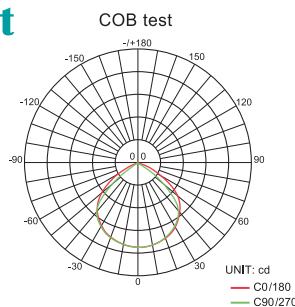
Rated Voltage (±10%)	24V / 110V / 220V / 277V / 480V AC	
Watts (±10%)	40W (Watts of 24V are different, please contact us for details.)	
Amps	40W 24V: 1.67A, 110V: 0.36A, 220V: 0.18A, 277V: 0.14A, 480V: 0.08A	
Color of LED Light	3000K (Warm White) / 5000K (Cool White)	
Ambient Temperature	-20°C ~ +40°C, T ₅	
Power Factor	cos ≥ 0.9, cos ≥ 0.87(480V)	
CRI	Cool White ≥ 70 / Warm White ≥ 80	
Lumen (±10%)	COB	40W
	3000K	3800lm
	5000K	4000lm
Beam Angle	X-105° / Y-105°	
Frequency	50 / 60 Hz	
Degree of Protection	IP68 / NEMA 6P	
Material	• Enclosure	Aluminum alloy
	• Glass	Tempered glass
LED Service Life	60,000 hrs	
Entrance Thread	1 × NPT 3/4" or M20 (Side entry only)	



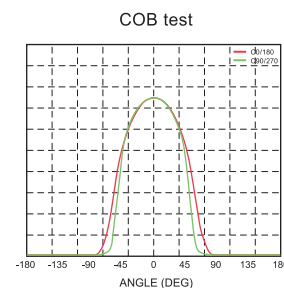
Dimension in Millimeters (inches)

Optical Report

Polar Luminous Intensity Distribution



Luminous Intensity Distribution Diagram



Model Code

THT Brand, THT=TOP HI-TECH CO., LTD.

2P Category of product, 2P=Projection Light

A Current of LED module, A=AC

40W Wattage, 40W=40W

d Protection type of product, d=d type

5 Temperature class of product, 5=T₅

C Voltage, 1=110V, 2=220V, 3=24V, 9=277V, C=480V

C C.C.T., C=Cool White, W=Warm White

1202 Model Name, 1202=Model P1202

C90 Mounting bracket type
W25/90=Wall Mount 25°/90°
H25/90=Hanging Mount 25°/90°
S25/90=Stanchion 25°/90°
P90=Pendant
C90=Ceiling
LA=Long Adjustable

Mounting Option & Dimensions (All in mm)

Wall Mount 25° (W25): 4.6 kg (10.1 lb)

Wall Mount 90° (W90): 4.6 kg (10.1 lb)

Pendant (P90): 4.3 kg (9.4 lb)

Ceiling (C90): 4.1 kg (9.0 lb)

Hanging Mount 25° (H25): 4.6 kg (10.1 lb)

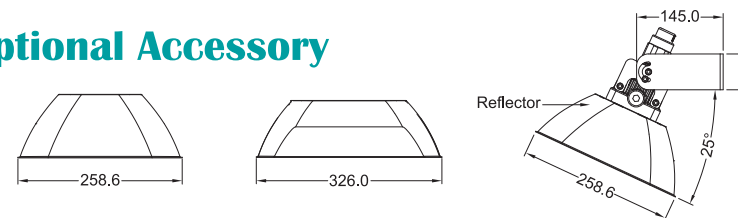
Hanging Mount 90° (H90): 4.6 kg (10.1 lb)

Stanchion 25° (S25): 4.9 kg (10.8 lb)

Stanchion 90° (S90): 5.0 kg (11.0 lb)

Long Adjustable (LA): 11.3 kg (24.9 lb)
Height and angle adjustable
Optional wheel accessory could be added if specified

Optional Accessory



Applicable Area

- Oil Refinery Complex
- Petrochemical Complex
- Painting Facility
- Transporting Nature Gas
- Transproting Liquefied Petroleum Gas
- Offshore Platform (Oil and Natural Gas)