



L1219C

Universal Explosion-proof LED Lighting



Net Weight: 9.1 kg (20.0 lb)



LED Tower

Zone 1	Zone 2	Zone 21	Zone 22	IP68	NEMA 6P
---------------	---------------	----------------	----------------	-------------	----------------

Protection

- Ex d IIB + H₂ T6 Gb
- Ex tD A21 T65°C...T100°C

Standards

- GB 3836.1
- GB 3836.2
- GB 12476.1
- GB 12476.5
- IEC 61241-1

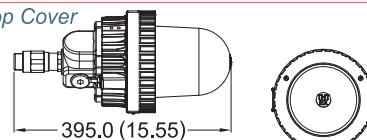
Light Features

- 360° illumination angle
- Applicable to high temperature environment
- Ideal for replacing traditional HPS Lighting

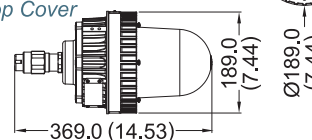
Technical Data

Rated Voltage (±10%)	24V (80W only) / 110V / 220V AC					
Watts (±10%)	40W / 50W / 60W / 70W / 80W (Watts of 24V are different, please contact us for details.)					
Amps	40W 110V: 0.36A, 220V: 0.18A / 50W 110V: 0.45A, 220V: 0.23A / 60W 110V: 0.55A, 220V: 0.27A / 70W 110V: 0.64A, 220V: 0.32A / 80W 24V: 3.33A, 110V: 0.73A, 220V: 0.36A					
Color of LED Light	3000K (Warm White) / 5000K (Cool White)					
Ambient Temperature	-20°C ~ +40°C, T6...T4					
Power Factor	cos ≥ 0.9					
CRI	Cool White ≥ 70 / Warm White ≥ 80					
Lumen (±10%)	COB	40W	50W	60W	70W	80W
	3000K	3600 lm	4500 lm	5400 lm	6300 lm	7200 lm
	5000K	4000 lm	5000 lm	6000 lm	7000 lm	8000 lm
Beam Angle	X-110° / Y-110°					
Frequency	50 / 60 Hz					
Degree of Protection	IP68 / NEMA 6P					
Material	• Enclosure • Glass	Aluminum alloy Tempered glass				
LED Service Life	60,000 hrs					
Entrance Thread	G 3/4" × 4 (Tall top cover) G 3/4" × 1 (Short top cover)					

Tall Top Cover



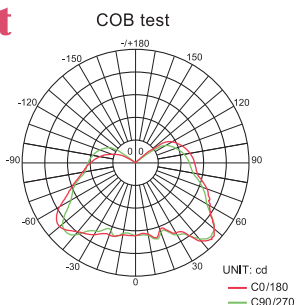
Short Top Cover



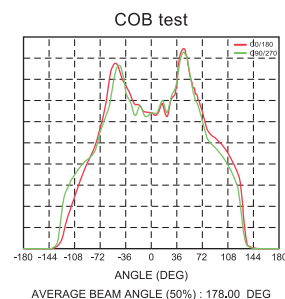
Dimension in Millimeters (inches)

Optical Report

Polar Luminous Intensity Distribution



Luminous Intensity Distribution Diagram



L1219C

Model Code

THT-EX	1219	C	E	T	B	4	1	C90
---------------	-------------	----------	----------	----------	----------	----------	----------	------------

Brand, THT=TOP HI-TECH CO., LTD.

Model Name, 1219=Model L1219

C.C.T., C=Cool White, W=Warm White

Voltage, A=24V, C=110V, E=220V

Type of LED carrier, T=Triangular

Type of Top Cover, A=Tall type, B=Short type

LED quantity

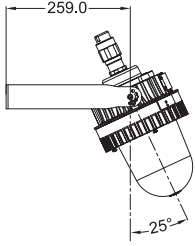
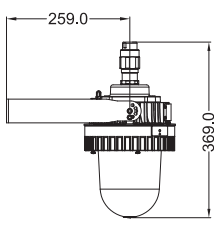

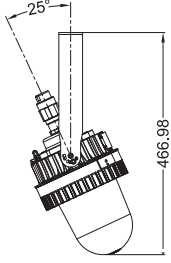
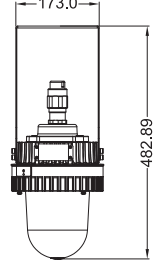
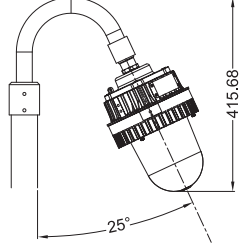
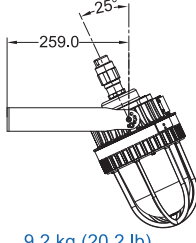
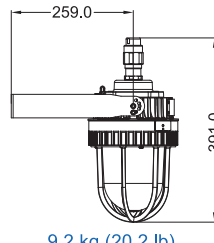
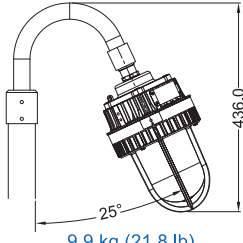
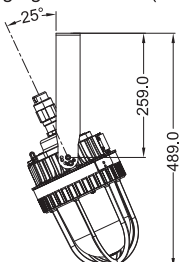
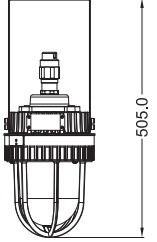

Wattage, 1=40W, A=50W, 60W, 70W, 2=80W

Mounting bracket type
 W25/90=Wall Mount 25°/90°
 H25/90=Hanging Mount 25°/90°
 S25/90=Stanchion 25°/90°
 P30=Pendant
 C90=Ceiling

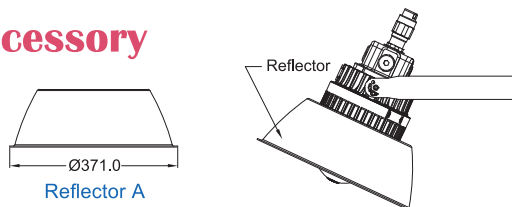
Mounting Option & Dimensions (All in mm)

Tall Top Cover (Standard Product)			
Wall Mount 25° (W25) 9.6 kg (21.2 lb)	Wall Mount 90° (W90) 9.6 kg (21.2 lb)	Stanchion 25° (S25) 10.5 kg (23.1 lb)	Ceiling (C90) 9.9 kg (21.8 lb)
Hanging Mount 25° (H25) 9.6 kg (21.2 lb)	Hanging Mount 90° (H90) 9.6 kg (21.2 lb)	Stanchion 90° (S90) 10.3 kg (22.3 lb)	Pendant (P30) 9.6 kg (21.1 lb)
Tall Top Cover (With Accessory "Guard")			
Wall Mount 25° (W25G) 9.8 kg (21.6 lb)	Wall Mount 90° (W90G) 9.8 kg (21.6 lb)	Hanging Mount 25° (H25G) 9.8 kg (21.6 lb)	Ceiling (C90G) 10.1 kg (22.2 lb)
Stanchion 25° (S25G) 10.7 kg (23.5 lb)	Stanchion 90° (S90G) 10.5 kg (23.1 lb)	Hanging Mount 90° (H90G) 9.8 kg (21.6 lb)	Pendant (P30G) 9.8 kg (21.6 lb)

Mounting Option & Dimensions (All in mm)

Short Top Cover (Standard Product)		
<p>Wall Mount 25° (W25)</p>  <p>9.0 kg (19.8 lb)</p>	<p>Wall Mount 90° (W90)</p>  <p>9.0 kg (19.8 lb)</p>	<p>Pendant (P30)</p>  <p>9.0 kg (19.8 lb)</p>
<p>Hanging Mount 25° (H25)</p>  <p>9.0 kg (19.8 lb)</p>	<p>Hanging Mount 90° (H90)</p>  <p>9.0 kg (19.8 lb)</p>	<p>Stanchion 25° (S25)</p>  <p>9.7 kg (21.3 lb)</p>
Short Top Cover (With Accessory "Guard")		
<p>Wall Mount 25° (W25G)</p>  <p>9.2 kg (20.2 lb)</p>	<p>Wall Mount 90° (W90G)</p>  <p>9.2 kg (20.2 lb)</p>	<p>Stanchion 25° (S25G)</p>  <p>9.9 kg (21.8 lb)</p>
<p>Hanging Mount 25° (H25G)</p>  <p>9.2 kg (20.2 lb)</p>	<p>Hanging Mount 90° (H90G)</p>  <p>9.2 kg (20.2 lb)</p>	<p>Pendant (P30G)</p>  <p>9.2 kg (20.2 lb)</p>

Optional Accessory



Applicable Area

- Oil Refinery Complex
- Petrochemical Complex
- Painting Facility
- Transporting Nature Gas
- Transporting Liquefied
- Petroleum Gas
- Offshore Platform (Oil and Natural Gas)