

5580-5585

## RUNNING LINE TENSIONMETER WITH REMOVABLE CENTER SHEAVE

Load cell specially designed to measure the tension force applied to a running cable or a running rope. The removable center sheave allows easy installation without the need to cut the winch lines.

Model 5580



### Features

- Wide range of cables (Ø from 6 up to 115 mm)
- Protection : IP67
- Material :
  - o load pin : stainless steel
  - o Other elements : stainless steel (5580)
  - o Other elements : nickel plated steel (5585)
- Complete range of electronics and load limitation devices
- Custom made manufacturing
- Cable length: 6m
- Available options (non exhaustive list) :
  - o load pin's certification Ex 'i' (ATEX, IECEx, CSA)
  - o load pin's explosion proof Certification Ex 'd' (ATEX)
  - o amplified output (V or mA)
  - o protection IP68 or special for marine environment
  - o sheaves of synthetic material

### Applications

The SENSY's load cells 5580 and 5585 are perfectly designed to the following applications :

- Tension measurement of towage and haulage cable
- Force measurement of winches
- Load limitation of hoisting devices, cranes and overhead cranes  
(in combination with load limitation devices (CRANEBOY, BRIDGEBOY, ...))

### Capacities

5580-5585 : from 1 to 600 t

Specifications	2 - 5%	
Reference temperature	23	C
Nominal temperature range	-10...+45	C
Service temperature range	-30...+70	C
Storage temperature range	-50...+85	C
Temperature coefficient of the sensitivity	< ± 0.1	% F.S./10 C
Temperature coefficient of zero signal	< ± 0.1	% F.S./10 C
Input resistance	352 ± 2	Ohm
Output resistance	352 ± 2	Ohm
Insulation resistance (50V)	> 5000	Megaohm
Reference excitation voltage	10	VDC
Nominal range of excitation voltage	3..12	VDC
Nominal sensitivity	± 1 **	mV/V
Safe load limit	200	% F.S.
Breaking load	> 300	% F.S.
Permissible dynamic loading	70	% F.S.

\* : 'Ex' certifications are applicable to electrical components

\*\* : Can be different (according to the wire rope)

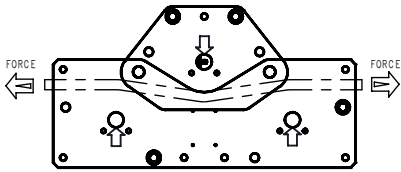
F.S.: full scale - Specifications subject to change without notice

Combined error depends on rope material and on site calibration

# RUNNING LINE TENSIOMETER

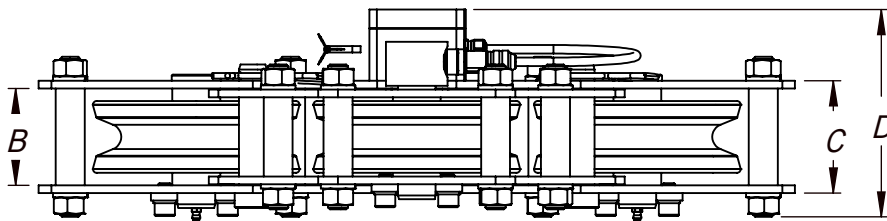
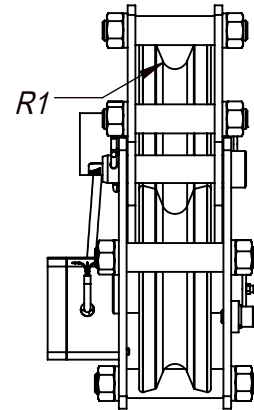
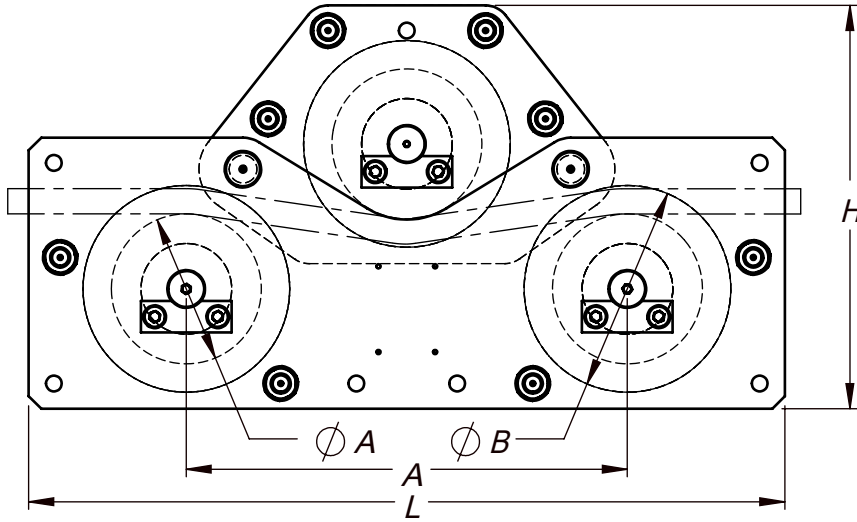
Model 5580

Stainless Steel



FOR CABLE (Ø6) Ø8 to 115 mm

Range 0.4-600t IP67

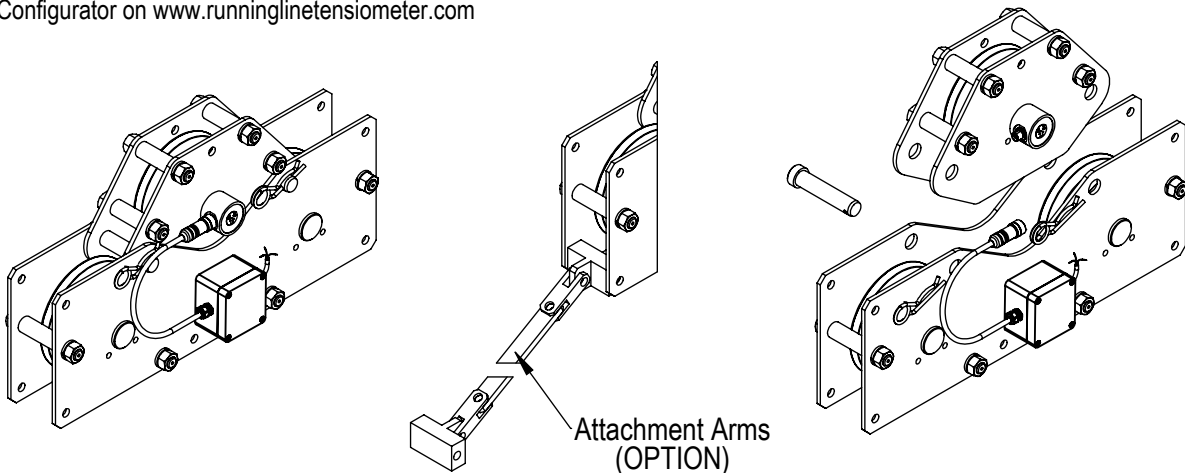


Other sizes and capacities on request  
Some examples:

CAPACITES	Ø CABLE (mm)	Ø A	Ø B	R1	A	B	C	D	H	L	Max. Speed	Weight (kg)
400 kg	8	48	90	8.5	500	34	50	110	117	630	1 m/s	± 9
1.5t	12	48	90	8.5	500	34	50	110	140	630	1 m/s	± 10.6
6 t	16	119	151	9	500	34	50	110	140	661	6 m/s	± 38
20 t	min 28 - max 32	120	184	17	900	63	79	159	341	1210	80 m/min	± 51
40 t	36	206	278	19	900	94	122	224	497	1188	10 m/min	± 224

Ø 38 -> Ø 115 to customer design specifications (up to 600 t)

Configurator on [www.runninglinetensiometer.com](http://www.runninglinetensiometer.com)



Attachment Arms (OPTION)