



Pneumatic Spring Return Automated Ball Valve Package

Series 88 3-Piece Ball Valve

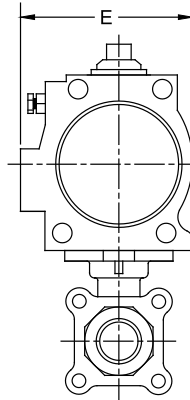
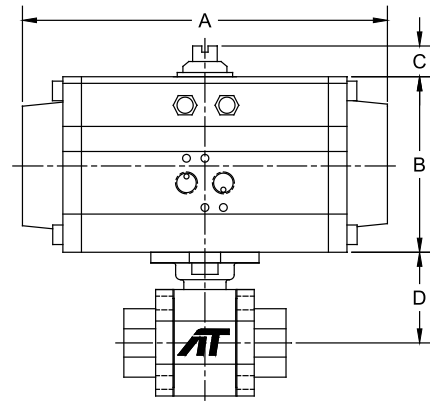
- Sizes 1/4" - 4"
- Full Port Design
- 1000/1500/2000 psi WOG (by size)
- 316SS, WCB, Alloy 20 or Hastelloy C-276
- TH, SW, or BW Ends
- Superior Live Loaded Packing System
- Blowout Proof Stem w/ Dual Anti-Static Devices
- RTFE Seats Standard
- Pyramidal Stem Seal Design
- Monel Ball & Stem Available

STANDARDS

Design	ANSI/ASME B16.34
End Connections	ASME B16.25, B1.20.1, B16.11
Pressure Testing	API 598
Mounting	ISO 5211
Marking System for Valves	MSS SP-25, ISO 5209
Safety Integrity	IEC 61508:2010; SIL 3
Material Certification	EN 10204-3.1 MTR
Quality Assurance	ISO 9001:2008



Direct Mount



DIMENSIONS (IN)

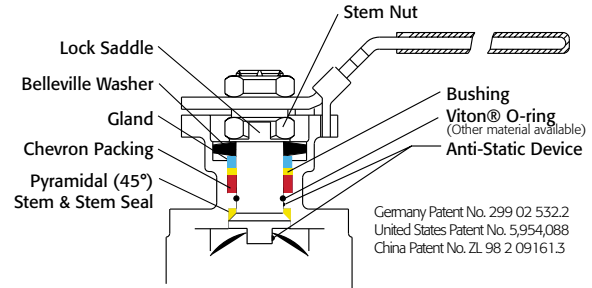
VALVE SIZE	A	B	C	D	E	VALVE Cv
1/4"	7.60	2.76	0.79	1.66	2.58	7
3/8"	7.60	2.76	0.79	1.66	2.58	8
1/2"	7.95	3.43	0.79	1.66	3.29	15
3/4"	9.29	4.49	0.79	1.83	4.41	40
1"	9.29	4.49	0.79	2.31	4.41	70
1-1/4"	9.29	4.49	0.79	2.46	4.41	110
1-1/2"	9.29	4.49	0.79	3.11	4.41	250
2"	10.87	4.88	0.79	3.42	4.82	430
2-1/2"	11.46	5.28	0.79	4.28	5.20	600
3"	15.16	6.93	1.18	4.63	6.69	1,100
4"	15.16	6.93	1.18	5.26	6.69	2,000

DIMENSIONS SHOWN ARE FOR ASSEMBLIES SIZED FOR 80 PSI SUPPLY



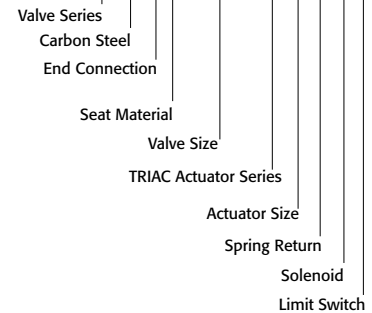
SIZED FOR 80 psi AIR SUPPLY	
SIZE	MODEL
1/4"	88-TX-025/TR1S-XX
3/8"	88-TX-038/TR1S-XX
1/2"	88-TX-050/2R2S-XX
3/4"	88-TX-075/2R3S-XX
1"	88-TX-100/2R3S-XX
1-1/4"	88-TX-125/2R3S-XX
1-1/2"	88-TX-150/2R3S-XX
2"	88-TX-200/2R4S-XX
2-1/2"	88-TX-250/2R5S-XX
3"	88-TX-300/2R7S-XX
4"	88-TX-400/2R7S-XX

SIZED FOR 60 psi AIR SUPPLY	
SIZE	MODEL
1/4"	88-TX-025/TR1S-XX
3/8"	88-TX-038/TR1S-XX
1/2"	88-TX-050/2R2S-XX
3/4"	88-TX-075/2R3S-XX
1"	88-TX-100/2R3S-XX
1-1/4"	88-TX-125/2R3S-XX
1-1/2"	88-TX-150/2R4S-XX
2"	88-TX-200/2R4S-XX
2-1/2"	88-TX-250/2R6S-XX
3"	88-TX-300/2R7S-XX
4"	88-TX-400/2R7S-XX



Germany Patent No. 299 02 532.2
United States Patent No. 5,954,088
China Patent No. ZL 98 2 09161.3

SAMPLE PART # 88C-TX-050/2R2S-XX



See valve part number matrix for complete part number and options.

OPTIONS

DESCRIPTION	PART NO. SUFFIX	DESCRIPTION	PART NO. SUFFIX
NEMA 4 Solenoid	(A)	NEMA 4 Limit Switch (2) spdt	(A)
NEMA 7 Solenoid	(B)	NEMA 7 Limit Switch (2) spdt	(B)
Intrinsically Safe Solenoid	(C)	Intrinsically Safe Limit Switch	(C)

Other options available - call for details
Actuators are sized based on clean/clear fluid.

