

- 4 - 20 mA OUTPUT
- 4 DIGIT LED DISPLAY IN DEGREE C OR F
- RUGGED NEMA 4X ENCLOSURE
- CHOICE OF ALUMINUM OR SS316 ENCLOSURE
- EXPLOSION PROOF CERTIFIED
- 3 YEARS WARRANTY



**Introduction**

IME Model 8080PR1 allows 2 independent alarms to be assigned over the temperature range of the sensor. The unit will accept an input from a Pt100 RTD Sensor and provide an indication on a bright 4 digit LED. The unit serves a dual purpose since in addition to local indication of temperature, which is switch selectable to read Deg F or Deg C, it also serves as an accurate and repeatable temperature switch.

**Description**

IME Model 8080PR1 Temperature Indicator are designed for use in process industries where vibration, inclement weather and corrosive atmospheres prevail. The electronics are enclosed in a copper-free epoxy coated Aluminum housing. For more aggressive environments, a SS316 housing is also available. The housings meet the requirements of NEMA 4X, and are also certified Explosion Proof by CSA, ATEX & IECEx.




**LED Meter**

Model 8080PR1 has a 4 digit LED display. Choice of °C or °F, alarm settings etc can be adjusted via the membrane switches located in the front panel.

**Mounting**

A wide choice of stainless steel mounting brackets are available for mounting the Model 8080PR1 on either a 2" pipe or wall.

**Certification System**

	<p>CLASS I, DIV I GROUPS B, C AND D CLASS II, DIV I GROUPS E, F AND G NEMA 4X, T6</p>
	<p>ATEX II 2 G D Ex d IIC T6 Gb Ex tb IIIC 85°C Db IP68 Ta = -40°C to +60°C</p>
	<p>Ex d IIC T6 Gb Ex tb IIIC 85°C Db IP68 Ta = -40°C to +60°C</p>

**Functional Specifications**

**Indication Accuracy**

0.1% of Calibrated range +/- 1 digit

**Alarm Status Indication**

LED on front panel

**Display Height**

10.0 mm (0.4") high

**Input**

RTD Pt100

**Contact Rating**

230 VAC, 5A, Resistive; 24VDC, 5A, Resistive

**Output Signal**

4- 20 mA

**Supply Voltage**

12 ~ 28 VDC

**Operating Temperature**

-40 - 60 °C

**Weight**

0.9Kg (2LBS) for Aluminum Unit and 1.4Kg (3LBS) for SS316 unit

**Material of Construction**

Enclosure epoxy coated Copper-Free Aluminum or SS316 as specified

**O Rings**

Buna N

**Optional Accessories**

Mounting Brackets (IME Model 175PM, 175RC, 175NR, 175MM)

Both the Aluminum and the SS316 housing are certified NEMA 4X. As indicated below. IME model 8080PR1 can be optionally provided with certification and a stainless steel name plate for use in Hazardous Area applications.

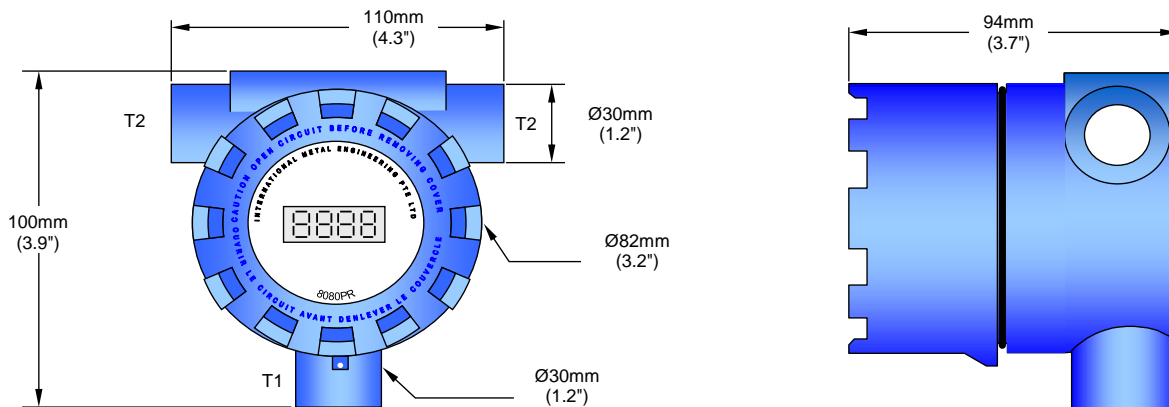
Ordering Information

Model	Description																																																			
8080PR1	Field Mounted Temperature Indicator with Dual Relays and 4- 20 mA Output																																																			
	<table border="1"> <thead> <tr> <th>Code</th> <th>Options, Housing</th> </tr> </thead> <tbody> <tr> <td>A</td> <td>Die cast Aluminum, Epoxy Coated</td> </tr> <tr> <td>T</td> <td>SS316, Electro Polished</td> </tr> </tbody> </table>	Code	Options, Housing	A	Die cast Aluminum, Epoxy Coated	T	SS316, Electro Polished																																													
Code	Options, Housing																																																			
A	Die cast Aluminum, Epoxy Coated																																																			
T	SS316, Electro Polished																																																			
	<table border="1"> <thead> <tr> <th>Code</th> <th>Instrument Connection</th> <th>Conduit Size (T2)</th> </tr> </thead> <tbody> <tr><td>01</td><td>M16 x 2P (See note 1)</td><td>¾" NPT</td></tr> <tr><td>02</td><td>M16 x 2P (See note 1)</td><td>½" NPT</td></tr> <tr><td>03</td><td>M16 x 2P (See note 1)</td><td>M20 x 1.5P (See note 2)</td></tr> <tr><td>04</td><td>½" NPT</td><td>¾" NPT</td></tr> <tr><td>05</td><td>½" NPT</td><td>½" NPT</td></tr> <tr><td>06</td><td>½" NPT</td><td>M20 x 1.5P (See note 2)</td></tr> <tr><td>07</td><td>¾" NPT</td><td>¾" NPT</td></tr> <tr><td>08</td><td>¾" NPT</td><td>½" NPT</td></tr> <tr><td>09</td><td>¾" NPT</td><td>M20 x 1.5P (See note 2)</td></tr> <tr><td>10</td><td>½" BSP (See note 2)</td><td>¾" NPT</td></tr> <tr><td>11</td><td>½" BSP (See note 2)</td><td>½" NPT</td></tr> <tr><td>12</td><td>½" BSP (See note 2)</td><td>M20 x 1.5P (See note 2)</td></tr> <tr><td>13</td><td>¾" NPT</td><td>None</td></tr> <tr><td>14</td><td>M20 x 1.5P (See note 2)</td><td>None</td></tr> <tr><td>16</td><td>½" BSP (See note 2)</td><td>None</td></tr> <tr><td>17</td><td>½" NPT</td><td>None</td></tr> </tbody> </table>	Code	Instrument Connection	Conduit Size (T2)	01	M16 x 2P (See note 1)	¾" NPT	02	M16 x 2P (See note 1)	½" NPT	03	M16 x 2P (See note 1)	M20 x 1.5P (See note 2)	04	½" NPT	¾" NPT	05	½" NPT	½" NPT	06	½" NPT	M20 x 1.5P (See note 2)	07	¾" NPT	¾" NPT	08	¾" NPT	½" NPT	09	¾" NPT	M20 x 1.5P (See note 2)	10	½" BSP (See note 2)	¾" NPT	11	½" BSP (See note 2)	½" NPT	12	½" BSP (See note 2)	M20 x 1.5P (See note 2)	13	¾" NPT	None	14	M20 x 1.5P (See note 2)	None	16	½" BSP (See note 2)	None	17	½" NPT	None
Code	Instrument Connection	Conduit Size (T2)																																																		
01	M16 x 2P (See note 1)	¾" NPT																																																		
02	M16 x 2P (See note 1)	½" NPT																																																		
03	M16 x 2P (See note 1)	M20 x 1.5P (See note 2)																																																		
04	½" NPT	¾" NPT																																																		
05	½" NPT	½" NPT																																																		
06	½" NPT	M20 x 1.5P (See note 2)																																																		
07	¾" NPT	¾" NPT																																																		
08	¾" NPT	½" NPT																																																		
09	¾" NPT	M20 x 1.5P (See note 2)																																																		
10	½" BSP (See note 2)	¾" NPT																																																		
11	½" BSP (See note 2)	½" NPT																																																		
12	½" BSP (See note 2)	M20 x 1.5P (See note 2)																																																		
13	¾" NPT	None																																																		
14	M20 x 1.5P (See note 2)	None																																																		
16	½" BSP (See note 2)	None																																																		
17	½" NPT	None																																																		
	<table border="1"> <thead> <tr> <th>Code</th> <th>Certification</th> </tr> </thead> <tbody> <tr> <td>NN</td> <td>None</td> </tr> <tr> <td>E1</td> <td>CSA, ATEX &amp; IECEx Explosion Proof Certified, NEMA 4X, IP68</td> </tr> </tbody> </table>	Code	Certification	NN	None	E1	CSA, ATEX & IECEx Explosion Proof Certified, NEMA 4X, IP68																																													
Code	Certification																																																			
NN	None																																																			
E1	CSA, ATEX & IECEx Explosion Proof Certified, NEMA 4X, IP68																																																			
	<table border="1"> <thead> <tr> <th>Code</th> <th>Accessories</th> </tr> </thead> <tbody> <tr> <td>RC</td> <td>IME Model 175RC Mounting Bracket</td> </tr> <tr> <td>PM</td> <td>IME Model 175PM Mounting Bracket</td> </tr> <tr> <td>NR</td> <td>IME Model 175NR Mounting Bracket</td> </tr> <tr> <td>MM</td> <td>IME Model 175MM Mounting Bracket</td> </tr> </tbody> </table>	Code	Accessories	RC	IME Model 175RC Mounting Bracket	PM	IME Model 175PM Mounting Bracket	NR	IME Model 175NR Mounting Bracket	MM	IME Model 175MM Mounting Bracket																																									
Code	Accessories																																																			
RC	IME Model 175RC Mounting Bracket																																																			
PM	IME Model 175PM Mounting Bracket																																																			
NR	IME Model 175NR Mounting Bracket																																																			
MM	IME Model 175MM Mounting Bracket																																																			
	<table border="1"> <thead> <tr> <th>Code</th> <th>2 Inch "U" Bolt with Nuts and Washers</th> </tr> </thead> <tbody> <tr> <td>00</td> <td>None</td> </tr> <tr> <td>01</td> <td>IME Model 17508, 1 Set (For IME Model 175RC)</td> </tr> <tr> <td>02</td> <td>IME Model 17508, 2 Sets (For IME Model 175PM &amp; 175NR)</td> </tr> </tbody> </table>	Code	2 Inch "U" Bolt with Nuts and Washers	00	None	01	IME Model 17508, 1 Set (For IME Model 175RC)	02	IME Model 17508, 2 Sets (For IME Model 175PM & 175NR)																																											
Code	2 Inch "U" Bolt with Nuts and Washers																																																			
00	None																																																			
01	IME Model 17508, 1 Set (For IME Model 175RC)																																																			
02	IME Model 17508, 2 Sets (For IME Model 175PM & 175NR)																																																			

8080PR1	A	02	E1	PM	02	← Typical Model Number
---------	---	----	----	----	----	------------------------

Note:

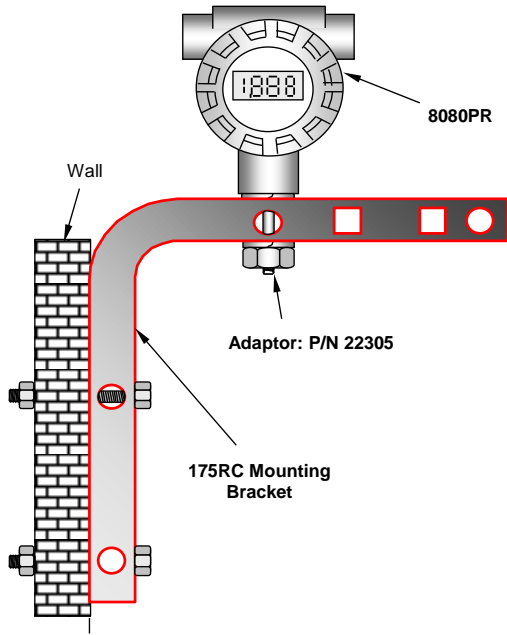
- 1 Ports with M16 x 2P thread are not through holes, they are for Mounting only.
- 2 ½" BSP & M20 x 1.5P Threads are not Certified by CSA



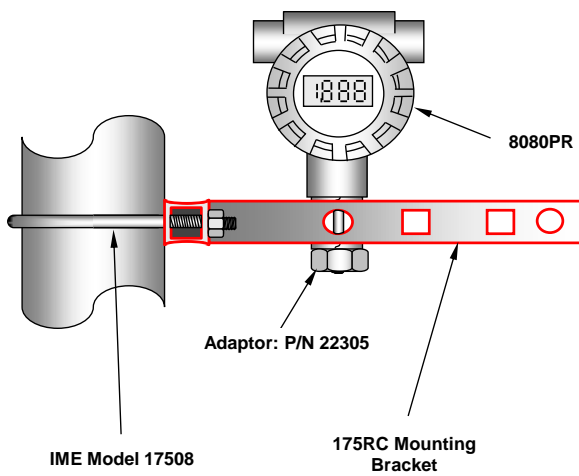
MODEL 175RC MOUNTING BRACKET

IME MODEL 175RC

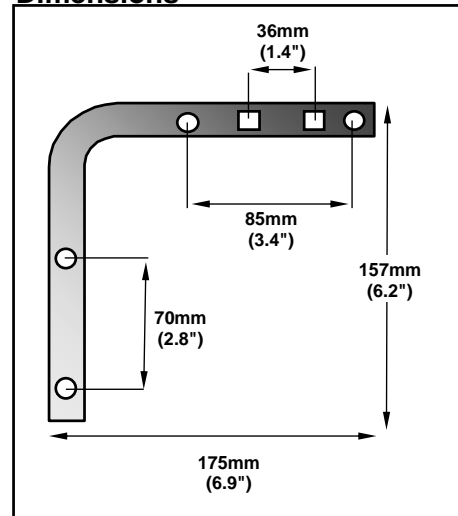
PANEL / WALL MOUNTING CONFIGURATION  
9 mm or 5/16 bolts for mounting bracket to wall or panel  
(Not Supplied)  
Adaptor P/N: 22305 (Optional)



2" PIPE MOUNTING CONFIGURATION  
2 Inch "U" Bolt with Nuts and Washers (Optional)  
Adaptor P/N: 22305 (Optional)



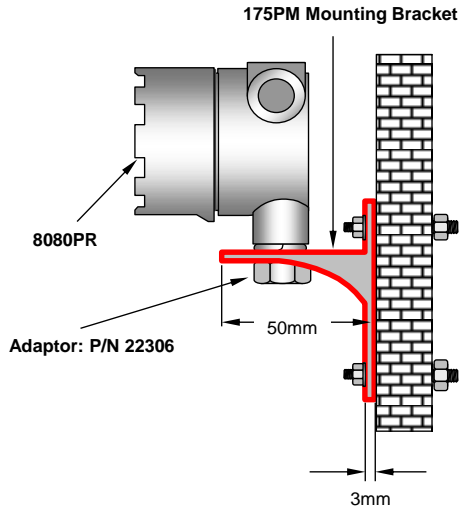
Dimensions



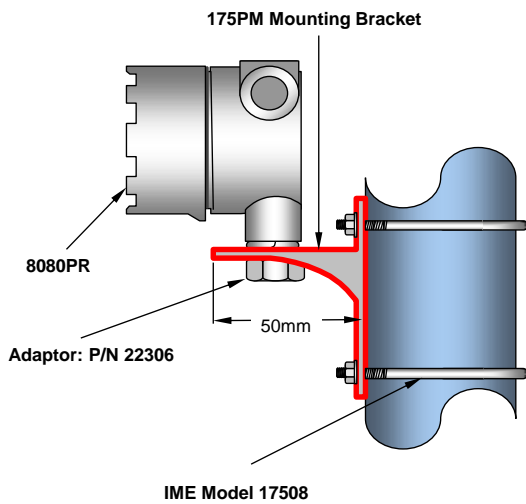
MODEL 175PM MOUNTING BRACKET

IME MODEL 175PM

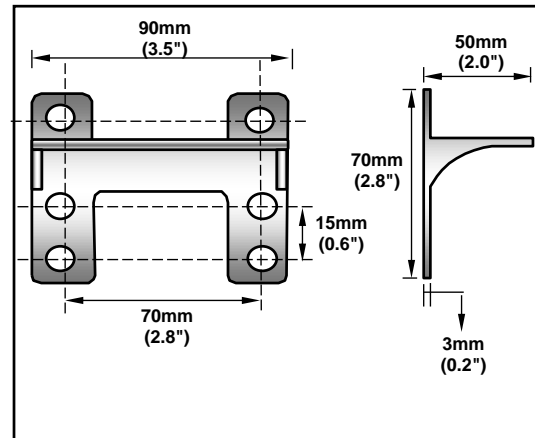
PANEL / WALL MOUNTING CONFIGURATION  
 9 mm or 5/16 bolts for mounting bracket to wall or panel  
 (Not Supplied)  
 Adaptor P/N: 22306 (Optional)



2" PIPE MOUNTING CONFIGURATION  
 2 Inch "U" Bolt with Nuts and Washers (Optional)  
 Adaptor P/N: 22306 (Optional)



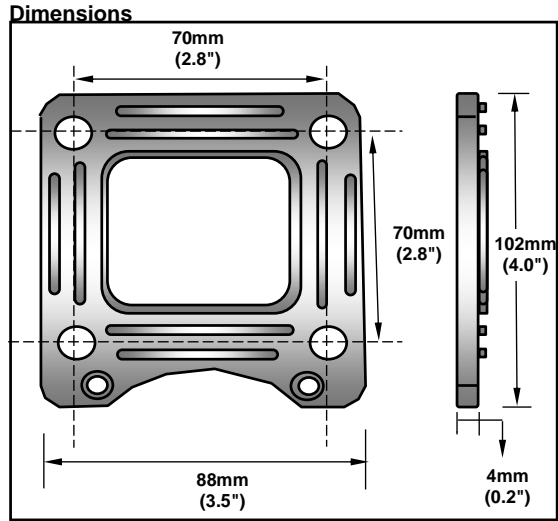
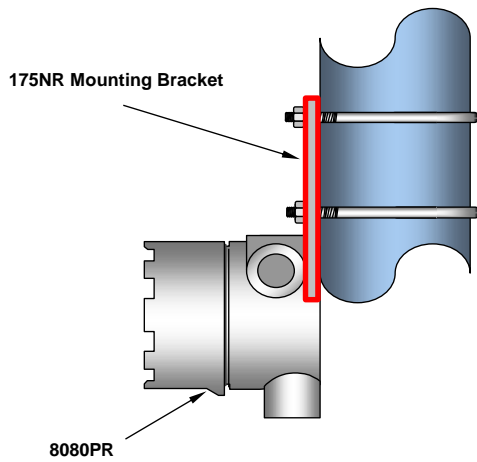
Dimensions



MODEL 175NR AND 175MM MOUNTING BRACKET

IME MODEL 175NR

2" PIPE MOUNTING CONFIGURATION  
2 Inch "U" Bolt with Nuts and Washers



IME MODEL 175MM

PANEL / WALL MOUNTING CONFIGURATION  
9 mm or 5/16 bolts for mounting bracket to wall or panel  
(Not Supplied)

