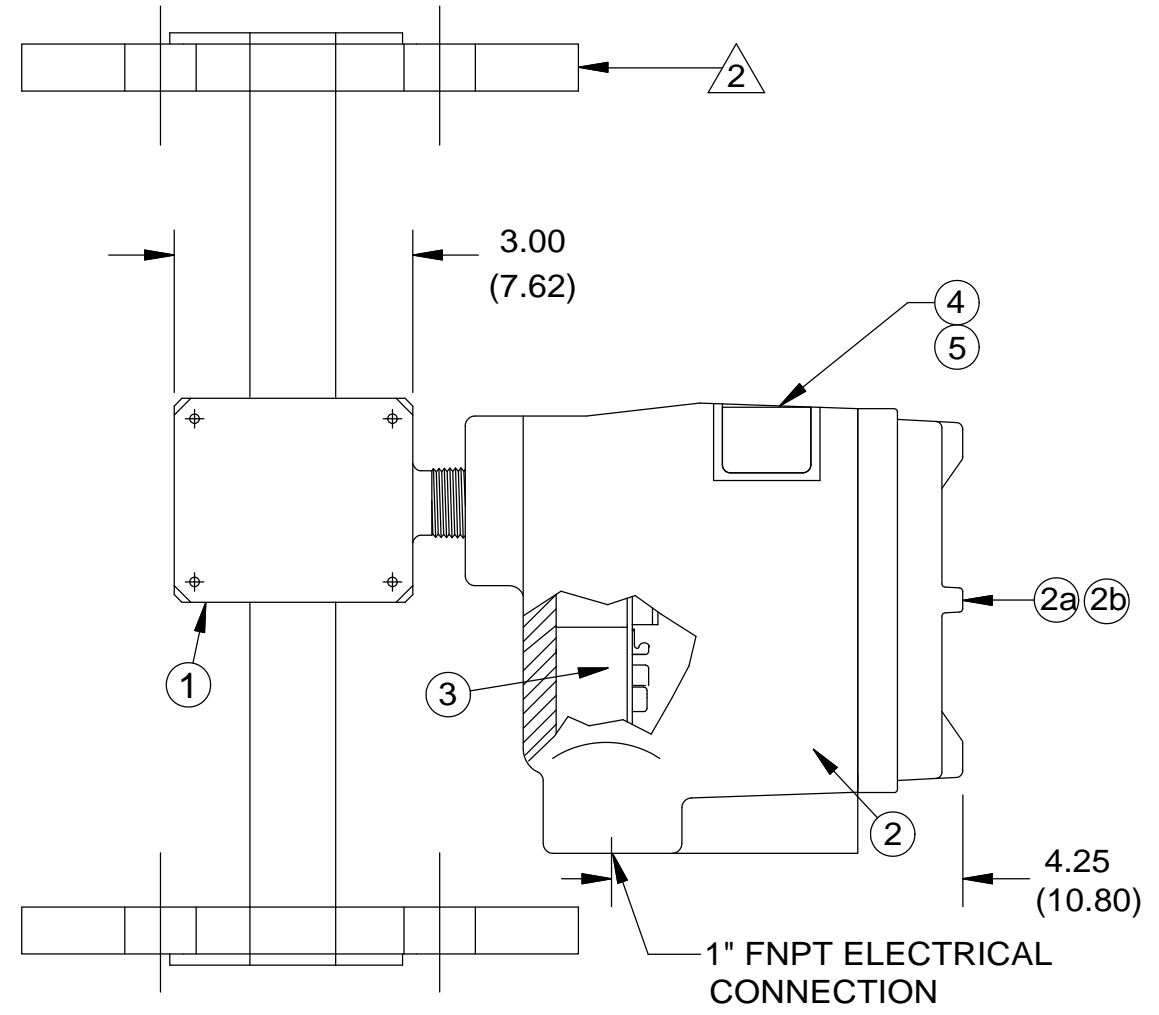
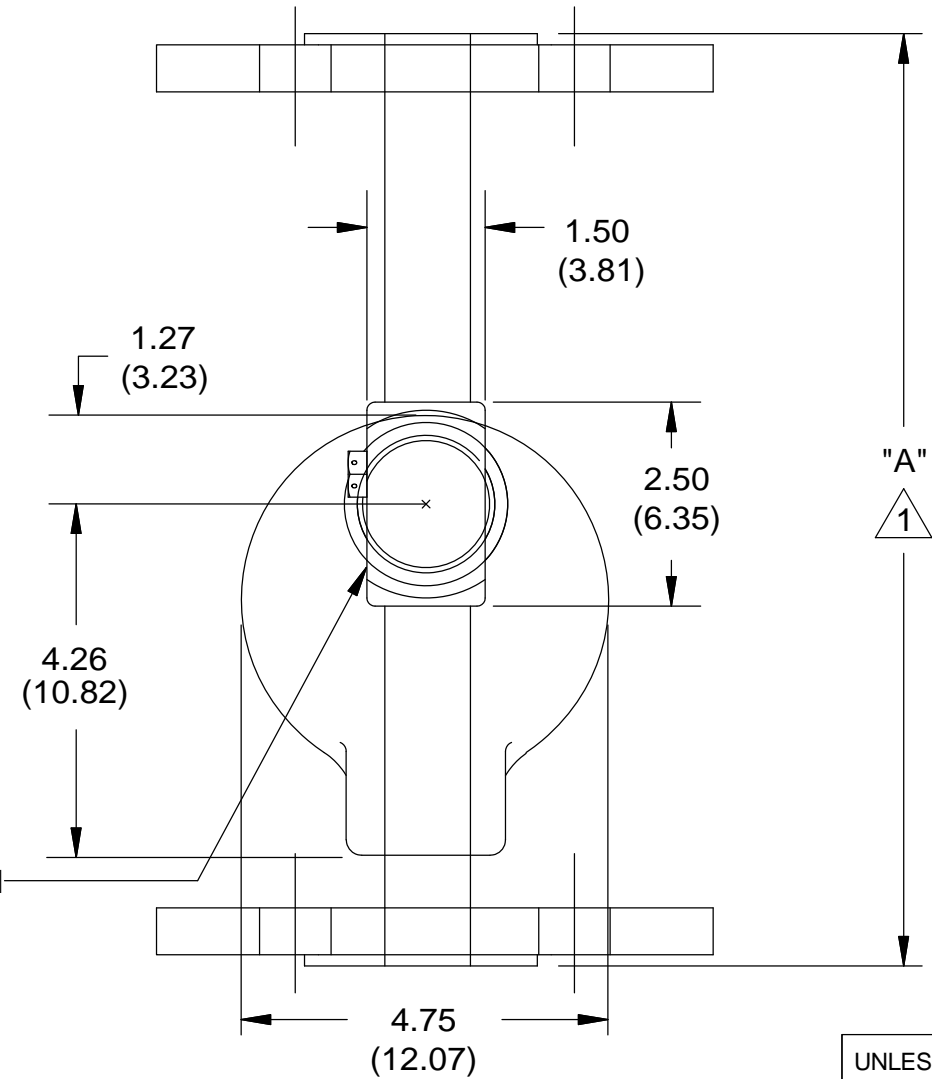


REVISIONS				
ZONE	REV.	DESCRIPTION	DATE	APPROVED
All	0	Initial Release	16June02	Chidley
	1	Edited text	25Jan11	
	2	Changed footer note, added confidential note, modified title, title box and rev table.	04Jun13	TDH



FLOW DIRECTION INDICATOR

1" FNPT ELECTRICAL CONNECTION

**NOTES:**

- ① Customer Specified
- ② Flange Center Line bisects bolt hole for all flange sizes.

UNLESS OTHERWISE SPECIFIED:		NAME	DATE
DIMENSIONS ARE IN INCHES	DRAWN	MW	15MAY13
TOLERANCES: ANGULAR: 0.5°	CHECKED	EC	23MAY13
ONE PLACE DECIMAL ±0.1	ENG APPR.	TDH	04JUN13
TWO PLACE DECIMAL ±0.02			
THREE PLACE DECIMAL ±0.007			
INTERPRET GEOMETRIC TOLERANCING PER:	COMMENTS:		
MATERIAL			
FINISH			
DO NOT SCALE DRAWING			



TITLE:  
**CLASSIC 832 Series**  
Flanged InLine  
Vertical with Bleed Port  
Local Electronics


SIZE	DWG. NO.	REV
<b>B</b>	D15-832-RA3D-0035AV-LE	2

BOM			
ITEM	DESCRIPTION	PART NUMBER	QTY
*1	Sensor, InLine, Flanged	Custom	1
2	Flameproof Enclosure (1" x 1" FNPT) c/w Terminal Assembly	N10-100A-E	1
2a	<input checked="" type="checkbox"/> Glass Lens Cover - Flameproof	M10-1G00	1
2b	<input type="checkbox"/> Blind Cover - Flameproof	M10-1B00	1
3	CLASSIC Electronics Module (12-24 VDC, 115-230 VAC)	L10-800-C-E	1
4	Nameplate, Foil	2400-0002	1
5	Nameplate, Overlay	2401-0001	1

**\*1. Flanged Sensor Assembly Selection Guide:**

The CLASSIC - Flanged Series are built to our customer's specific requirements. Please specify the following.

- 1) 'U' length
- 2) Flange size & material
- 3) Sensor material
- 4) No injection tube; 1/8" I.D. injection tube, or 1/4" I.D. injection tube

UNLESS OTHERWISE SPECIFIED:		NAME	DATE		
DIMENSIONS ARE IN INCHES		DRAWN	MW		13MAY13
TOLERANCES: ANGULAR: 0.5° ONE PLACE DECIMAL ±0.1 TWO PLACE DECIMAL ±0.02 THREE PLACE DECIMAL ±0.007		CHECKED	EC		23MAY13
INTERPRET GEOMETRIC TOLERANCING PER:		ENG APPR.	TDH		04JUN13
MATERIAL		COMMENTS:		<b>Parts List - CLASSIC 832 Series</b> Flanged InLine Vertical with Bleed Port Local Electronics	
FINISH		SIZE	DWG. NO.		REV
DO NOT SCALE DRAWING		<b>B</b>	D15-832-RA3D-0035AV-LE		<b>2</b>
KAYDEN INSTRUMENTS		SCALE: NTS	WEIGHT:	SHEET 2 OF 2	