

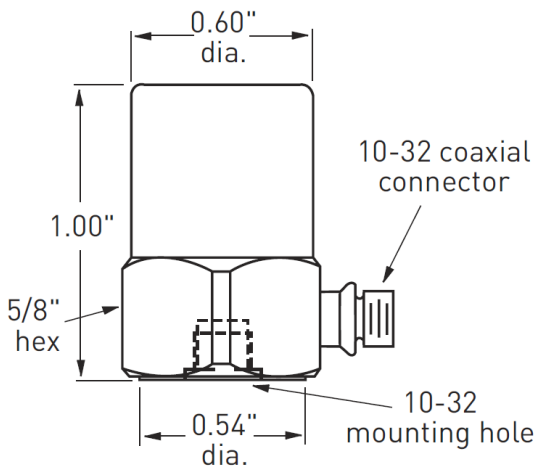
High sensitivity, low noise accelerometers

728A and 728T

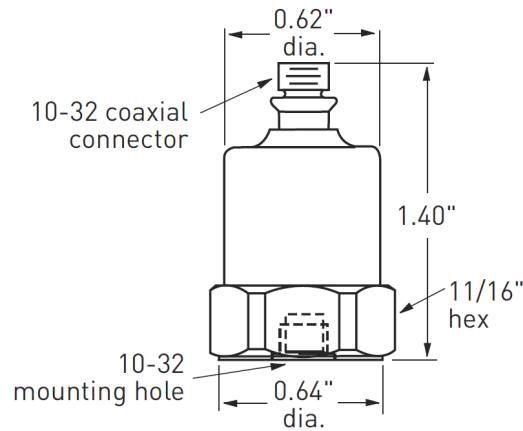


Key features

- Wide frequency range
- Low noise floor
- Hermetically sealed
- Temperature compensated
- Wide dynamic range
- Small size, lightweight
- Miswiring protection



Model 728A



Model 728T

Note: Due to continuous process improvement, specifications are subject to change without notice.
This document is cleared for public release.

Wilcoxon Sensing Technologies
20511 Seneca Meadows Parkway
Germantown, MD 20876
info@wilcoxon.com

Tel: (301) 330 8811
Fax: (301) 330 8873
www.wilcoxon.com

Wilcoxon Sensing Technologies
An Amphenol Company

High sensitivity, low noise accelerometers

728A and 728T

SPECIFICATIONS

| | |
|---|---------------------------------|
| Sensitivity, $\pm 5\%$, 25° C | 500 mV/g |
| Acceleration range | 15 g peak |
| Amplitude nonlinearity | 1% |
| Frequency response: | |
| $\pm 5\%$ | 3 - 5,000 Hz |
| ± 3 dB | 1 - 10,000 Hz |
| Resonance frequency, mounted, nominal | 24 kHz |
| Transverse sensitivity, max | 7% of axial |
| Temperature response: | |
| -50° C | -10% |
| +120° C | -5% |
| Power requirement: | |
| Voltage source | 18 - 30 VDC |
| Current regulating diode | 2 - 10 mA |
| Electrical noise, equiv g, nominal: | |
| Broadband 2.5 Hz to 25 kHz | 30 μ g |
| Spectral 10 Hz | 5.0 μ g/ $\sqrt{\text{Hz}}$ |
| 100 Hz | 0.4 μ g/ $\sqrt{\text{Hz}}$ |
| 1,000 Hz | 0.1 μ g/ $\sqrt{\text{Hz}}$ |
| Output impedance, max | 100 Ω |
| Bias output voltage, nominal | 10 VDC |
| Grounding: | |
| 728A | case grounded |
| 728T | base isolated |
| Temperature range | -50 to +120° C |
| Vibration limit | 250 g peak |
| Shock limit | 2,500 g peak |
| Electromagnetic sensitivity at 60 Hz | 20 μ g/gauss |
| Base strain sensitivity | 0.002 g/ μ strain |
| Weight | 44 grams |
| Case material | stainless steel |
| Mounting | 10-32 tapped hole |
| Output connector | 10-32 coaxial |
| Mating connector | R1 |
| Recommended cabling | J93 |

Contact

Wilcoxon Sensing Technologies

20511 Seneca Meadows Parkway
Germantown MD 20876, USA

Tel: +1 301 330 8811
Fax: +1 301 330 8873

info@wilcoxon.com

www.wilcoxon.com

Accessories supplied:

- Calibration data (level 3)
- SF1 mounting stud

Accessories available: R1-

2-J93-10 cable assembly, magnetic mounting bases, SF5 cementing studs, SF4 isolation mounting base, signal conditioners

Note: Due to continuous process improvement, specifications are subject to change without notice.
This document is cleared for public release.

Wilcoxon Sensing Technologies
20511 Seneca Meadows Parkway
Germantown, MD 20876
info@wilcoxon.com

Tel: (301) 330 8811
Fax: (301) 330 8873
www.wilcoxon.com

Wilcoxon Sensing Technologies
An Amphenol Company