



L1219B

Universal Explosion-proof LED Lighting



Net Weight: 9.5 kg (20.9 lb)



LED Tower



Protection

- Ex d IIB + H₂ T5 Gb
- Ex tb IIIC T135°C Db

Standards

CNS 3376-0
CNS 3376-1
IEC60079-31

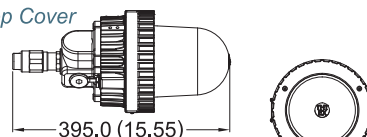
Light Features

- 360° illumination angle
- Applicable to high temperature environment
- Ideal for replacing traditional HPS Lighting

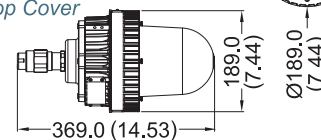
Technical Data

Rated Voltage (±10%)	110V / 220V AC				
Watts (±10%)	50W / 60W / 70W / 80W				
Amps	50W 110V: 0.45A, 220V: 0.23A / 60W 110V: 0.55A, 220V: 0.23A 70W 110V: 0.64A, 220V: 0.32A / 80W 110V: 0.73A, 220V: 0.36A				
Color of LED Light	3000K (Warm White) / 5000K (Cool White)				
Ambient Temperature	-20°C ~ +40°C, T5				
Power Factor	cos ≥ 0.9				
CRI	Cool White ≥ 70 / Warm White ≥ 80				
Lumen (±10%)	COB	50W	60W	70W	80W
	3000K	4500 lm	5400 lm	6300 lm	7200 lm
	5000K	5000 lm	6000 lm	7000 lm	8000 lm
Beam Angle	X-110° / Y-110°				
Frequency	50 / 60 Hz				
Degree of Protection	IP68 / NEMA 6P				
Material	<ul style="list-style-type: none"> • Enclosure: Aluminum alloy • Glass: Tempered glass 				
LED Service Life	60,000 hrs				
Entrance Thread	G 3/4" × 4 (Tall top cover) G 3/4" × 1 (Short top cover)				

Tall Top Cover



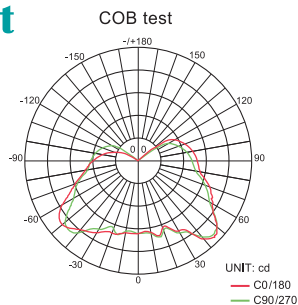
Short Top Cover



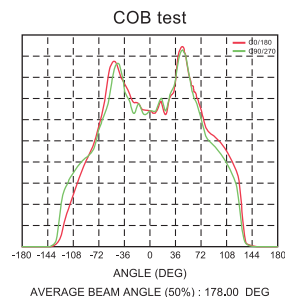
Dimension in Millimeters (inches)

Optical Report

Polar Luminous Intensity Distribution



Luminous Intensity Distribution Diagram



Model Code

THT	2L	A	20W	d	5	2	C	1219	C90
Brand, THT=TOP HI-TECH CO., LTD.	Category of product, 2L=LED lightings use DCOB LED module	Current of LED module, A=AC	Wattage, 50W=50W, 60W=60W, 70W=70W, 80W=80W	Protection type of product, d=d type	Temperature class of product, 5=T5 (100°C)	Voltage, 1=110V, 2=220V	C.C.T., C=Cool White, W=Warm White	Model Name, 1219=Model L1219	Mounting bracket type W25/90=Wall Mount 25°/90° H25/90=Hanging Mount 25°/90° S25/90=Stanchion 25°/90° P30=Pendant C90=Ceiling

Mounting Option & Dimensions (All in mm)

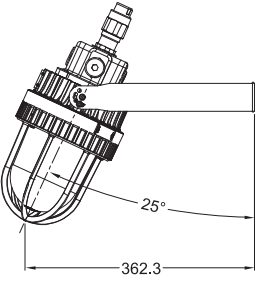
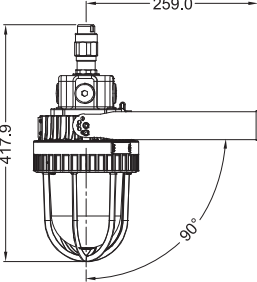
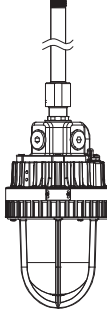
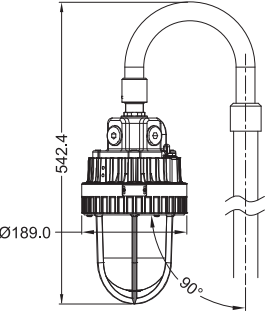
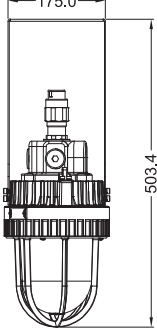
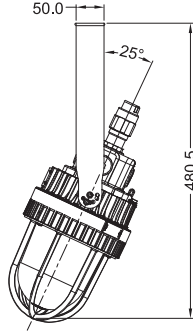
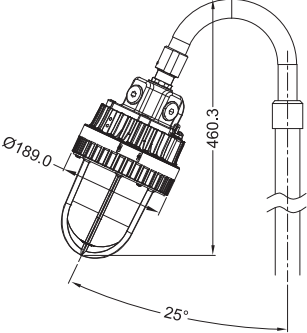
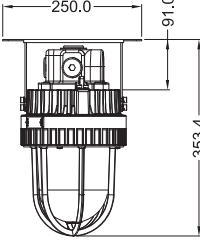
Tall Top Cover (Standard Product)

<p>Wall Mount 25° (W25)</p> <p>10.0 kg (22.0 lb)</p>	<p>Wall Mount 90° (W90)</p> <p>10.0 kg (22.0 lb)</p>	<p>Pendant (P30)</p> <p>10.0 kg (22.0 lb)</p>
<p>Hanging Mount 25° (H25)</p> <p>10.0 kg (22.0 lb)</p>	<p>Hanging Mount 90° (H90)</p> <p>10.0 kg (22.0 lb)</p>	<p>Stanchion 90° (S90)</p> <p>10.6 kg (23.4 lb)</p>
<p>Ceiling (C90)</p> <p>10.3 kg (22.7 lb)</p>		<p>Stanchion 25° (S25)</p> <p>10.5 kg (23.1 lb)</p>

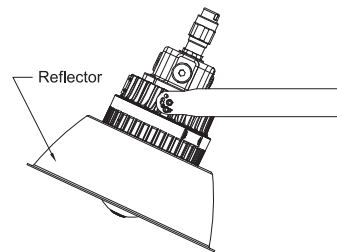
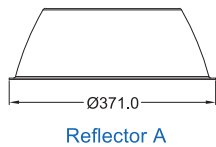
L1219B

Mounting Option & Dimensions (All in mm)

Tall Top Cover (With Accessory "Guard")

<p>Wall Mount 25° (W25G)</p>  <p>10.2 kg (22.4 lb)</p>	<p>Wall Mount 90° (W90G)</p>  <p>10.2 kg (22.4 lb)</p>	<p>Pendant (P30G)</p>  <p>10.2 kg (22.4 lb)</p>
<p>Stanchion 90° (S90G)</p>  <p>10.8 kg (23.8 lb)</p>	<p>Hanging Mount 90° (H90G)</p>  <p>10.2 kg (22.4 lb)</p>	<p>Hanging Mount 25° (H25G)</p>  <p>10.2 kg (22.4 lb)</p>
<p>Stanchion 25° (S25G)</p>  <p>10.7 kg (23.6 lb)</p>		<p>Ceiling (C90G)</p>  <p>10.5 kg (23.1 lb)</p>

Optional Accessory

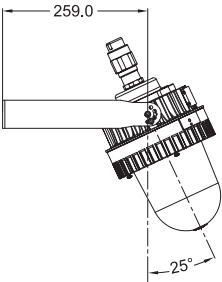
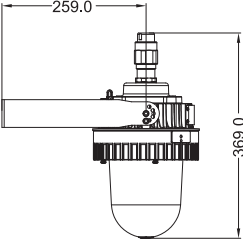
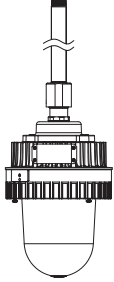
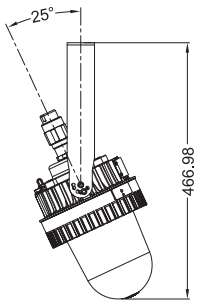
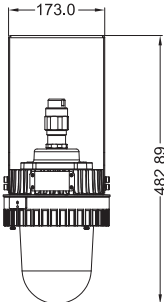
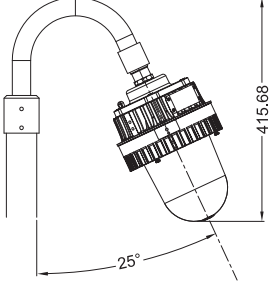


Applicable Area

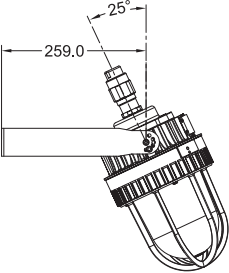
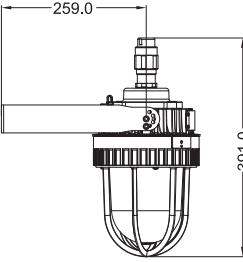
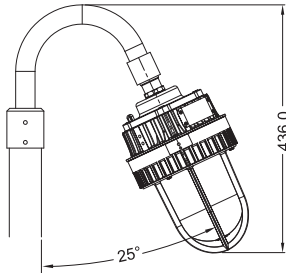
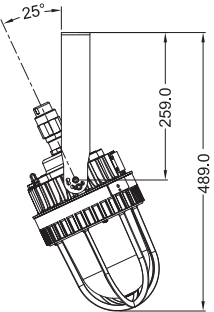
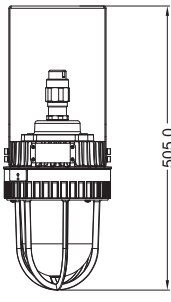
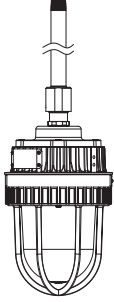
- Oil Refinery Complex
- Petrochemical Complex
- Painting Facility
- Transporting Nature Gas
- Transporting Liquefied Petroleum Gas
- Offshore Platform (Oil and Natural Gas)

Mounting Option & Dimensions (All in mm)

Short Top Cover (Standard Product)

<p>Wall Mount 25° (W25)</p>  <p>9.4 kg (20.7 lb)</p>	<p>Wall Mount 90° (W90)</p>  <p>9.4 kg (20.7 lb)</p>	<p>Pendant (P30)</p>  <p>9.4 kg (20.7 lb)</p>
<p>Hanging Mount 25° (H25)</p>  <p>9.4 kg (20.7 lb)</p>	<p>Hanging Mount 90° (H90)</p>  <p>9.4 kg (20.7 lb)</p>	<p>Stanchion 25° (S25)</p>  <p>10.3 kg (22.7 lb)</p>

Short Top Cover (With Accessory "Guard")

<p>Wall Mount 25° (W25G)</p>  <p>9.6 kg (21.1 lb)</p>	<p>Wall Mount 90° (W90G)</p>  <p>9.6 kg (21.1 lb)</p>	<p>Stanchion 25° (S25G)</p>  <p>10.5 kg (23.1 lb)</p>
<p>Hanging Mount 25° (H25G)</p>  <p>9.6 kg (21.1 lb)</p>	<p>Hanging Mount 90° (H90G)</p>  <p>9.6 kg (21.1 lb)</p>	<p>Pendant (P30G)</p>  <p>9.6 kg (21.1 lb)</p>