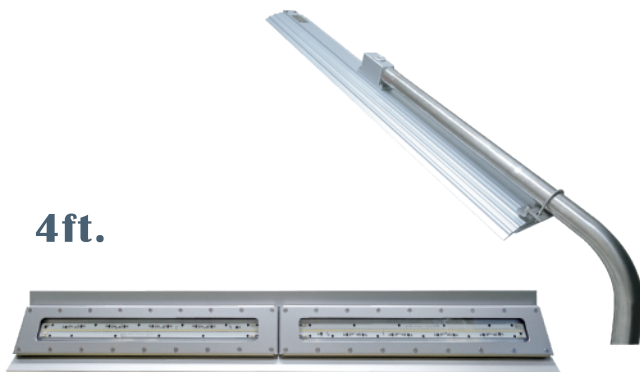


L1319C

Luminaires
For Use In Hazardous Locations



4ft.

Net Weight: 13.3 kg (29.3 lb)



Protection

- Class I, Division 2, Group A, B, C, D
- Class II, Division 2, Groups F and G
- Class III

Standards

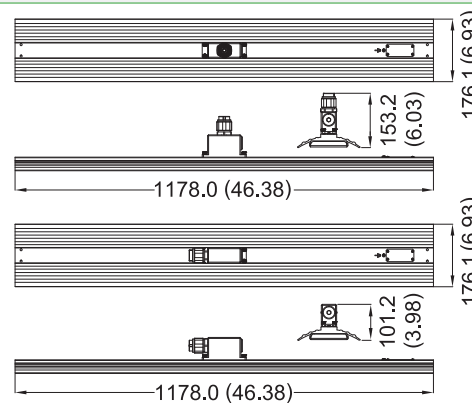
- UL 844
- UL 1598 Luminaires
- UL 8750
- CSA C22.2 No. 137-18
- CSA C22.2 No. 250.0
- CSA C22.2 No. 250.13

Light Features

- Light weight; stream line design
- Applicable to high temperature environment
- Product comes with reflector and concentrate light source

Technical Data

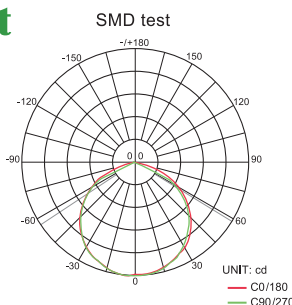
Rated Voltage (±10%)	120V / 277V / 347V (80W only) / 480V (80W only) AC			
Watts (±10%)	40W / 80W / 120W			
Amps	40W 120V: 0.33A, 277V: 0.14A / 80W 120V: 0.67A, 277V: 0.29A, 347V: 0.23A, 480V: 0.17A / 120W 120V: 1.00A, 277V: 0.43A			
Color of LED Light	3000K (Warm White) / 5000K (Cool White)			
Ambient Temperature	CID2: -40°C ~ +55°C, T4 / CIID2: +55°C, T4A			
Power Factor	cos ≥ 0.9, cos ≥ 0.87 (480V)			
CRI	Cool White ≥ 70 / Warm White ≥ 80			
Lumen (±10%)	SMD	40W	80W	120W
	3000K	4315lm	8614lm	12960lm
	5000K	4833lm	9414lm	14180lm
Beam Angle	x-116° / Y-114°			
Frequency	50 / 60 Hz			
Degree of Protection	IP68 / NEMA 6P			
Material	• Enclosure • Glass	Aluminum alloy Tempered glass		
LED Service Life	60,000 hrs			
Entrance Thread	3 × M25			



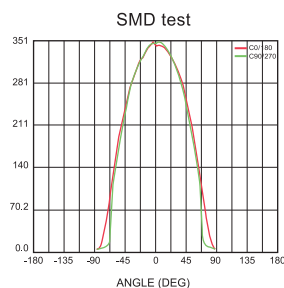
Dimension in Millimeters (inches)

Optical Report

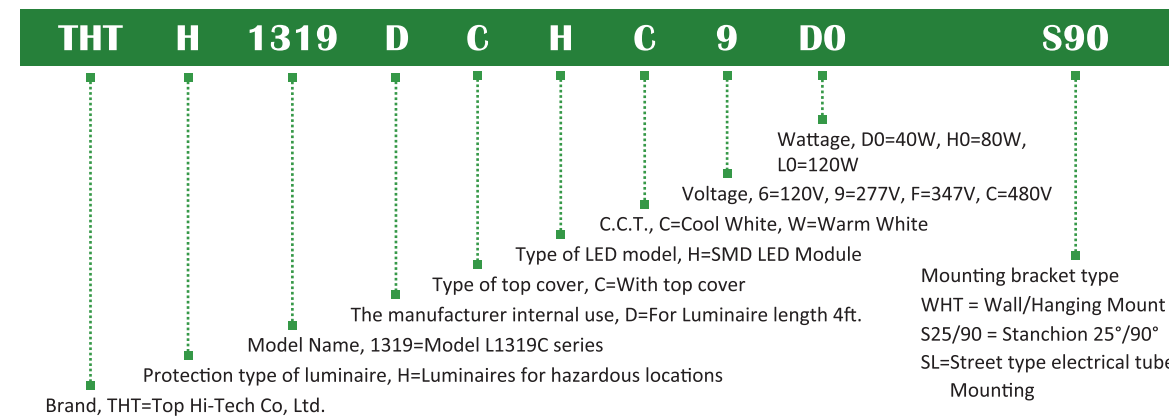
Polar Luminous Intensity Distribution



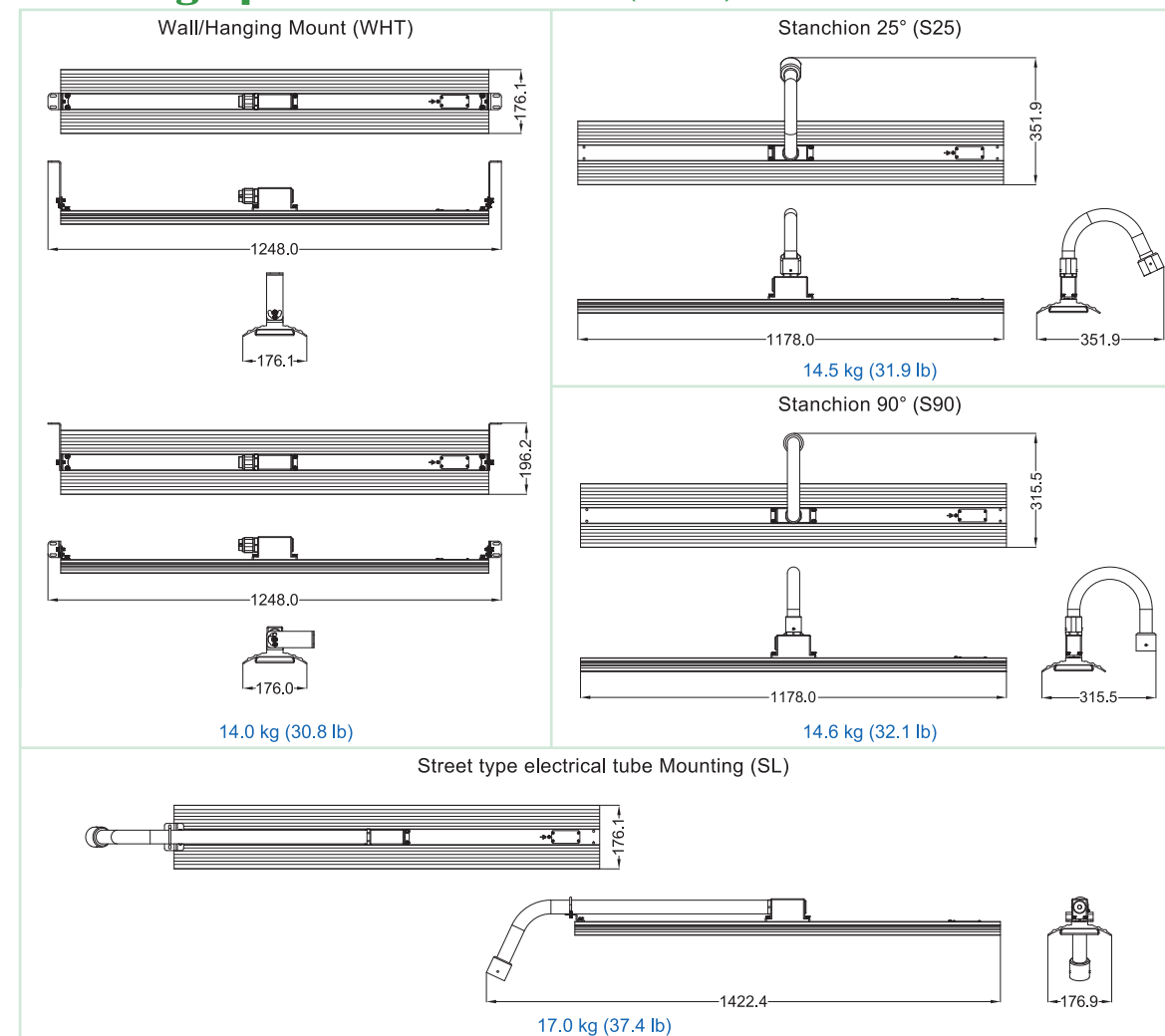
Luminous Intensity Distribution Diagram



Model Code



Mounting Option & Dimensions (All in mm)



Applicable Area

- Oil Refinery Complex
- Painting Facility
- Transporting Liquefied
- Offshore Platform
- Petrochemical Complex
- Transporting Nature Gas
- Petroleum Gas
- (Oil and Natural Gas)