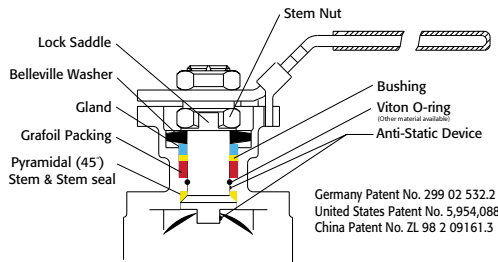


**API 607 - 4th Edition
CERTIFIED**



Triac FD9-F6 600# Ball Valves feature a high quality investment cast body and end. They are available in 1/2" through 2" in 316SS and WCB. Superior leak protection is accomplished by using our patented "pyramidal" stem seal system shown in the graphic below. This advanced system protects against wear and leakage experienced by other ordinary ball valves.



VALVE SIZE	VALVE CV
1/2"	28
3/4"	50
1"	95
1-1/2"	260
2"	485

Reinforced CTFE seats are standard, but various options are available for seat materials. The 50/50 seat option is excellent for services that call for higher temperatures and more difficult applications, including steam. Call us for details.

Easy to Automate!

See automated data sheets for pre-sized assemblies



Electric

Pneumatic



Series FD9-F6

600# Direct Mount Split Body Flanged Ball Valve

Firesafe

Sizes 1/2" – 2"

Direct Actuator Mount

600# ANSI Flange

Full Port Design

Available in 316SS or WCB

316SS Ball and Stem

**Pyramidal Stem Packing
System**

Blowout-proof Stem

Anti-static Device

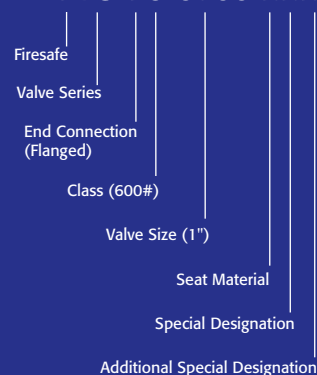
ISO5211 Mounting

Locking Handle Standard

Each Valve Traceable**

HOW TO ORDER MANUAL VALVES SAMPLE PART

FD9-F6-0100-XXX



See part number matrix for itemized options



Triac Division
11363 Deerfield Rd.
Cincinnati, Ohio 45242

**MTRs available - call for details

PHONE (513) 247-5465
FAX (513) 247-5462
e-mail: sales@a-tcontrols.com
www.a-tcontrols.com

SERIES FD9-F6 600# Direct Mount Split Body Flanged Ball Valve

Firesafe

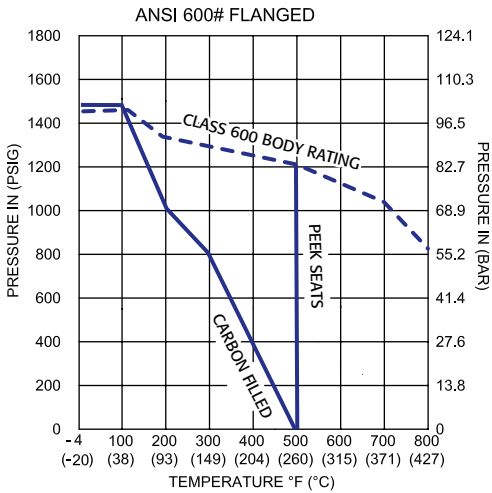
Series FD9/F6

High Performance, Full Port 600# Split Body Ball Valve Series FD9/F6 (ANSI Class 600)

API 607 - 4th Edition
CERTIFIED

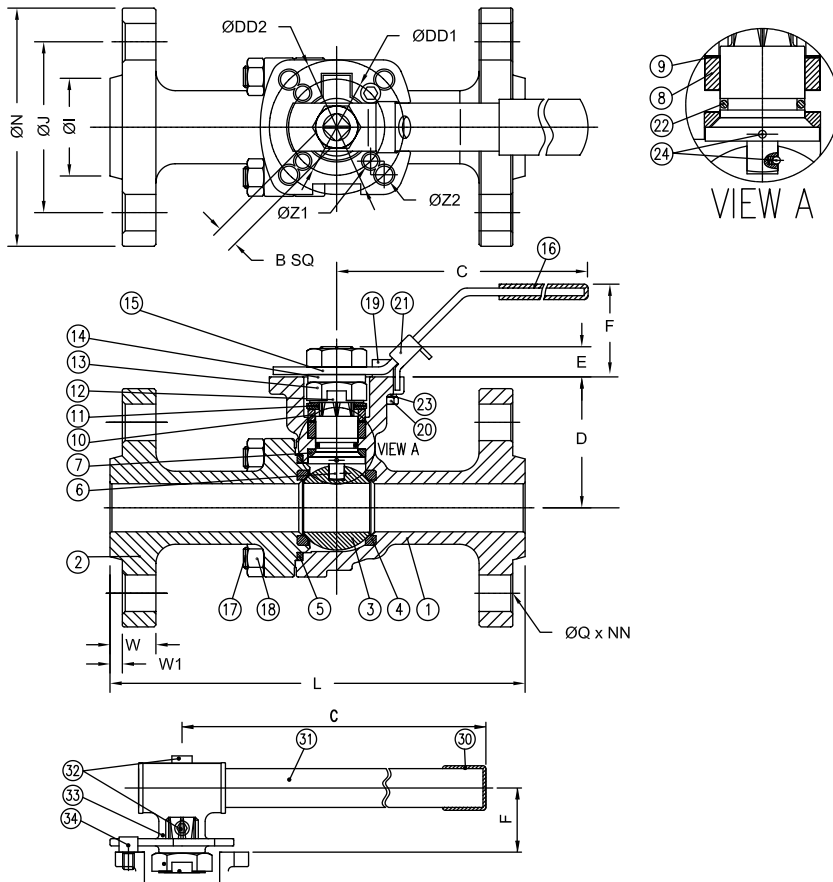
"Firesafe"

Pressure vs. Temperature Chart



VALVE OPERATING TORQUE	
1/2"	150
3/4"	200
1"	260
1-1/2"	525
2"	610

NOTE: CTFE seats
Consult factory when
using other seat material



MATERIALS LIST

NO.	PART NAME	QTY.	MATERIAL	
			Stainless Steel	Carbon Steel
1	Body	1	CF8M	WCB
2	End Cap	1	CF8M	WCB
3	Ball	1	SS316	SS316
4	Seat	2	CTFE	CTFE
5	Joint Gasket	1	\$	\$
6	Stem	1	SS316	SS316
7	Stem Seal	1	RTFE	RTFE
8	Gland Packing	1	Graphite	Graphite
9	Gland Packing	1	%	%
10	Gland Bush	1	SS304	SS304
11	Belleville Washer	2	SS301	SS301
12	Stop Washer	1	SS304	SS304
13	Stem Nut	2	SS304	SS304
14	Stem Washer	1	SS304	SS304
15	Handle	1	SS304	SS304
16	Handle Sleeve	1	Vinyl	Vinyl
17	Bolt	*	SS304	SS304
18	Bolt Nut	*	SS304	SS304
19	Stop Pin	1	SS304	SS304
20	Pin Nut	1	SS304	SS304
21	Locking Device	1	SS304	SS304
22	O-Ring	1	Viton®	Viton®
23	Washer	1	SS304	SS304
24	Antistatic Device	2	SS304	SS304
30	Handle Sleeve	1	Vinyl	Vinyl
31	Handle B	1	SS304	SS304
32	Handle Screw	2	SS304	SS304
33	Handle A	1	SS304	SS304
34	Stop Pin	1	SS304	SS304

* For 1/2" - 1-1/2", 4 pieces of bolts and bolt nuts

* For 2", 6 pieces of bolts and bolt nuts

\$ Spiral wound SS316 with graphite

% 25% glass fiber filled + PTFE

DIMENSIONS (IN)

SIZE	A	B	C	D	E	F	I	J	L	N	Q	W	W1	Z1	Z2	DD1	DD2	NN	ISO
1/2"	0.59	0.433	8.39	1.92	0.39	1.89	1.38	2.63	6.50	3.75	0.63	0.81	0.25	0.26	0.28	1.654	1.969	4	F04/F05
3/4"	0.79	0.433	8.39	2.50	0.41	1.89	1.69	3.25	7.50	4.63	0.75	0.87	0.25	0.26	0.28	1.654	1.969	4	F04/F05
1"	0.98	0.551	10.37	2.68	0.51	1.93	2.00	3.50	8.50	4.88	0.75	0.94	0.25	0.30	0.35	1.969	2.756	4	F05/F07
1-1/2"	1.50	0.748	12.32	3.51	0.75	1.74	2.88	4.50	9.50	6.13	0.88	1.13	0.25	0.39	0.47	2.756	4.016	4	F07/F10
2"	1.97	0.748	12.32	4.33	0.75	1.74	3.63	5.00	11.50	6.50	0.75	1.25	0.25	0.39	0.47	2.756	4.016	8	F07/F10

Viton® is a registered trademark of E.I. DuPont de Nemours.

A-T Controls reserves the right to change product designs and technical/dimensional specifications without notice.

050111-FD9F6M

A-T Controls, Inc.

Triac Division
11363 Deerfield Rd.
Cincinnati, Ohio 45242

PHONE (513) 247-5465
FAX (513) 247-5462
e-mail: sales@a-tcontrols.com
www.a-tcontrols.com