



# L1102

Luminaires  
For Use In Hazardous Locations



100W  
(COB)

95W  
(SMD)

**CID1**  
Group  
B, C, D

**CIID1**  
Group  
E, F, G

**IP67**

**NEMA**  
6

### Protection

- Class I, Division 1  
Group B, C, D
- Class II, Division 1  
Group E, F, G
- Class III

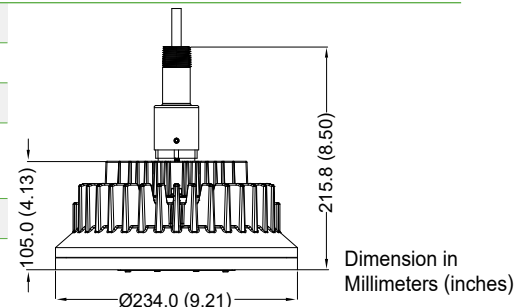
### Standards

- UL 844
- UL 1598 Luminaires
- UL 8750
- CSA C22.2 No. 137-M1981
- CSA C22.2 No. 250.0

Net Weight: 5.5 kg (12.1 lb)

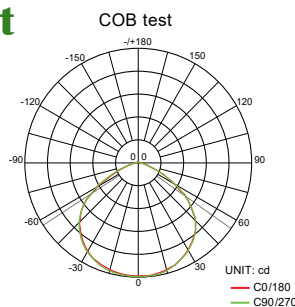
## Technical Data

Rated Voltage (±10%)	COB: 120V / 208V / 277V / 347V / 480V AC , SMD: 120V / 277V AC							
Watts (±10%)	COB: 60W / 80W / 100W, SMD: 65W / 75W / 95W							
Amps	60W 120V: 0.50A, 208V: 0.29A, 277V: 0.22A, 347V: 0.17A, 480V: 0.13A / 80W 120V: 0.67A, 208V: 0.38A, 277V: 0.29A, 347V: 0.23A, 480V: 0.17A / 100W 120V: 0.83A, 208V: 0.48A, 277V: 0.36A, 347V: 0.29A, 480V: 0.21A / 65W 120V: 0.54A, 277V: 0.23A / 75W 120V: 0.63A, 277V: 0.27A / 95W 120V: 0.79A, 277V: 0.34A							
Color of LED Light	3000K (Warm White) / 5000K (Cool White)							
Ambient Temperature	CID1: -40°C ~ +40°C, T5 / CIID1: +40°C, T5							
Power Factor	cos ≥ 0.9, cos ≥ 0.87(480V)							
CRI	Cool White ≥ 70 / Warm White ≥ 80							
Lumen (±10%)	COB	60W	80W	100W	SMD	65W	75W	95W
	3000K	5700lm	7600lm	9000lm	3000K	6175lm	7215lm	8550lm
	5000K	6000lm	8000lm	10000lm	5000K	6500lm	7500lm	9500lm
Beam Angle	X-110° / Y-110°							
Frequency	50 / 60 Hz							
Degree of Protection	IP67 / NEMA 6							
Material	<ul style="list-style-type: none"> <li>• Enclosure: Aluminum alloy</li> <li>• Glass: Tempered glass</li> </ul>							
LED Service Life	60,000 hrs							
Entrance Thread	1 × NPT 3/4"							

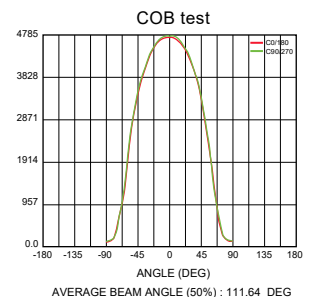


## Optical Report

Polar Luminous  
Intensity Distribution



Luminous  
Intensity Distribution Diagram



## Model Code

<b>THT</b>	<b>-</b>	<b>2L</b>	<b>A</b>	<b>100</b>	<b>Z</b>	<b>5</b>	<b>9</b>	<b>C</b>	<b>1102</b>	<b>W90</b>
		①		②			③	④		⑤

① **Type of LED Model**

2L=COB LED module  
2K=SMD LED module

② **Wattage**

60W=60W, 80W=80W  
100=100W, 65W=65W  
75W=75W, 95W=95W

③ **Voltage**

6=120V  
7=208V  
9=277V  
F=347V  
C=480V

④ **C.C.T.**

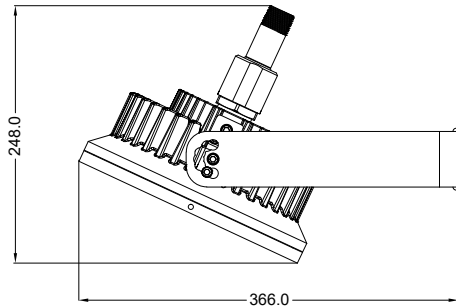
C=Cool White  
W=Warm White

⑤ **Mounting Bracket Type**

W25/90=Wall mount 25°/90°  
H25/90=Pendant 25°/90°

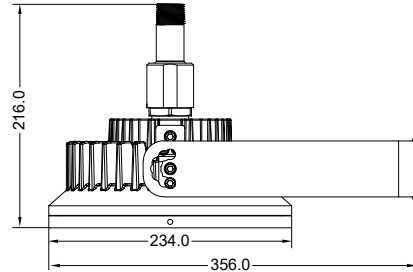
## Mounting Option & Dimensions (All in mm)

Wall Mount 25° (W25)



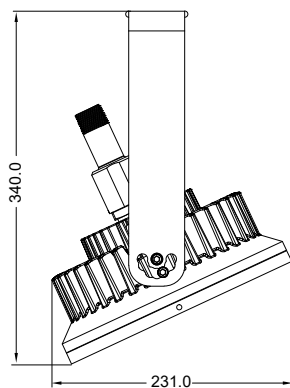
6.2 kg (13.7 lb)

Wall Mount 90° (W90)



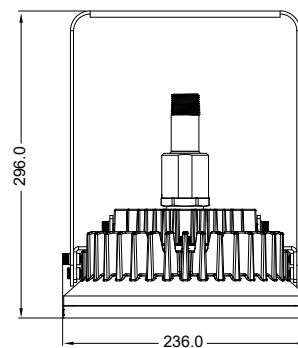
6.2 kg (13.7 lb)

Pendant mounting 25° (H25)



6.2 kg (13.7 lb)

Pendant mounting 90° (H90)



6.2 kg (13.7 lb)

### Applicable Area

- Oil Refinery Complex
- Painting Facility
- Transporting Liquefied
- Offshore Platform
- Petrochemical Complex
- Transporting Nature Gas
- Petroleum Gas
- (Oil and Natural Gas)