

HazLoc LED LUMINAIRE

Installation and Maintenance Manual

HazLoc L1319C series

THT-EX

Top Hi-Tech Co., Ltd.
9F, No.1, Zhongshan Road, Tucheng
Dist. New Taipei City, 236, Taiwan

Website: www.tht-ex.com
TEL: +886 2 2267-1234
FAX: +886 2 2269-1166
e-mail: sales@tht-ex.com

Pub. Code: RD-UL-L1319C-A(CID2)
Subject to alterations
Revision Level: A5
Date: 2025-04-01

1. General Information

HazLoc L1319C LED Luminaires are suitable for use in the following hazardous (classified) areas as defined by the National Electrical Code (NEC) and Canadian Electrical Code (CEC):

- Class I, Division 2, Groups A, B, C, D
- Class II, Division 2, Groups F, G

Wet Locations (UL 1598)

Refer to the luminaire nameplate for specific classification information, maximum ambient temperature suitability and corresponding operating temperature (T-Code).

HazLoc L1319C LED Luminaire is designed for using in indoors and outdoors environment.

Ambient Temperature Range:

-40°C ~ +45°C / -40°C ~ +55°C / -40°C ~ +62°C / -40°C ~ +70°C / -40°C ~ +75°C / -40°C ~ +97°C /
-40°C ~ +104°C / -40°C ~ +108°C / -40°C ~ +100°C /

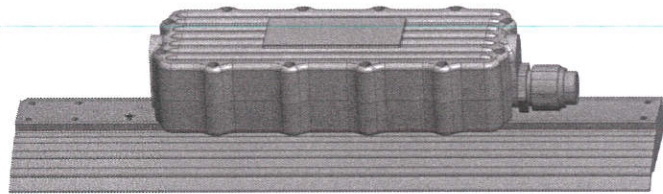
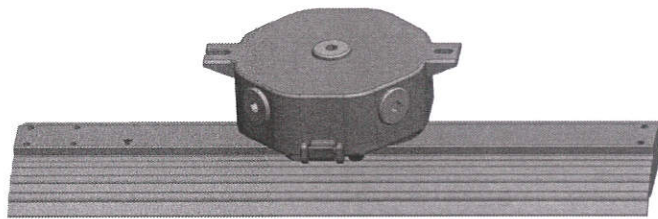
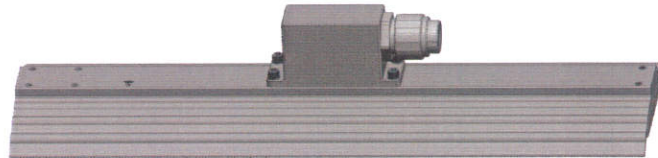
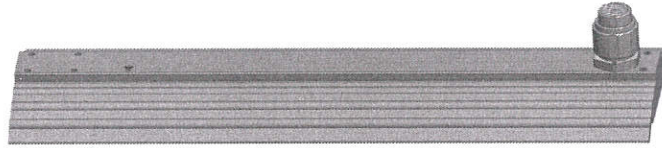


WARNING

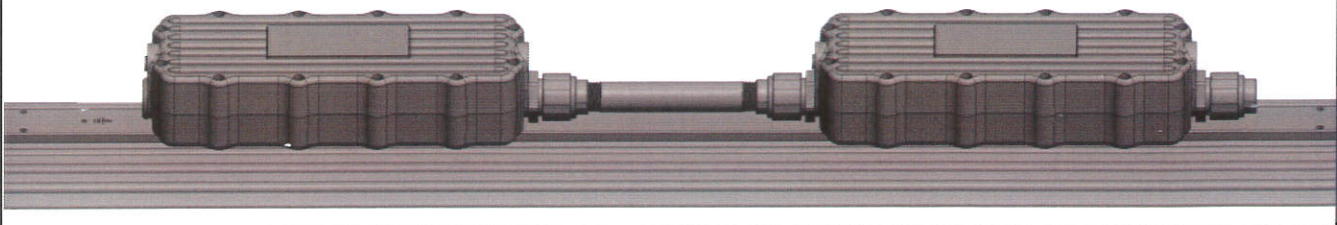
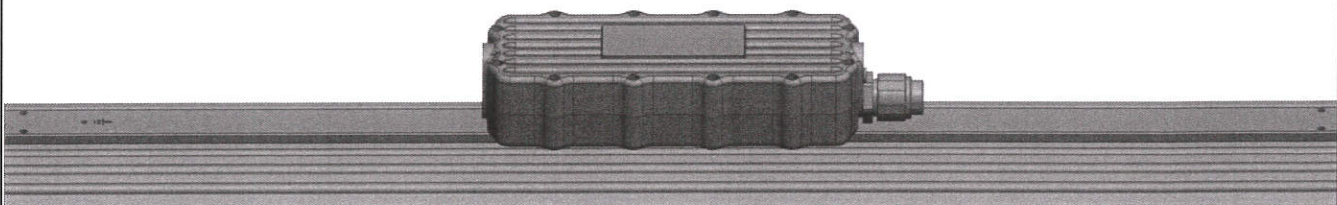
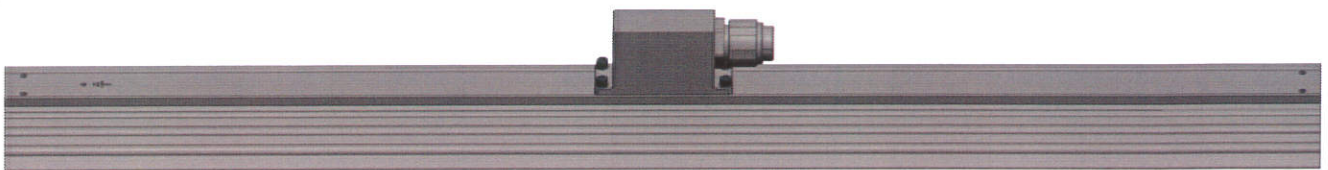


- **To avoid the risk of fire, explosion or electric shock, this product should be installed, inspected and maintained by a qualified electrician only, in accordance with all applicable codes and regulations.**
- **To avoid electric shock:**
 - ✓ **Be certain electrical power is OFF before and during installation and maintenance.**
 - ✓ **Luminaire must be supplied by a wiring system with an equipment grounding conductor.**
- **To avoid explosion:**
 - ✓ **Make sure that the supply voltage is the same as the luminaire voltage.**
 - ✓ **Do not install where the marked operating temperatures exceed the ignition temperature of the hazardous atmosphere.**
 - ✓ **Do not operate in ambient temperatures above those indicated on the luminaire nameplate.**
 - ✓ **All gasket seals must be clean and undamaged.**
 - ✓ **Use proper supply wiring as specified on the luminaire nameplate.**
 - ✓ **Before dismounting, electrical power to the luminaire must be turned off. Keep tightly closed when in operation.**
- **To avoid burning hands, ensure the luminaire is cool when performing maintenance.**
- **Backup System Lighting : When Customers should install and charge within one month after receiving the lighting fixtures.**
- **This equipment has two sources of supply, the area must be verified to be non-hazardous (unclassified) before disconnecting the battery supply during servicing.**

2 ft. Type



4 ft. Type



2. Technical Data

Item	Description
Rated Voltage	100/ 110/ 120/ 200/ 220/ 230/ 277/ 347/ 480 Vac / 125Vdc (Univoltage) 100-277 Vac (Full Voltage)
Watts (±10%)	20/ 30/ 35/ 40/ 45/ 50/ 55/ 60/ 70/ 80/ 90/ 100/ 120/ 140/ 150/ 160/ 180/ 200/ 210/ 240/ 300 Watts (Univoltage) 30/ 40/ 50/ 60/ 70/ 80/ 90/ 100/ 110/ 120/ 130/ 140/ 150/ 160/ 170/ 180/ 190/ 200/ 210/ 220/ 230/ 240/ 250/ 260/ 270/ 280/ 290/ 300 Watts (Full Voltage)
Class I, Div.2 Class II, Div. 2	Models THT; followed by H; followed by 1319; followed by C or D; followed by N or C; followed by H; followed by C or W; followed by 6, 9, C or F; followed by D0, F0, H0 or L0
Class I, Div.2	Models THT; followed by H; followed by 1319; followed by C or D; followed by N or C; followed by H or B; followed by C or W or R or G; followed by 1 or 2 or 4 or 5 or 6 or 9 or D or H or L; followed by C0, C5, D0, D5, E0, E5, F0, G0, H0, I0, J0, K0, L0, M0, N0, P0, Q0, R0, S0, T0, U0, V0, W0, X0, Y0, 25, 26, 27, 28, 29 or 30; followed by 01
Ambient Temperate Range	-40°C ~ +55°C
Class I, Div.2	Models THT; followed by H; followed by 1319; followed by C or D; followed by C; followed by B; followed by C or W or R or G; followed by 1 or 2 or 6 or 9 or D; followed by F6, M2; followed by 01
Ambient Temperate Range	-40°C ~ +70°C
Class I, Div.2	Models THT; followed by H; followed by 1319; followed by C or D; followed by C; followed by B; followed by C or W or R or G; followed by 1 or 2 or 6 or 9 or D; followed by D4, H8; followed by 01
Ambient Temperate Range	-40°C ~ +75°C
Class I, Div.2	Models THT; followed by H; followed by 1319; followed by C or D; followed by C; followed by B; followed by C or W; followed by 1 or 2 or 6 or 9 or D; followed by D0, F0, H0, J0, L0, Q0, U0, Y0; followed by 01
Ambient Temperate Range	-40°C ~ +62°C
Class I, Div.2	Models THT; followed by H; followed by 1319; followed by C; followed by C; followed by B; followed by C or W; followed by 1 or 2 or 6 or 9 or D; followed by D0; followed by 01
Ambient Temperate Range	-40°C ~ +104°C
Class I, Div.2	Models THT; followed by H; followed by 1319; followed by C; followed by C; followed by B; followed by C or W; followed by 1 or 2 or 6 or 9 or D; followed by F0; followed by 01
Ambient Temperate Range	-40°C ~ +97°C

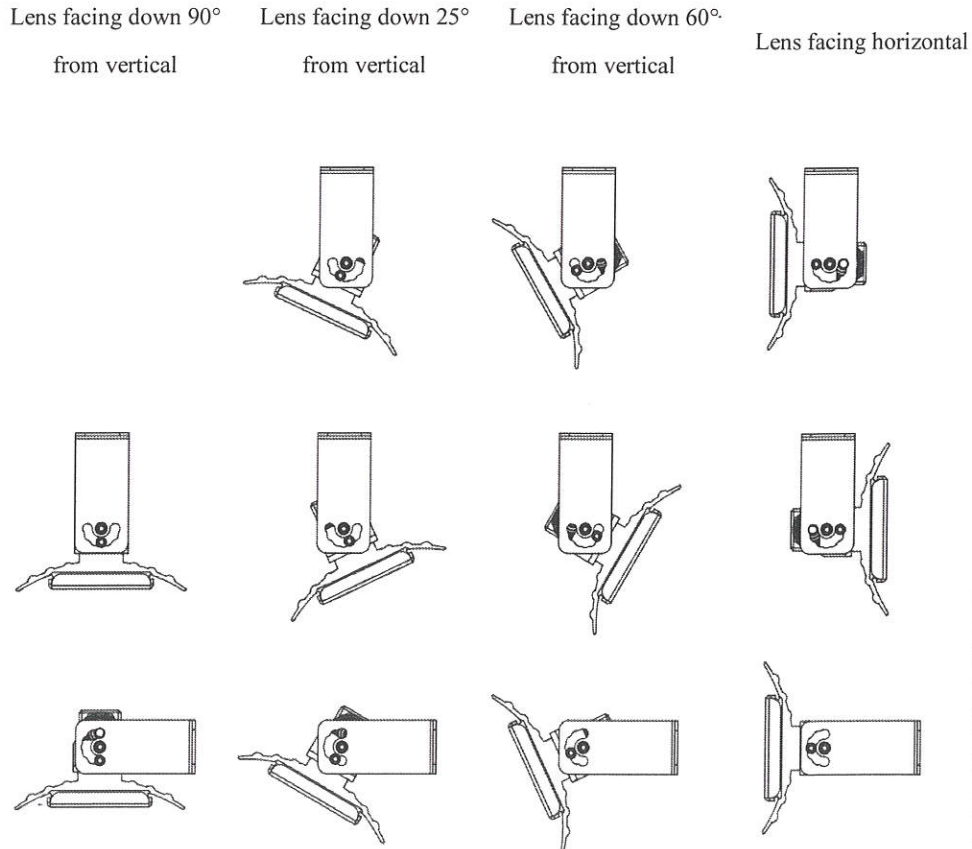


Class I, Div.2	Models THT; followed by H; followed by 1319; followed by D; followed by C; followed by B; followed by C or W; followed by 1 or 2 or 6 or 9 or D; followed by H0; followed by 01
Ambient Temperature Range	-40°C ~ +108°C
Class I, Div.2	Models THT; followed by H; followed by 1319; followed by D; followed by C; followed by B; followed by C or W; followed by 1 or 2 or 6 or 9 or D; followed by L0; followed by 01
Ambient Temperature Range	-40°C ~ +100°C
Frequency	50/60 Hz
Power Factor	cos > 0.9
Degree of protection	IP67
Material Enclosure Glass	Aluminum alloy Heat and impact resistant tempered Glass
LED Service Life	50,000 hrs.
Charging time	48 hr.
Runtime of Backup mode	120 minute

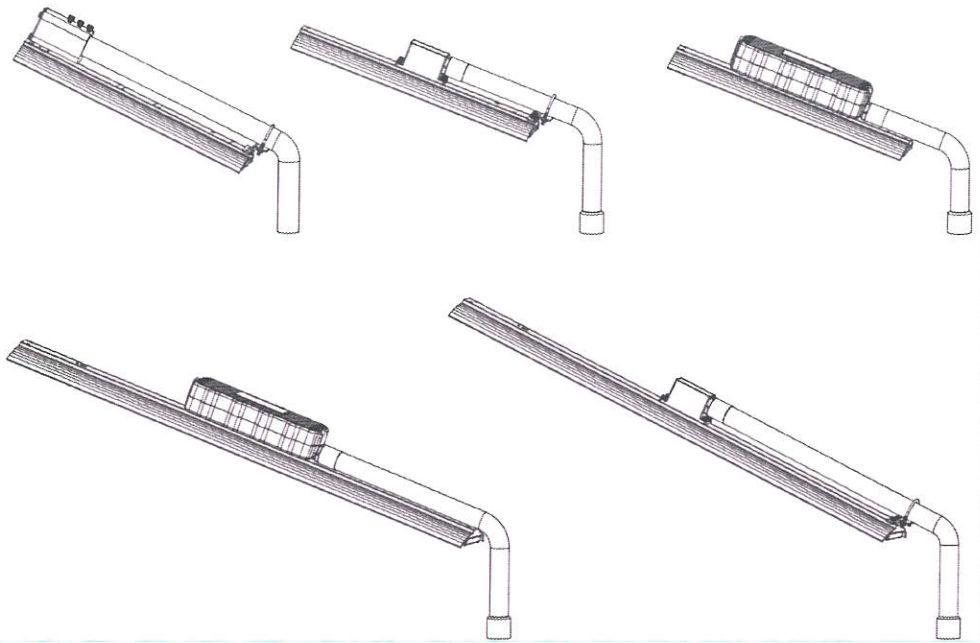


WHT Mounting

Mounting Type

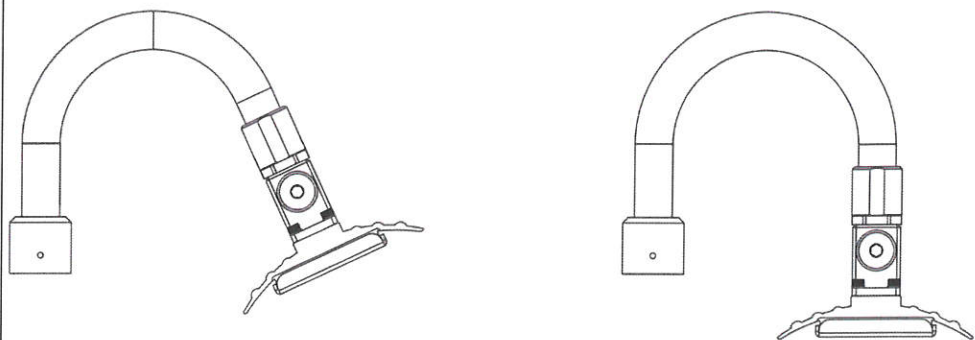


Street type electrical tube Mounting



Mounting Type

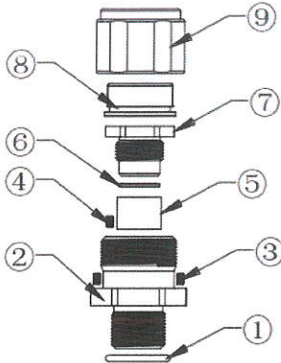
Stanchion type(25° & 90°)



3. Assembly and Installation

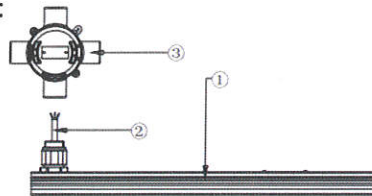
3.1 Electrical Connection

Overview of Connection Base :

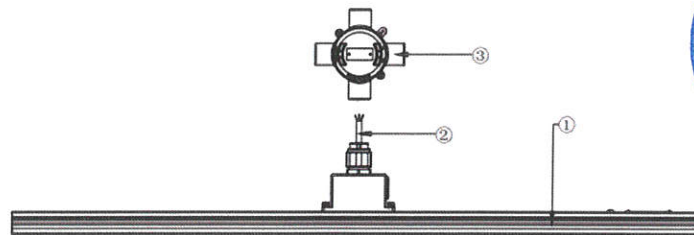
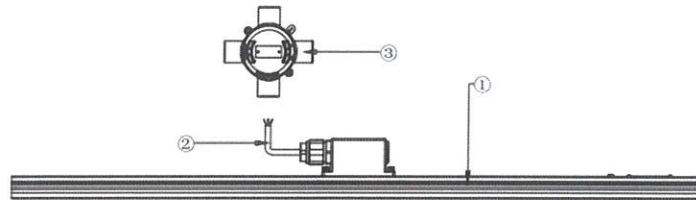


1. Nipple Body Gasket	4. M4 Socket Set Screws	7. Pressure Nut
2. Nipple Body	5. Tube	8. Connector
3. M4 Socket Set Screws	6. Washer	9. Sleeve

Overview of Electrical Connection :



1	L1319 Type Luminaire
2	Cord (Length: min 24 inches)
3	Junction Box (Provide by Customer)



1. For luminaire model with suffix "WHT": Insert the cord (2) through the conduit (not shown, provide in the field) into the Junction Box (3) (provide in the field).
2. For luminaire model with suffix "Street type electrical tube Mounting": Insert the cord (2) through the integral mounting bracket and then through the conduit (not shown, provide in the field) into the Junction Box (provide in the field).
3. Fix and Introduce the wires of luminary with the terminal post of Junction Box (White-wire connects to Neutral; Red-wire connects to Live; Green-wire connects to Ground.)

3.2 Mounting Bracket Installation

3.2.1 Two position Adjustable Trunnion (Wall & Ceiling) Mounting(WHT) - each position with one aiming angle(0 degree、25 degree、60 degree、90 degree) - Secured to wall/ceiling surface (The projection angle of the lamp can be adjusted according to the angle set by the bracket)

- ☞ The mount bracket is for surface mounting to wall (Figure 1) and ceiling (Figure 2).
- ☞ Position the bracket holders and secured by means of the provided M6 screws with 50 kgf-cm.
- ☞ Secure the wall/ceiling mounting bracket to the mounting surface by using four fasteners (not provided).

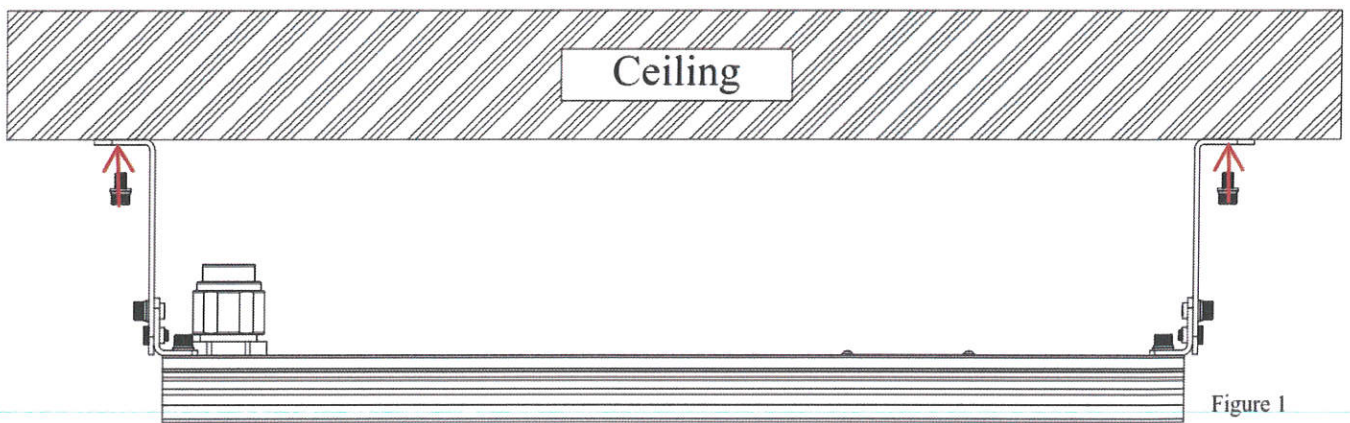
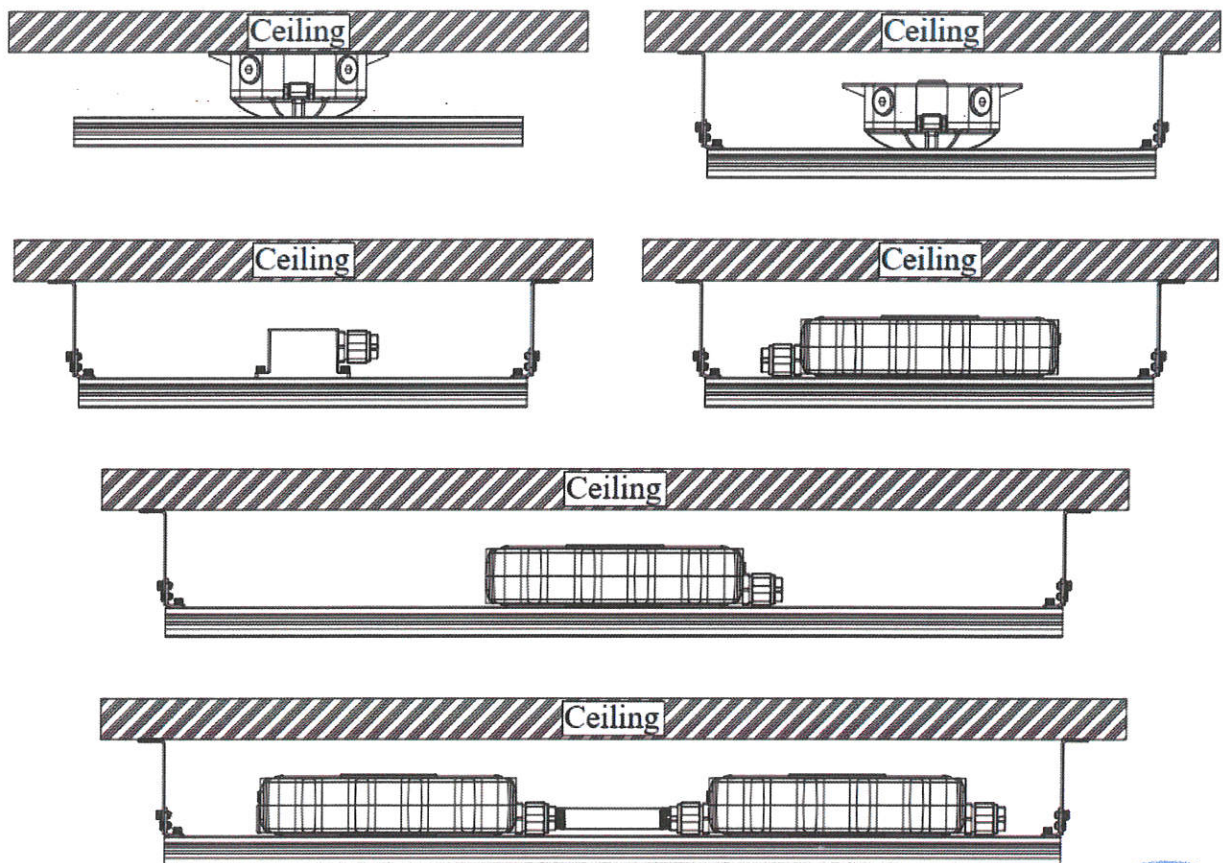


Figure 1



WALL

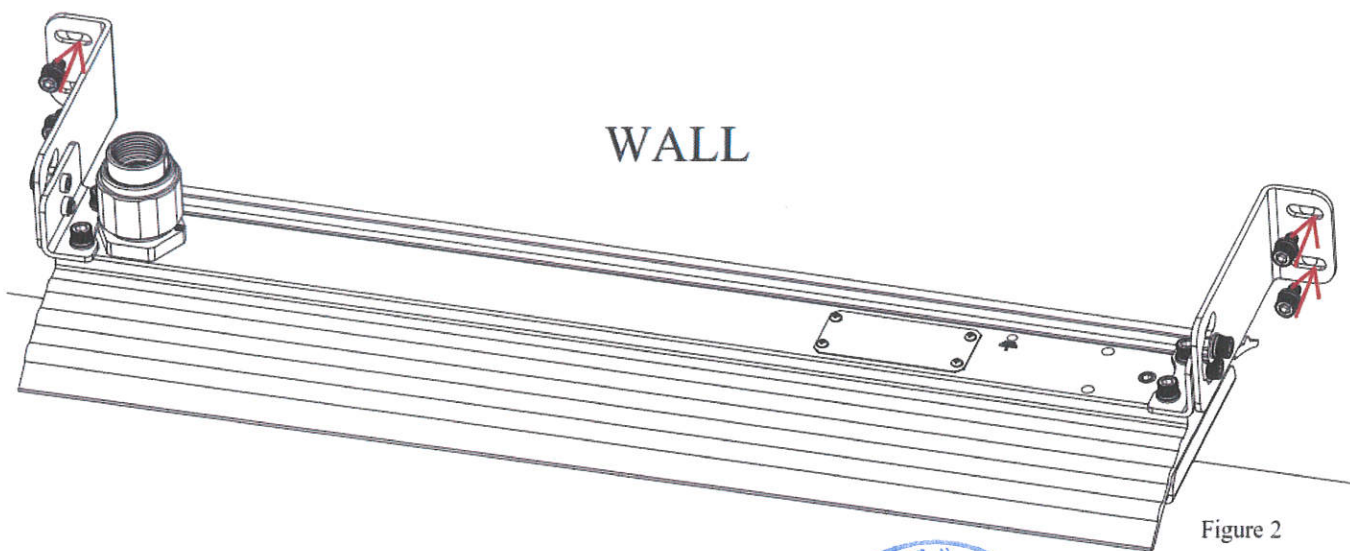
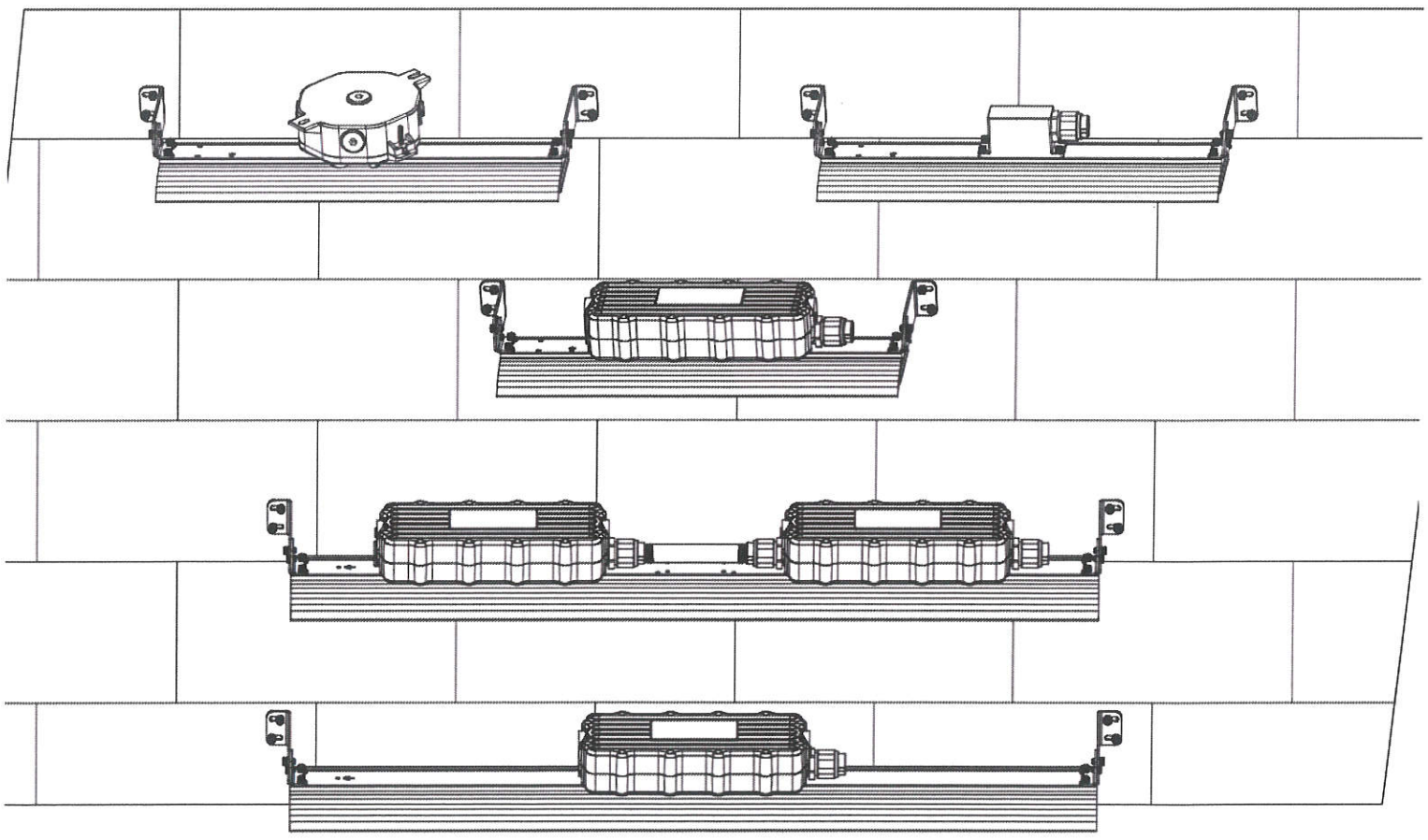
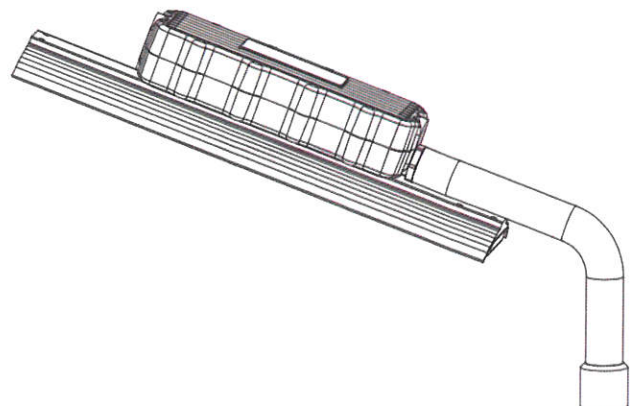
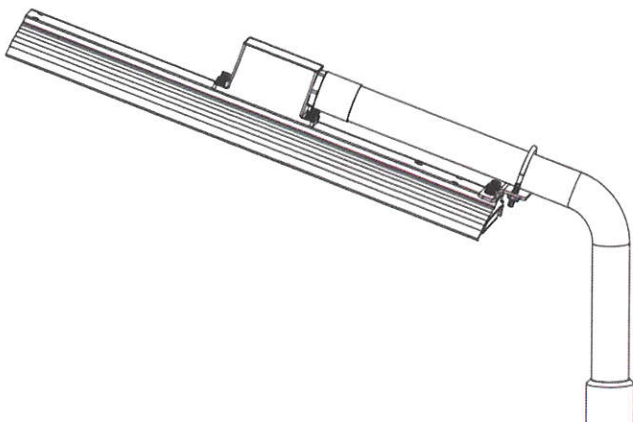
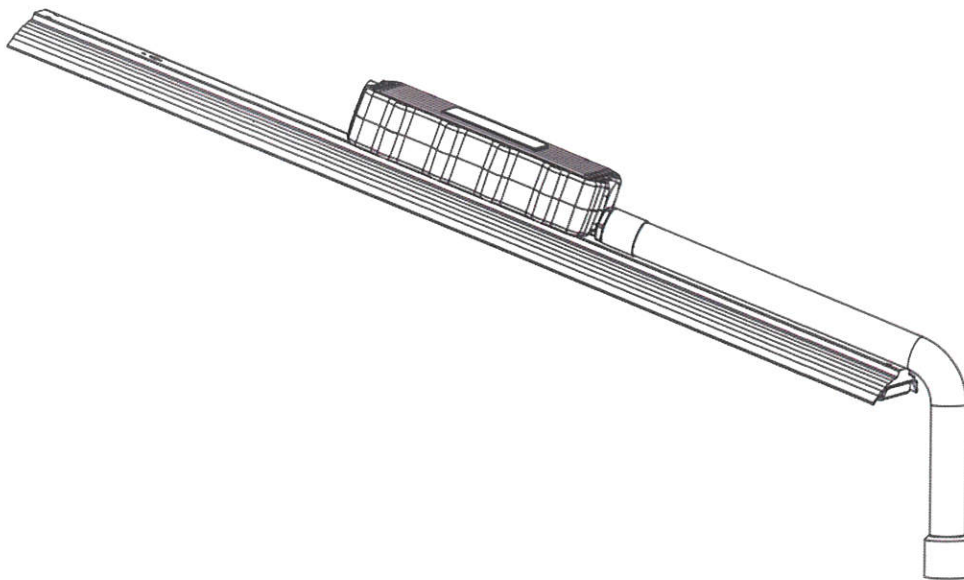
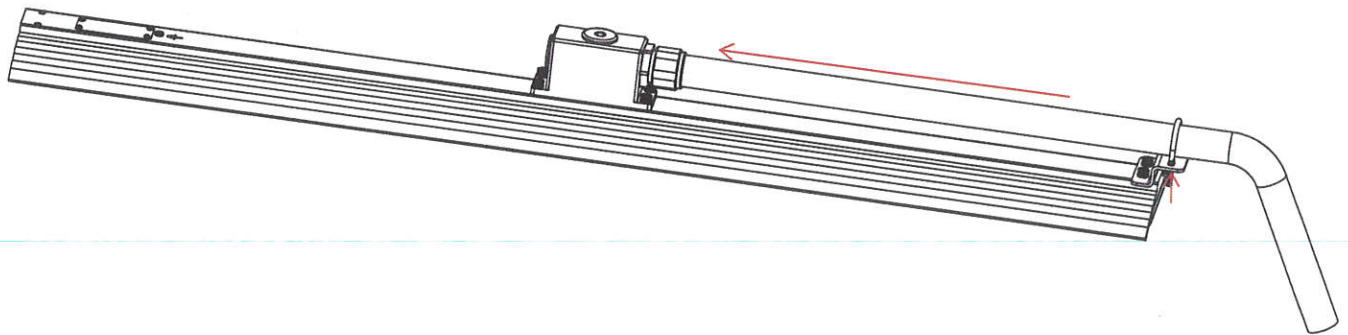
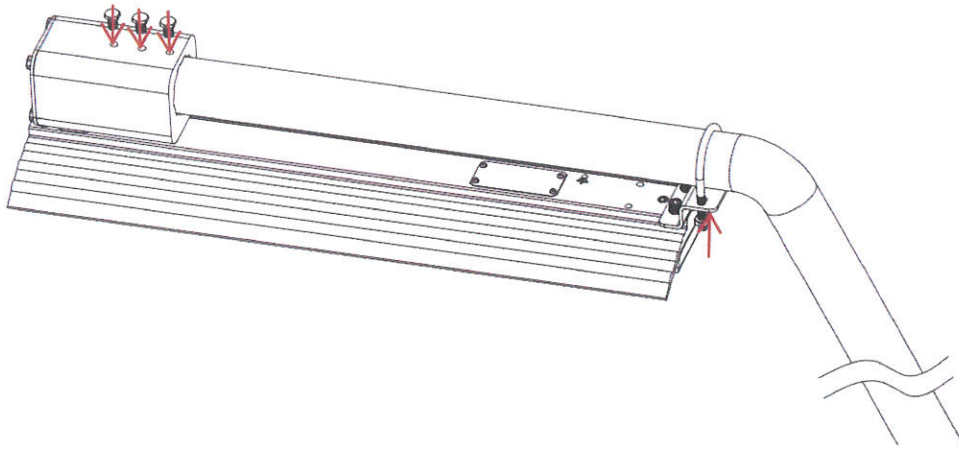


Figure 2



3.2.2 Street type electrical tube Mounting

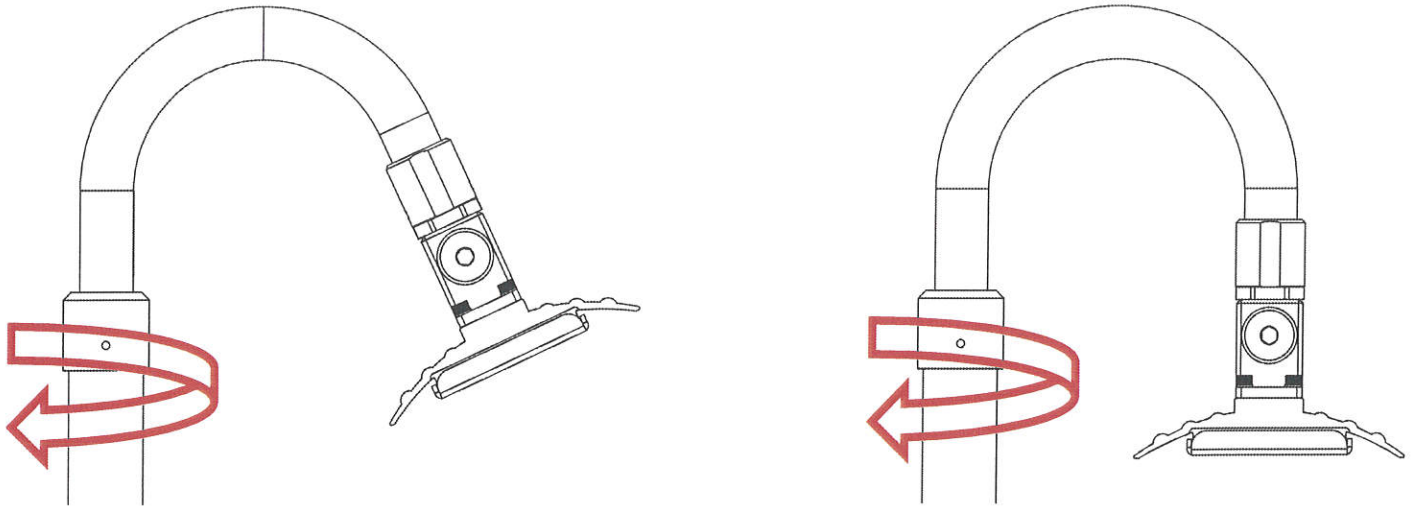
- ☞ Elbow through the pipe clip into the lamp fixing tube, and then fix the lamp above the tube
M8 screws and pipe clamp 1/4 nut lock.



3.2.3 Stanchion type(25° & 90°)

- ☞ The pipe thread with thread lock on the stanchion.

(After the installation is completed to confirm the electric tube is locking in the column.)



4.3 Putting into Service

Before putting into operating, it's necessary to ensure that :

- ☞ The lighting is correctly installed.
- ☞ The connection has been correctly made.
- ☞ The field wiring has been inserted correctly.
- ☞ The voltage is correctly.
- ☞ The lighting fixture needs to be charged for 48 hours and it can provide 120 minutes illumination after fully charged.
- ☞ Continuously charge the Product for 48 hours before first time installation.
- ☞ It may result damage and/or inactive to the battery in case the Product continuously discharges over a month ; Continuously charge the Product for 48 hours when the Product has continuously discharged for 30 days.

4. Maintenance

- To avoid personal injury, disconnect power to the light and allow the unit to cool down before performing maintenance.
- Perform visual, electrical, and mechanical inspections on a regular basis. The environment and frequency of use should determine this. However, it is recommended that checks be made at least once a year. Frequency of use and environment should determine this. It is recommended to follow an Electrical Preventive Maintenance Program as described in the National Fire Protection Association Bulletin NFPA No. 70B: Recommended Practice for Electrical Equipment Maintenance.
- The lens should be cleaned periodically to ensure continued lighting performance. Clean the lens with a clean, damp, non-abrasive, lint-free cloth. If this is not sufficient, use a mild soap or a liquid cleaner. Do not use an abrasive, strong alkaline or acid cleaner as damage may occur.
- Inspect the cooling fins on the luminaire to ensure that they are free of any contamination (i.e. excessive dust build-up). Clean with a non-abrasive cloth if needed.
- Electrically check to make sure that all connections are clean and tight.
- Mechanically check that all parts are properly assembled.
- Do not attempt to service the battery. The unit uses a sealed, Li-ion battery which requires no maintenance. For replacement, contact the factory.



5. Transport, Storage and Disposal

- Transport and storage is only allowed in the original packaging, on the way pointed out on the carton box.
- Transport – Shock-free in its original carton, do not drop, and handle carefully.
- Store – Store in a dry place in its original packaging.
- Disposal – Ensure environmentally friendly disposal of all components according to the legal regulations.

