

# L1403AS



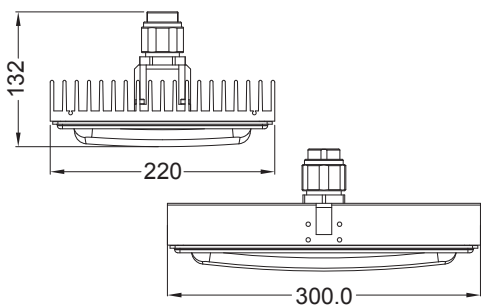
80W

Net Weight : 5kg



Field Installation

Certifications :



Dimension in Millimeters

## Applicable Location

- Zone 2
- Zone 21
- Zone 22

## Environmental Rating

- NEMA 6/6P
- IP 67/68

## Applicable Area

- Oil Refinery Complex
- Petrochemical Complex
- Painting Facility
- Transporting Nature Gas
- Transporting Liquefied Petroleum Gas
- Offshore Platform (Oil and Natural Gas)

## Electrical Ratings

Voltage	110V / 220V / 277V AC
Frequency	50Hz / 60Hz
Wattage (Amps)	65W / 75W / 80W / 95W (0.23A ~ 0.86A)
Ambient Temperature	-20°C ~ +40°C
Power Factor	> 0.9

## Raw Materials

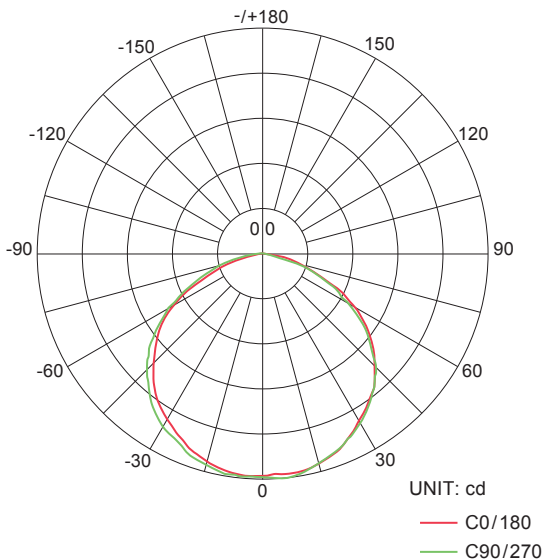
Housing	Aluminum Alloy
Screws	Stainless Steel
PC cover	IEC Standards impact-resistant > 4 Joule

In accordance with special application requirement, THT-EX is able to offer higher specifications on Explosion-proof LED lighting devices, includes

- Lighting can be started at low temperature  $-65^{\circ}\text{C}$
- Lighting can be used at temperature  $100^{\circ}\text{C}$
- IP rating IP68

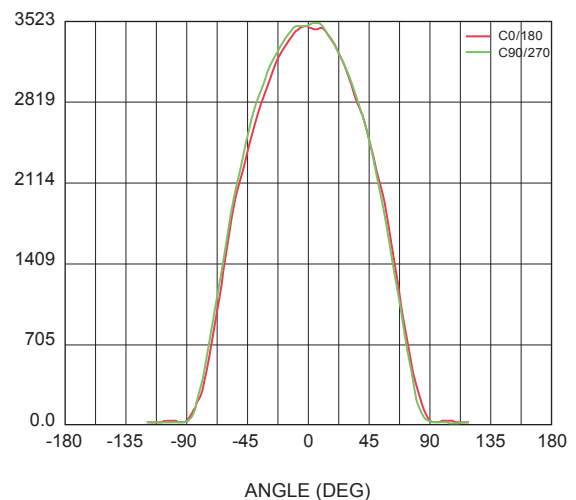
## Polar Luminous Intensity Distribution

Testing on transparent PC Cover



## Luminous Intensity Distribution Diagram

Testing on transparent PC Cover



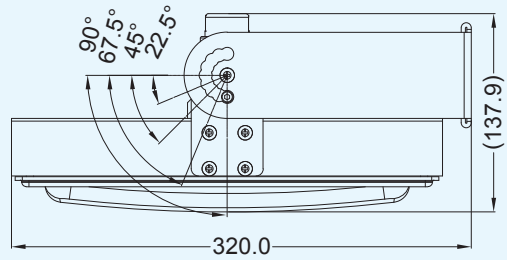
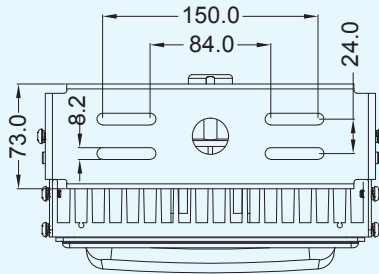
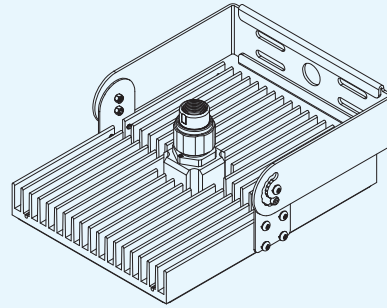
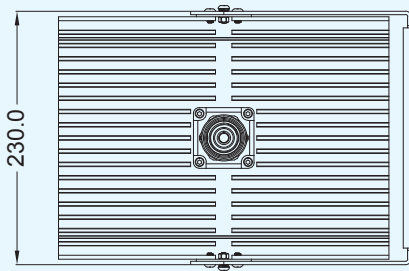
## Optical Information

CCT	3000K $\pm$ 10% ( Warm White ) 5000K $\pm$ 10% ( Cool White )
CRI	> 80 ( Warm White ) > 70 ( Cool White )
IES Files	Available upon request

## ● Standard Product

### Dimensions and Mounting(Mounting Code)

#### Wall Hanging Mount (WHT)

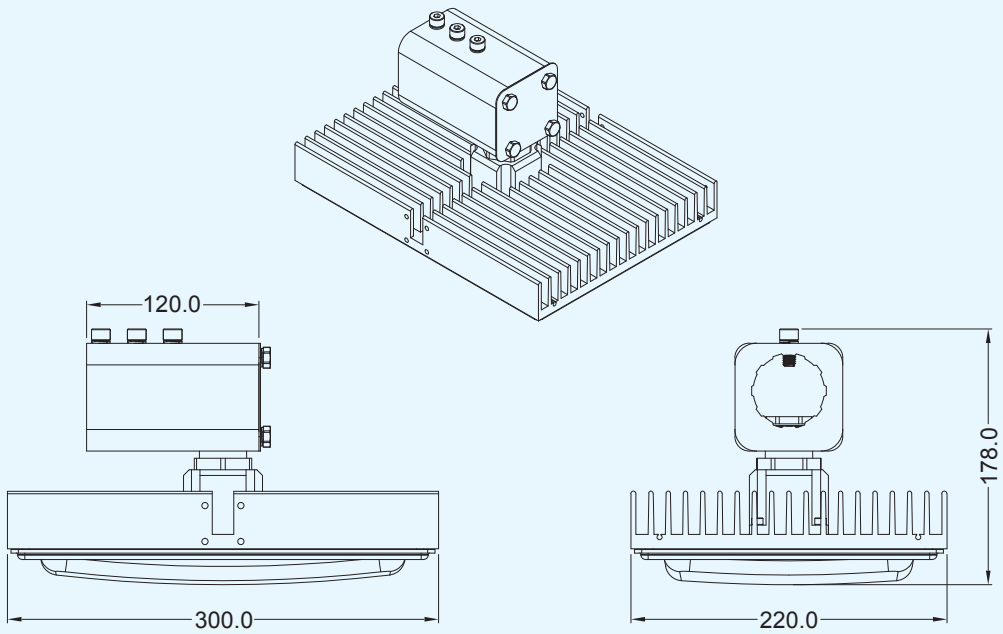


Night Illumination

## ● Standard Product


### Dimensions and Mounting(Mounting Code)

Street Light (SL)



## Part Number

• W.W. : 3000K±10% • C.W. : 5000K±10%

Model No.	Certifications	Watt.	Volt.	Color	Part Number
<b>L1403AS</b>	 Ex nR II T5 Gc X Ex tb IIIC T100°C IP67 Db X	65W	110V	W.W.	THTH1403ECKW*F5
			220V	C.W.	THTH1403ECKC*F5
		75W	110V	W.W.	THTH1403ECKW*G5
			220V	C.W.	THTH1403ECKC*G5
		80W	110V	W.W.	THTH1403ECKW*H0
			220V	C.W.	THTH1403ECKC*H0
		95W	110V	W.W.	THTH1403ECKW*I5
			220V	C.W.	THTH1403ECKC*I5
		277V			

Ordering information: Part number + Mounting code

\* — 1:110V 2:220V 9:277V