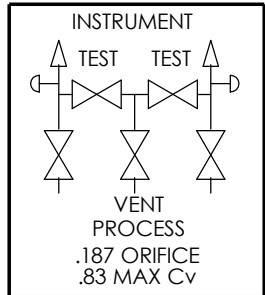
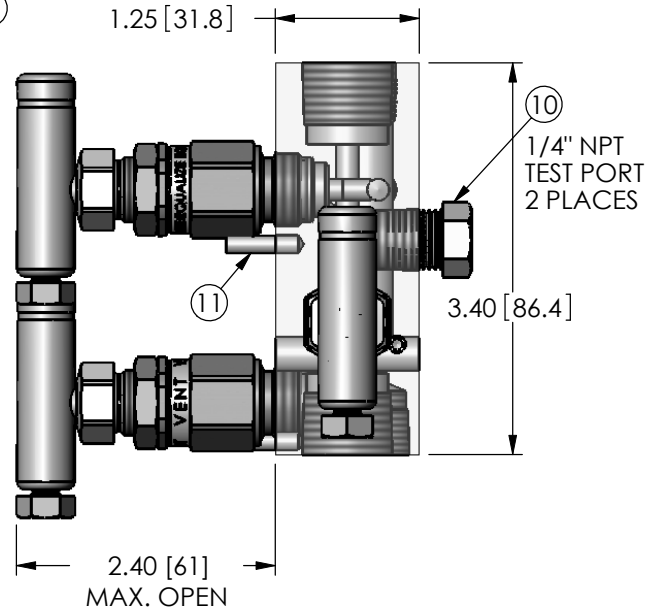
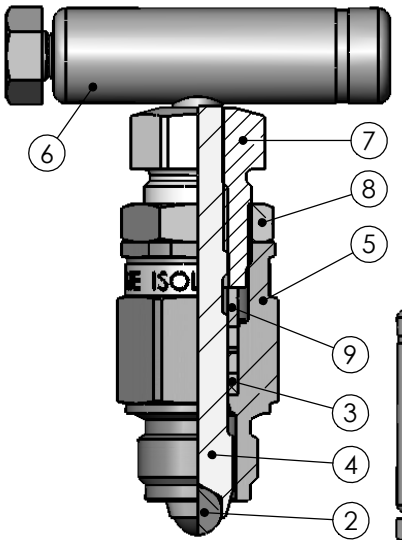
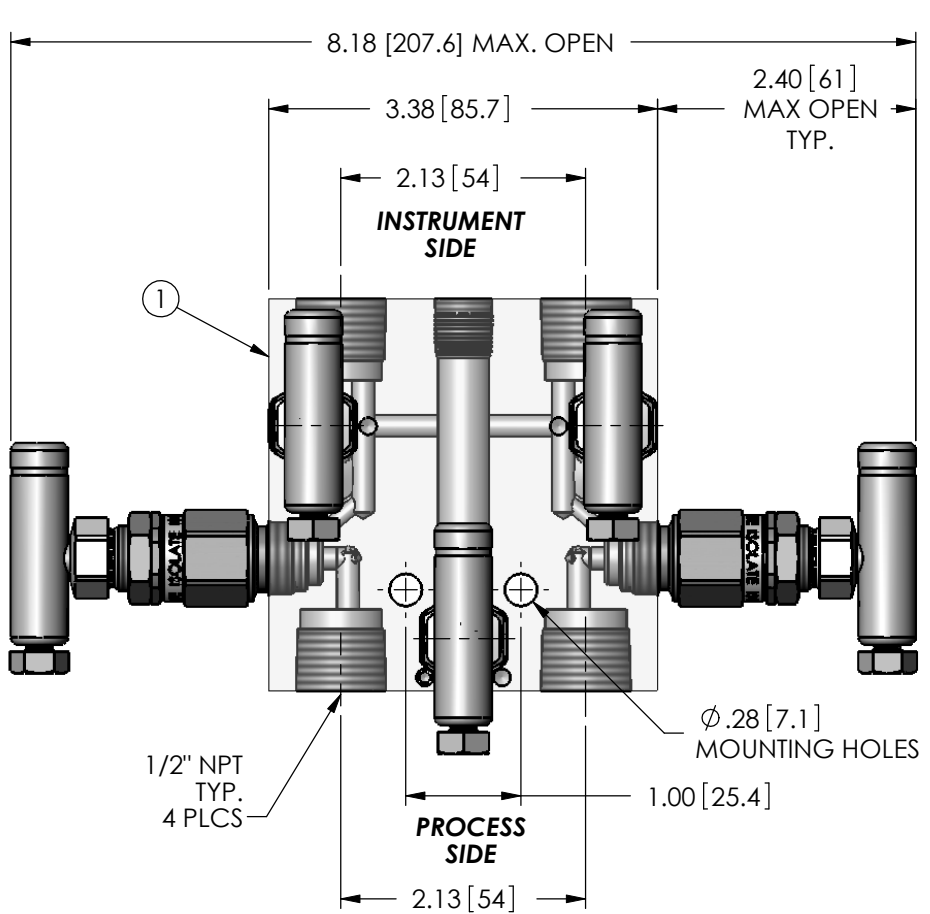


REVISIONS		
REV.	DATE	CO#
1	12/3/2007	28305



PRODUCT PART NUMBER		M-578C6P	M-578S6P	
NO.	DESCRIPTION	10,000 PSI @ 200°F 1,000 PSI @ 500°F MAX	10,000 PSI @ 200°F 1,000 PSI @ 500°F MAX	QTY.
1	MANIFOLD BODY	(C) <AZ> ASTM A108	(S) ASTM A479-316	1
2	BALL (1/4")	(6) 316 S.S.	(6) 316 S.S.	5
3	STEM SEAL	(P) TEFLON	(P) TEFLON	5
4	STEM	ASTM A479-316	ASTM A479-316	5
5	BONNET	<AZ> ASTM A105	ASTM A479-316	5
6	HANDLE ASSEMBLY	<AZ> ASTM A108	ASTM A582 18-8	5
7	PACKING ADJUSTER	<AZ> ASTM A105	ASTM A479-316	5
8	JAM NUT	<AZ> ASTM A105	ASTM A582-303	5
9	PACKING FOLLOWER	ASTM A479-316	ASTM A479-316	5
10	1/4" NPT HEX HD. PLUG	<AZ> ASTM A108	ASTM A593(18-8)	2
11	ROLL PIN	300 SERIES SS	300 SERIES SS	5

NOTES

1. DIMENSIONS IN [] ARE IN MILLIMETERS.
2. APPROX. WEIGHT 4.3 lbs. (1.95 kg.)
3. <AZ> INDICATES ALKALINE ZINC PLATED WITH DICHROMATE DIP.
4. <PO> INDICATES PHOSPHATE AND OIL.
5. <P0> AISI 1018 C.S. IS USED WHEN WELDED BODY CONNECTION ARE SPECIFIED.
6. 316 SS MANIFOLD/VALVE MEETS REQUIREMENTS OF NACE MR0175 (LATEST REV.) UP TO 140 °F

PGI RESERVES THE RIGHT TO CHANGE THE DESIGN, DIMENSIONS OR MATERIAL CONTENT OF OUR PRODUCTS WITHOUT PRIOR NOTIFICATION.



Lone Star

BY PGI

16101 VALLEN DRIVE HOUSTON, TX. 77041 (713) 466-0056 or 1-800-231-0233 FAX: (713) 744-9892

WIDE PATTERN PIPE X PIPE 5 VALVE MANIFOLD

APPD	DRAWING NO. & REVISION
SCALE NONE	M-578X6P r01

PGI EXTERNAL DOCUMENT

GENERAL PRODUCT DESCRIPTION