



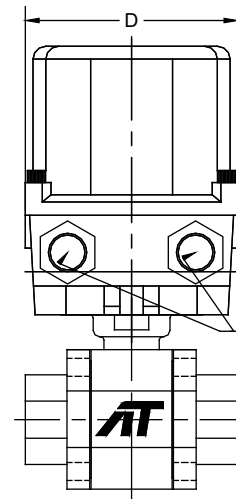
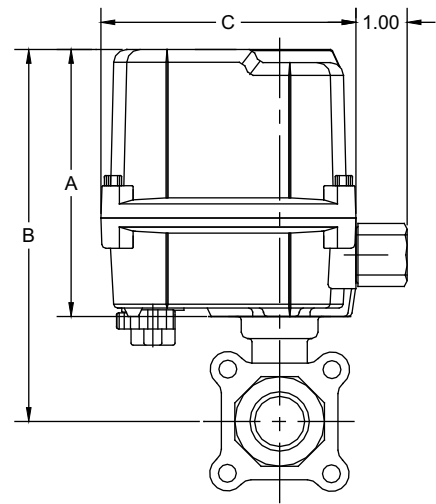
Electric Automated Ball Valve Package

Series 88 3-Piece Ball Valve

Full Port Valve
 1500 & 2000 psi WOG (by size)
 Available 1/4"-4"
 316SS OR WCB Body
 316SS Ball & Stem
 Belleville Washers,
 Double Chevron Packing,
 RTFE Seats Standard
 Threaded, SW or BW

STANDARDS

ANSI B16.34, B16.25, B1.20.1, B16.11
 API 6D, 598
 ISO 5211, 5209, 5752, 7/1, 261
 MSS PS25, PS72
 BS 5351, 6755-1, 6755-2



SERIES 88 Direct Mount

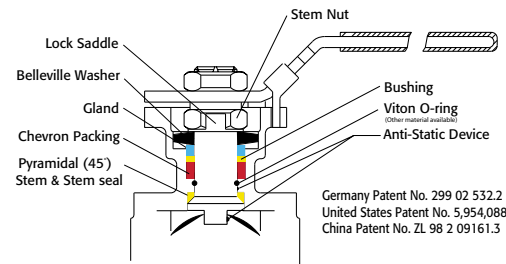
DIMENSIONS (IN)

VALVE SIZE	A	B	C	D	VALVE Cv
1/4"	5.24	6.90	4.94	4.08	7
3/8"	5.24	6.90	4.94	4.08	8
1/2"	5.24	6.90	4.94	4.08	15
3/4"	5.24	7.07	4.94	4.08	40
1"	5.24	7.55	4.94	4.08	70
1-1/4"	5.24	7.70	4.94	4.08	110
1-1/2"	5.24	8.35	4.94	4.08	250
2"	5.24	8.66	4.94	4.08	430
2-1/2"	9.25	13.53	6.69	10.16	600
3"	10.55	15.18	9.02	13.31	1100
4"	10.55	15.81	9.02	13.31	2000

1/2" NPT CONDUIT CONNECTION

ON-OFF	
SIZE	MODEL
1/4"	88-TX-025/WEA1-XX
3/8"	88-TX-038/WEA1-XX
1/2"	88-TX-050/WEA1-XX
3/4"	88-TX-075/WEA1-XX
1"	88-TX-100/WEA1-XX
1-1/4"	88-TX-125/WEA1-XX
1-1/2"	88-TX-150/WEA1-XX
2"	88-TX-200/WEA1-XX
2-1/2"	88-TX-250/WEB1-XX
3"	88-TX-300/WEC1-XX
4"	88-TX-400/WED1-XX

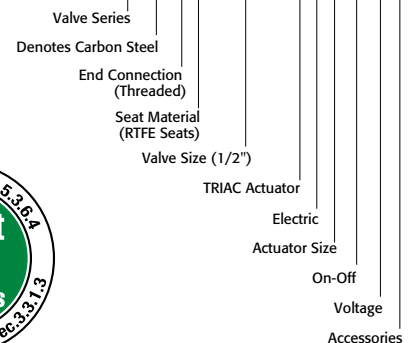
MODULATING	
SIZE	MODEL
1/4"	88-TX-025/WEA2-XX
3/8"	88-TX-038/WEA2-XX
1/2"	88-TX-050/WEA2-XX
3/4"	88-TX-075/WEA2-XX
1"	88-TX-100/WEA2-XX
1-1/4"	88-TX-125/WEA2-XX
1-1/2"	88-TX-150/WEA2-XX
2"	88-TX-200/WEA2-XX
2-1/2"	88-TX-250/WEB2-XX
3"	88-TX-300/WEC2-XX
4"	88-TX-400/WED2-XX



Germany Patent No. 299 02 532.2
 United States Patent No. 5,954,088
 China Patent No. ZL 98 2 09161.3

SAMPLE PART

88C-TX-050/WEA1-XX



OPTIONS

DESCRIPTION
24 VAC/24 VDC/220VAC
Feedback potentiometer

NOTE: Heater and thermostat standard (2) auxiliary switches standard
 Other options available - call for details
 Actuators are sized based on clean/clear fluid.

See valve part number matrix for complete part number and options.

050111-88EL



Triac Division
 11363 Deerfield Rd.
 Cincinnati, Ohio 45242
 PHONE (513) 247-5465
 FAX (513) 247-5462
 e-mail: sales@a-tcontrols.com
 www.a-tcontrols.com

Valve Options

Various Seat Materials

PTFE, RTFE, 50/50, 15% CFTE, Delrin PEEK, Hard Facing, UHMWPE, TFM-1600

Several hard face and metal-metal options

Gear Operators

Quarter-turn Gear Operators

Spring Return "Deadman" Handles

Oval handles, TEE Handles

Specials and Solutions

Steam Jackets

Stem Extensions

V-ported Control Valves

Multi-port Valve Solutions

Fugitive Emissions Bonnets (TSM's)

Oxygen Cleaning

Lockout Brackets

Vented Balls

"No Play" Mounting Kits

- **FM Approved Valves and Assemblies**



Triac Division
11363 Deerfield Rd.
Cincinnati, Ohio 45242

PHONE (513) 247-5465
FAX (513) 247-5462
e-mail: sales@a-tcontrols.com
www.a-tcontrols.com

050111-88

Other Products

Special Seats

Balls and Seal Designs



Steam Jacketed Valves



Floor Mounted Damper Drives



Limit Switches

Mounted on Manual Valves



Fusible Link Assemblies



180° Actuators



Lockout Mounting Kits



Stem Extensions



Special Multi-Port Valves



Dual Valve Assemblies

