



# Electric Automated Ball Valve Package

Series FD9  
ANSI 150# Flanged Ball Valve  
Direct Mount



Full Port Valve  
ANSI Class 150#  
Available 1/2" – 6"  
316SS or WCB Body  
316SS Ball & Stem  
Belleville Washers  
Chevron Packing  
RTFE Seats Standard  
Pyramidal Stem Design

### STANDARDS

Design	ANSI B 16.34
Face to Face	ANSI B 16.10
Flange Dimensions	ANSI B 16.5
Pipeline Valve	API 6D
Pressure Testing	API 598
Fire Testing	API 607 4th Edition, BS 5351
Mounting Pad	ISO 5211
Marking System for Valves	MSS SP-25
Material Certification	EN 10204
Quality Assurance	ISO 9001

**API 607 - 4th Edition  
CERTIFIED**

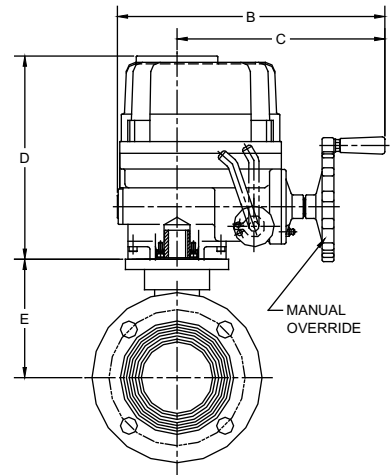
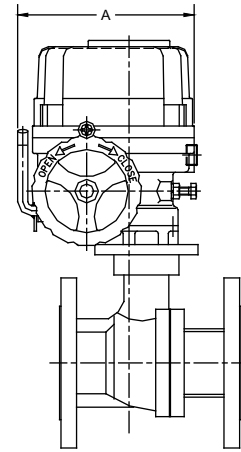


150# Flanged  
Firesafe Tested to API-607  
Direct Mount

### DIMENSIONS (IN)

VALVE SIZE	A	B	C	D	E
1/4"	5.94	4.09	N/A	5.24	1.84
3/4"	5.94	4.09	N/A	5.24	2.02
1"	5.94	4.09	N/A	5.24	2.31
1-1/2"	5.94	4.09	N/A	5.24	3.51
2"	5.94	4.09	N/A	5.24	3.80
2-1/2"	9.02	13.31	10.43	10.55	4.57
3"	9.02	13.31	10.43	10.55	5.22
4"	10.20	14.49	11.26	11.42	6.18
6"	11.69	16.14	12.09	12.99	8.28

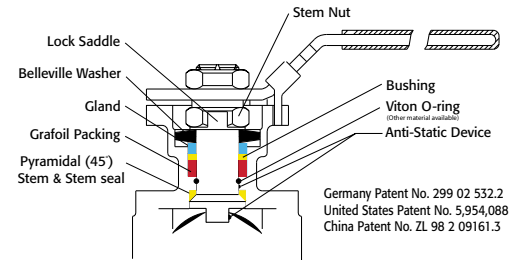
VALVE Cv
15
45
85
275
460
700
1100
2200
5150



**SERIES FD9 150# Flanged Direct Mount Firesafe**

ON-OFF	
SIZE	MODEL
1/2"	FD9-F1-050/WEA1-XX
3/4"	FD9-F1-075/WEA1-XX
1"	FD9-F1-100/WEA1-XX
1-1/2"	FD9-F1-150/WEA1-XX
2"	FD9-F1-200/WEA1-XX
2-1/2"	FD9-F1-250/WEC1-XX
3"	FD9-F1-300/WEC1-XX
4"	FD9-F1-400/WEE1-XX
6"	FD9-F1-600/WEH1-XX

MODULATING	
SIZE	MODEL
1/2"	FD9-F1-050/WEA2-XX
3/4"	FD9-F1-075/WEA2-XX
1"	FD9-F1-100/WEA2-XX
1-1/2"	FD9-F1-150/WEA2-XX
2"	FD9-F1-200/WEA2-XX
2-1/2"	FD9-F1-250/WEC2-XX
3"	FD9-F1-300/WEC2-XX
4"	FD9-F1-400/WEE2-XX
6"	FD9-F1-600/WEH2-XX



SAMPLE PART #  
**FD9C-F1-150/WEA1-XX**

Firesafe  
Valve Series  
Denotes Carbon Steel  
End Connection (150# Flanged)  
Seat Material (RTFE Seats)  
Valve Size (1-1/2")  
Triac Actuator  
Electric  
Actuator Size  
On-Off  
Voltage  
Feedback

### OPTIONS

#### DESCRIPTION

24 VAC/24 VDC/220VAC  
Feedback potentiometer

NOTE: Heater and thermostat standard  
(2) auxiliary switches standard  
Other options available - call for details  
Actuators are sized based on clean/clear fluid.  
See valve part number matrix for complete part number and options.



Triac Division  
11363 Deerfield Rd.  
Cincinnati, Ohio 45242  
PHONE (513) 247-5465  
FAX (513) 247-5462  
e-mail: sales@a-tcontrols.com  
www.a-tcontrols.com

# Valve Options

## Various Seat Materials

PTFE, RTFE, 50/50, 15% CFTE, Delrin PEEK, Hard Facing, UHMWPE, TFM-1600

Several hard face and metal-metal options

## Gear Operators

Quarter-turn Gear Operators

Spring Return "Deadman" Handles

Oval handles, TEE Handles

## Specials and Solutions

Steam Jackets

Stem Extensions

V-ported Control Valves

Multi-port Valve Solutions

Fugitive Emissions Bonnets (TSM's)

Oxygen Cleaning

Lockout Brackets

Vented Balls

"No Play" Mounting Kits

- **FM Approved Valves and Assemblies**



Triac Division  
11363 Deerfield Rd.  
Cincinnati, Ohio 45242

PHONE (513) 247-5465  
FAX (513) 247-5462  
e-mail: sales@a-tcontrols.com  
www.a-tcontrols.com

050111-FD9

# Other Products

## Special Seats

Balls and Seal Designs



## Steam Jacketed Valves



## Floor Mounted Damper Drives



## Limit Switches

Mounted on Manual Valves



## Fusible Link Assemblies



## 180° Actuators



## Lockout Mounting Kits



## Stem Extensions



## Special Multi-Port Valves



## Dual Valve Assemblies

