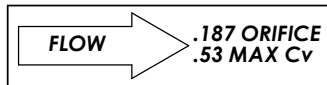
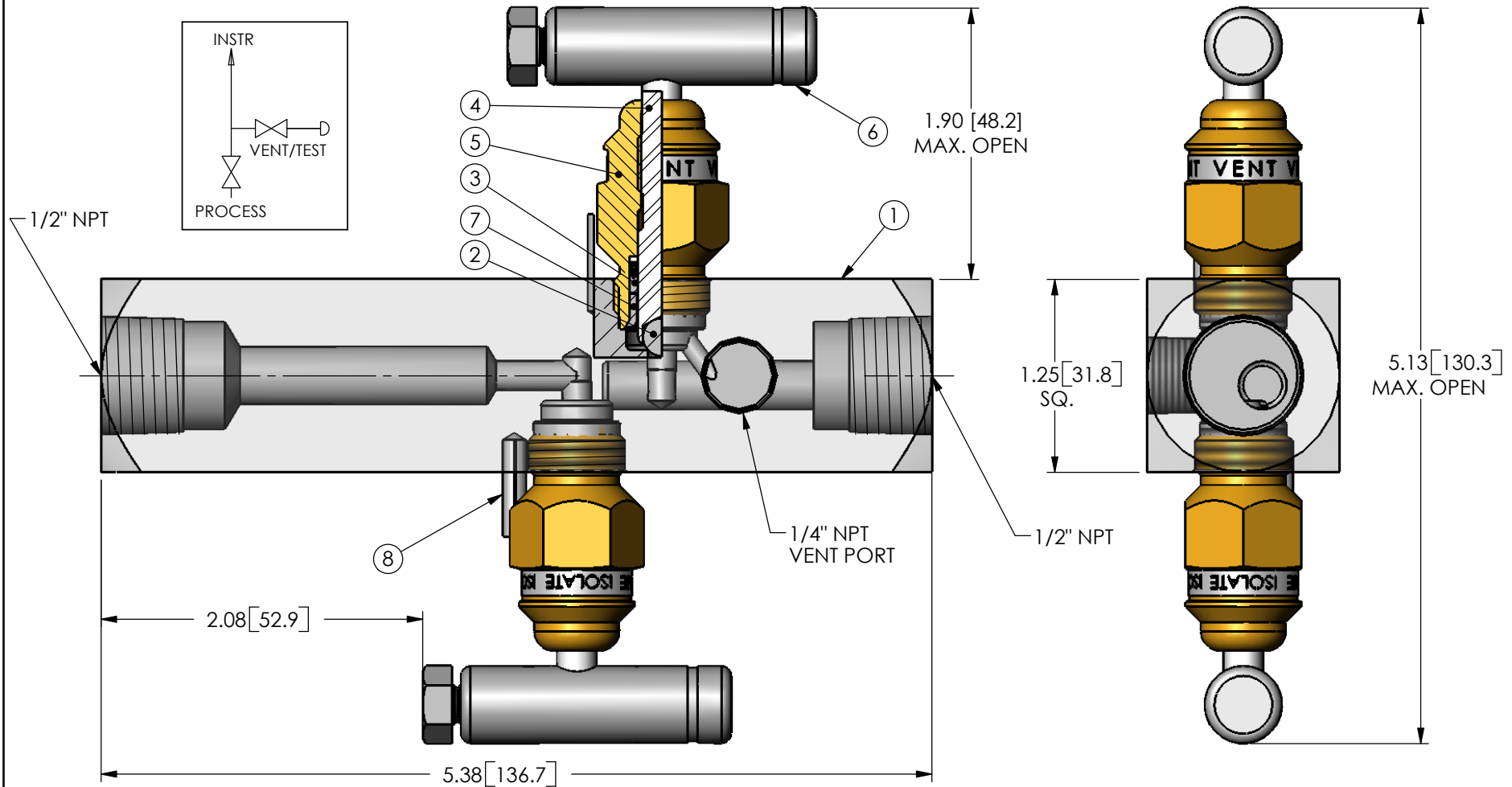


| REVISIONS | | |
|-----------|-----------|-------|
| REV. | DATE | CO# |
| 5 | 6/27/2005 | 23308 |



NOTES

1. DIMENSIONS IN [] ARE IN MILLIMETERS.
2. APPROX. WEIGHT 2.5 lbs. (1.14 kg.)
3. <AZ> INDICATES ALKALINE ZINC PLATED WITH DICHROMATE DIP.
4. <PO> INDICATES PHOSPHATE AND OIL.
5. <P0> AISI 1018 C.S. IS USED WHEN WELDED BODY CONNECTION ARE SPECIFIED.
6. 316 SS MANIFOLD/VALVE MEETS REQUIREMENTS OF NACE MR0175 (LATEST REV.) UP TO 140°F

PGI RESERVES THE RIGHT TO CHANGE THE DESIGN, DIMENSIONS OR MATERIAL CONTENT OF OUR PRODUCTS WITHOUT PRIOR NOTIFICATION.

PGI International

16101 VALLEN DRIVE (713) 466-0056 or 1-800-231-0233
HOUSTON, TX. 77041 FAX: (713) 744-9892

2 VALVE BLOCK AND BLEED 1/2" FNPT X 1/2" FNPT

| | |
|------------------------------------|------------------------|
| APP'D | DRAWING NO. & REVISION |
| SCALE NONE | V-626XCT r05 |
| PGI EXTERNAL DOCUMENT | |
| GENERAL PRODUCT DESCRIPTION | |

| PRODUCT PART NUMBER | | V-626CCT | V-626SCT | | |
|---------------------|-----------------|---|---|------|--|
| NO. | DESCRIPTION | 10,000 PSI @ 200°F 8,000 PSI @ 450°F MAX | 10,000 PSI @ 200°F 8,000 PSI @ 450°F MAX | QTY. | |
| 1 | VALVE BODY | (C) <AZ>ASTM A108-1215 | (S) ASTM A479-316 | 1 | |
| 2 | BALL (1/4") | (C) CARBIDE BALL | (C) CARBIDE BALL | 2 | |
| 3 | STEM SEAL | (I) TEFLON | (I) TEFLON | 2 | |
| 4 | STEM | ASTM A479-316 | ASTM A479-316 | 2 | |
| 5 | BONNET | <AZ> ASTM A108-1215 | ASTM A479-316 | 2 | |
| 6 | HANDLE ASSEMBLY | <AZ>ASTM A108 | ASTM A582 18-8 | 2 | |
| 7 | SEAL RETAINER | ASTM A479-316 | ASTM A479-316 | 2 | |
| 8 | ROLL PIN | 300 SERIES SS | 300 SERIES SS | 2 | |